

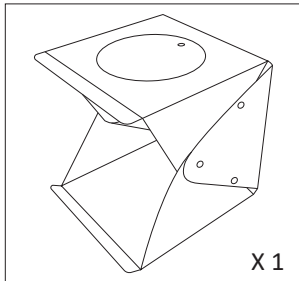
# 148x210mm

## anko

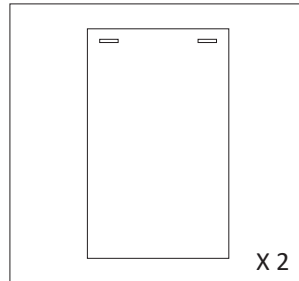
Instruction manual

Keycode: 43076918  
STUDIO TENT BOX

### Product components:

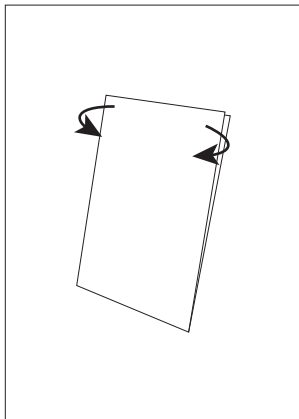


Main Studio box

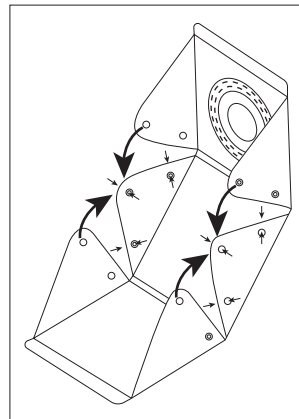


Background color :black,white.

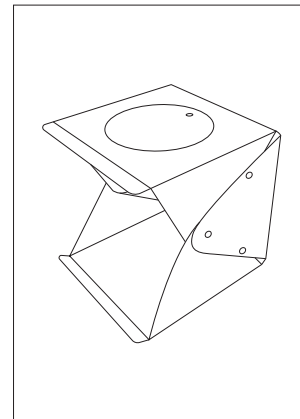
### Unfolding steps:



The studio can be unfolded easily from the edge of the opening.

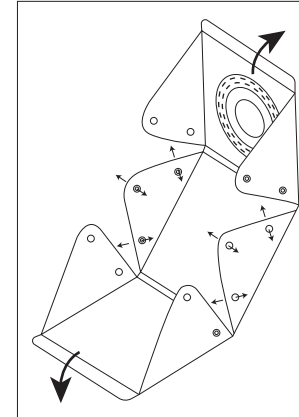


Putting the button of three corners into the circular hole ,you can connect them easily.

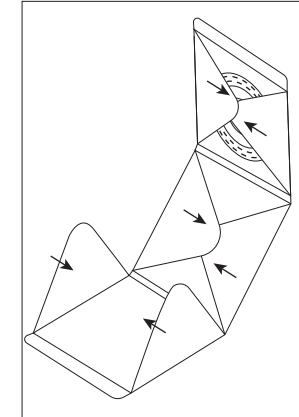


Adjusting the angle,hang up the background and connect to the power supply.Then your can enjoy shooting.

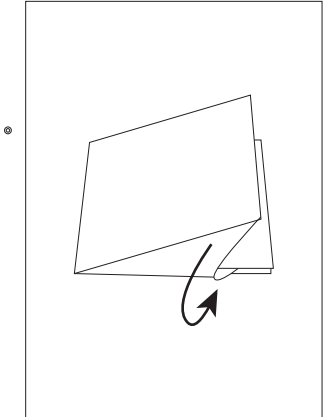
### Folding steps:



Pushing the button out of the circular hole, pulled from the edges of the top and bottom, the studio can be unfolded easily.



Folding the top and middle part, and put the background into the studio box.



Folding the bottom side and put it into the gap of the folded parts .Then put it back into the colorbox.

### NOTE:

1.Studio products are designed for portability. It is very portable and easy to operate at any time.

However, due to its size and portability of the design, the number of light sources and the scope of the control limits, it is only use of portable simple shooting equipment.