

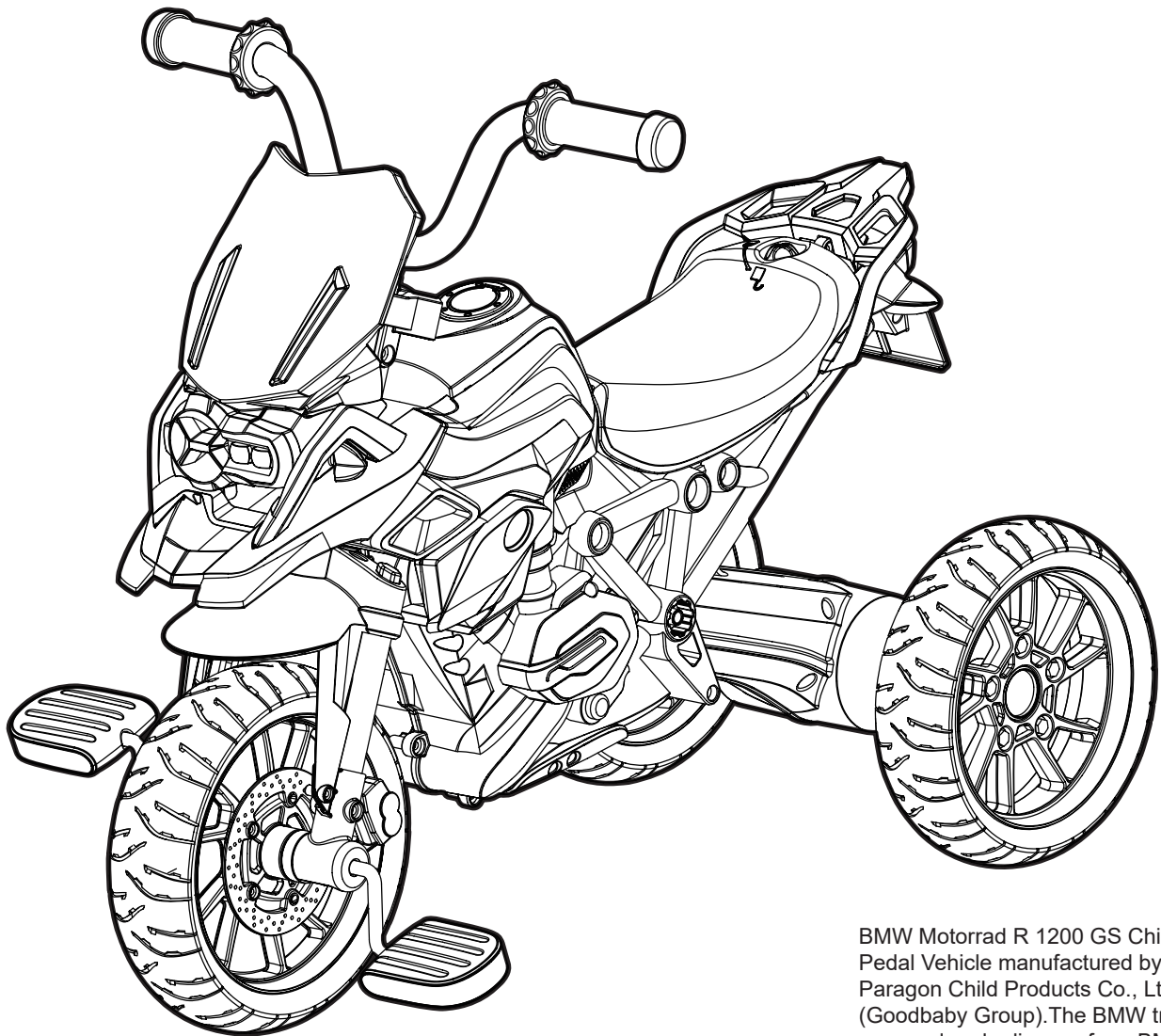


ROLLPLAY

BMW Motorrad R 1200 GS Children Pedal Vehicle

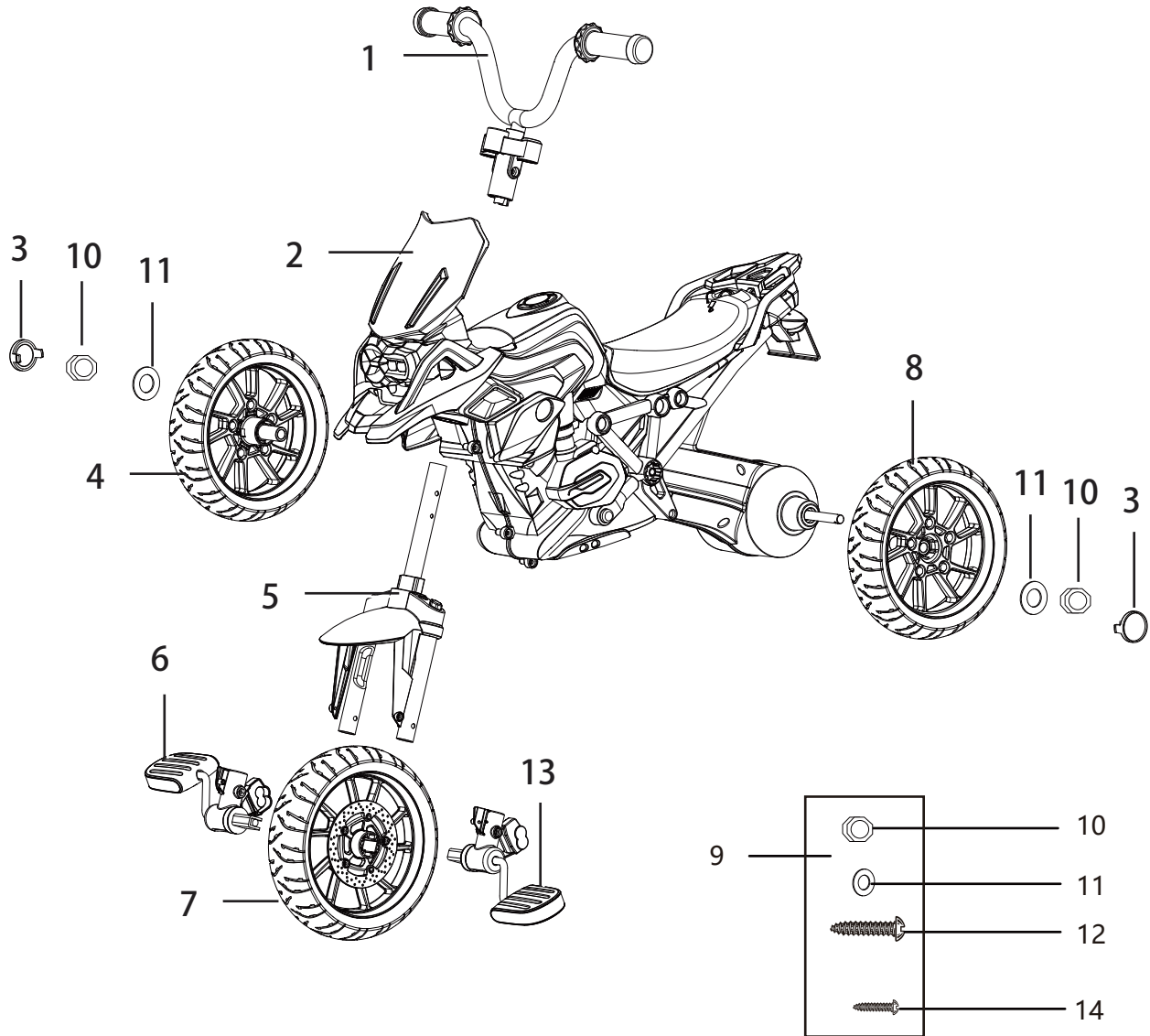


If you are experiencing any difficulties with this product, please contact Hunter Products Customer Service at [www. electricrideon.com.au](http://www.electricrideon.com.au) or Toll Free Number 1800 224 094 for service assistance.



BMW Motorrad R 1200 GS Children Pedal Vehicle manufactured by Paragon Child Products Co., Ltd. (Goodbaby Group). The BMW trademarks are used under license from BMW AG. BMW name and associated logos are trademarks of BMW AG.

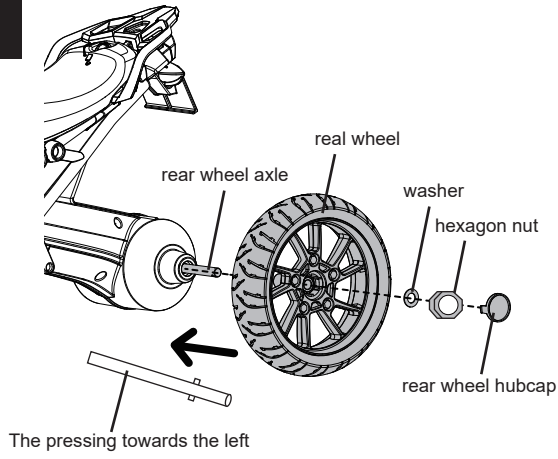
Parts list



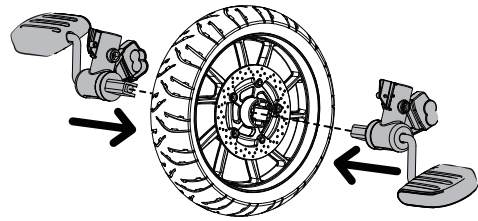
1.handle bar.....x1
 2.chassis.....x1
 3.real axle cover.....x2
 4.right rear wheelx1
 5.front forkx1
 6.right pedal componentx1
 7 .front wheelx1

8.left rear wheel.....x1
 9.blister box x1
 10.hexagon nut.....x2
 11.washerx2
 12.self tapping screwx2
 13.left pedal componentx1
 14.Self tapping screw.....x2

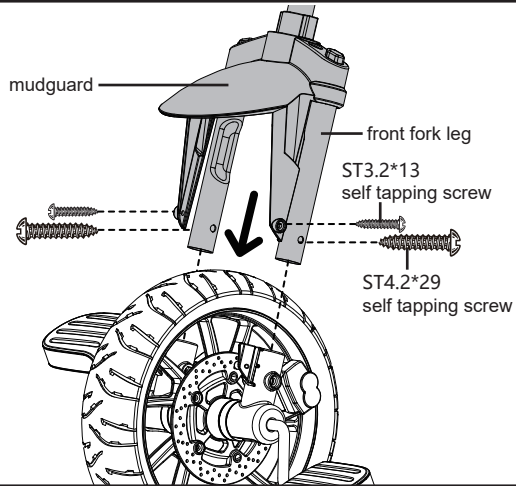
1



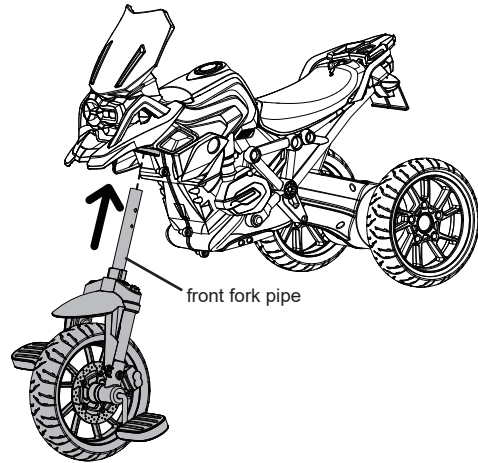
2



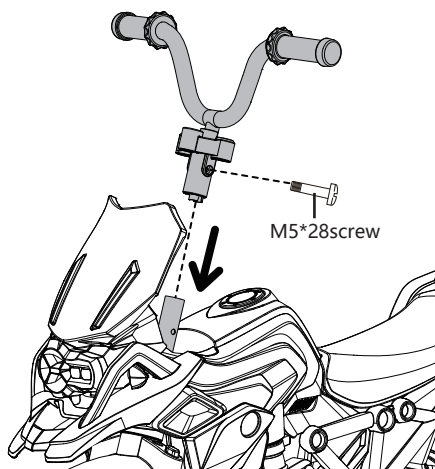
3



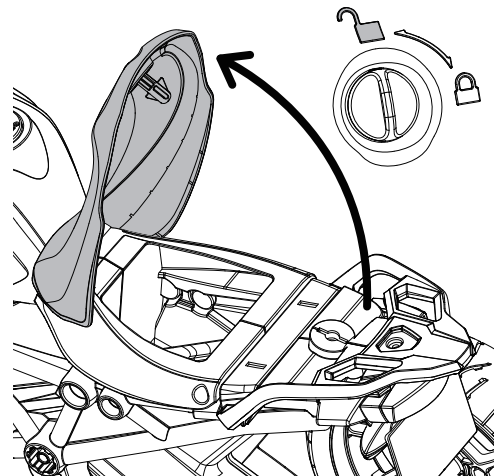
4



5



6





WARNING

Safety information Important information

1. Please remember that the natural playfulness and temperament of children may result in unforeseeable situations and dangers, for which the manufacturer cannot be held responsible. You should therefore instruct the children or users of how to use the BMW Vehicle correctly, draw their attention to the possible dangers and keep children under supervision at all times.
2. BMW AG cannot accept any liability for accidents of any kind that are the user's own fault or resulting from the user's failure to adhere to the following warning instructions.
3. The BMW Vehicle is not approved for road use.
4. It should therefore not be used on public roads, paths or the like.
5. Children must wear closed shoes. Not to be used in traffic.
6. The BMW Vehicle should not be used near stairs or sloping land.
7. Nearby stairs must be secured to ensure that they do not present any danger to the children.
8. The BMW Vehicle should not be used on icy or slippery ground.
9. Do not store the BMW Vehicle close to heat sources.
10. The BMW Vehicle should not be used in water.
11. The BMW Vehicle is only designed to carry a single child.
12. Do not attach it to other vehicles.
13. The rider should always wear a helmet that is properly fastened.
14. The BMW Vehicle is only suitable for children between 3 and 5 years of age.
15. The maximum payload of the vehicle is 22kg.
16. Store the BMW Vehicle in a secure location. Do not leave it outside overnight.
17. Keep small parts that can be swallowed and plastic bags out of the reach of children. Danger of suffocation.
18. Before starting assembly, check that all parts are present. If any parts are missing, please contact the dealer from which you purchased the vehicle.
19. Keep the incompletely assembled vehicle out of the reach of children since it may contain sharp edges, pointed corners and small parts.
20. Please retain all packaging for further information. This toy is not suitable for children under 3 years of age due to small parts.
21. Do not activate the vehicle unless you are seated and in a safe, outdoor environment suitable for riding. There are additional hazards of using the toy in areas other than private grounds.
22. The toy shall be used with caution since skill is required to avoid falls or collisions causing injury to the user and third parties. Continuous adult supervision required; never use near motor vehicles; never use near streets, swimming pools, hills, steps, or sloped driveways.
23. Adult Assembly required.
24. Never allow more than one rider.

1. Assemble Rear Wheel:(fig1)

Insert the rear wheel axle into the chassis and insert the left rear wheel, washer, hexagon nut into the rear axle in the order shown. Then, cover the rear wheel hubcap. Follow the same procedures to assemble the right rear wheel.

2. Assemble Pedal Component:(fig2)

Connect the left side pedal into the left square hole of the front wheel and insert the right side pedal into the right square hole of the front wheel.

3. Assemble front fork:(fig3)

Insert the right and left leg of front fork (the mudguard should face forward) into the connected hole, please pay attention that the hole of two sides must be in alignment. Use ST4.2*29 self tapping screw to tighten the connecting part and hole closely (the tighten torque is 1.5 N-m), and then fix the mudguard and front fork connecting part with ST3.2*13 self tapping screw for fastening. (the tighten torque is 1.5N-m).

4. Assemble front wheel component:(fig4)

Insert the stand pipe of front fork (the mudguard should face forward) into the fixing hole in front of the chassis.

5. Assemble handle bar:(fig5)

Remove the M5*28 screw from the handle bar component first and insert the stand pipe of the handle bar into the stand pipe (pay attention to the assemble direction of the handle bar), use M5*28 screw for fastening (the tighten torque is 2.5N-m).

6. Using the seat:(fig6)

Rotate the button on the seat to the open position, the seat can be upturned and the following space under the seat also can be used as a storage box.



Care and maintenance

The wheel bushings and drive shaft should be lubricated with a few drops of oil four times a year.

Check all the parts at regular intervals for signs of wear. Check the screw connections for a secure fit. To maintain the high safety level, worn parts must be replaced immediately and the vehicle not used until it has been repaired.

You can obtain spare parts from Hunter products.