

anko

Cordless Water Kettle

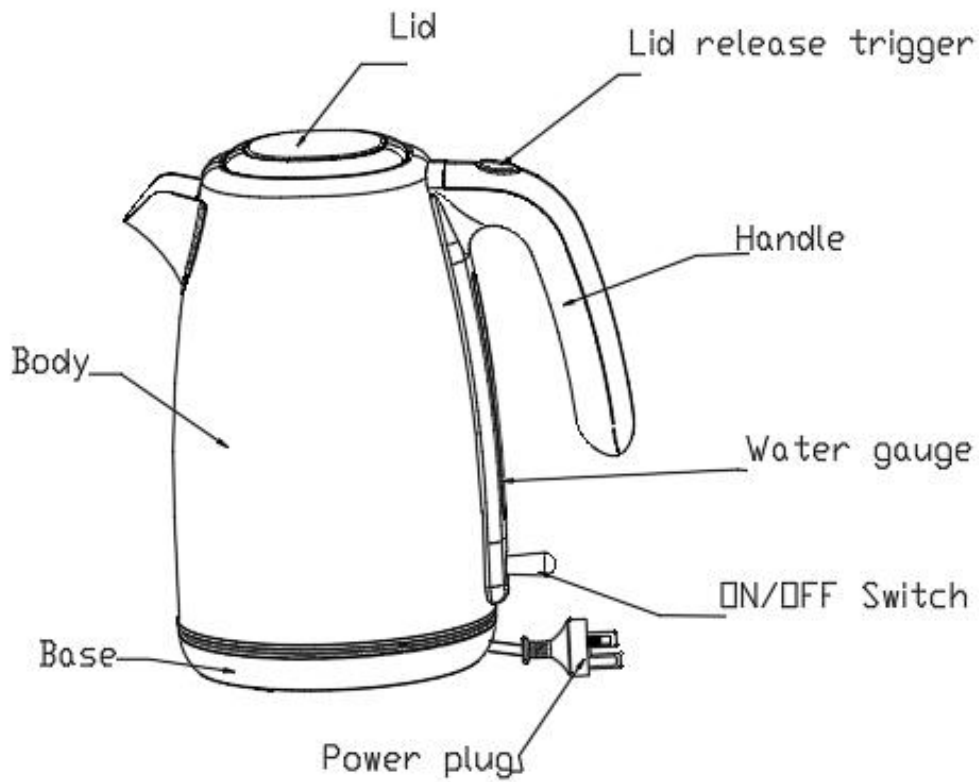
LD-K3041A

User Manual



**PLEASE READ AND SAVE THESE
INSTRUCTIONS FOR FUTURE REFERENCE**

PARTS DESCRIPTION



TECHNICAL DATA

Specifications:

Voltage: 220-240V~

Frequency: 50-60Hz

Wattage: 1850-2200W

Rated Capacity: 1.7L

--SAFETY INSTRUCTIONS--

Intended use

- * The kettle is intended solely for boiling water. Heating milk, carbonated drinks or other liquids will cause malfunction or damage the appliance.
- * The appliance is intended for household use only and not suitable for commercial purposes.

DANGER to children and infirm persons

- * This appliance is not intended for use by persons (including children) with reduced physical, sensory or mental capabilities, or lack of experience and knowledge, unless they have been given supervision or instructions concerning use of the appliance by a person responsible for their safety.
- * Children should be supervised to ensure that they do not play with the appliance.

IMPORTANT! Keep packing material out of reach of young children. There is a risk of suffocation.

- * This appliance is intended to be used in household and similar applications such as:
 - staff kitchen areas in shops, offices and other working environments
 - farm houses
 - by clients in hotels, motels and other residential type environments
 - bed and breakfast type environments

CAUTION: Do not operate the kettle on an inclined plane. Do not operate the kettle unless there is water above the minimum water level mark. Do not move while the kettle is switched ON.

CAUTION: To prevent damage to the appliance do not use alkaline cleaning agents when cleaning, use a soft damp cloth and a mild detergent.

DANGER due to electricity

- * If the supply cord is damaged, it must be replaced by a qualified electrician in order to avoid a hazard or the product must be disposed.
- * The power base, plug and mains cord must not come into contact with water or other liquids. This could result in electric shock. You should therefore, for example, not place the kettle near a sink. Do not use the kettle outdoors exposed to weather.
- * The appliance never be immersed in water or other liquids. Water must not be allowed to come into contact with the electric parts from underneath.
- * Do not use the appliance when your hands are wet.
- * The kettle must only be connected to a properly installed and earthed wall socket with a mains voltage that matches the "Technical specifications" of the appliance.
- * Use of extension cords is not recommended.
- * Never leave the appliance unattended while in use.
- * Keep the appliance and mains cord away from sources of heat such as cooking plates or open gas flames. This could cause melting.
- * Keep the mains power cord away from sharp work surface or edges to prevent damage to the cord.
- * Unplug the kettle from mains power, ...
 - ... if an abnormality occurs during use,
 - ... if you are not going to use it for a prolonged period,
 - ... during thunderstorms and
 - ... before cleaning it.

When doing so, always pull from the plug, not the mains cord.

- * Do not use the appliance if the kettle, base or mains cord show any visible sign of damage.
- * Do not make any modifications to the appliance and its mains cord or change the connection cable yourself.

Warning - risk of burns / scalding

- * Always place the water kettle on a solid and even surface.
Ensure that it cannot slip or be dropped and that the power cord does not hang down.
- * The kettle becomes hot while in use. Do not move the kettle during operation and do not pull on the mains cord. Only hold/lift the hot kettle by its handle.
- * Contact with rising steam can cause scalding! Make sure the lid is always firmly closed and do not open it while water is boiling or while pouring water out.
- * Do not fill the container with less than (0.5 litres) or more than (1.7 litres) of water. If there is not enough water in the kettle, the appliance may overheat.
- * Be sure that the kettle is switched OFF before taking it off the power base.
- * The kettle is only to be used with the power base provided.
- * If the kettle is overfilled, boiling water maybe ejected.
- * The heating element and surfaces are subject to residual heat after use.
- * **WARNING – Avoid water spillage on the electrical connectors.**
- * **WARNING – Potential injury from misuse.**
- * **WARNING – Do not remove the lid while the water is boiling.**

IMPORTANT!

- * Take care that any steam escaping from the appliance cannot damage wall paper, wall cabinets or other items. Turn the spout away from furniture and walls.
- * Do not use caustic, aggressive or abrasive cleaning products for cleaning. Keep hard items away from the appliance.
- * Although the kettle is protected from boiling dry, it must never be operated without water.
- * If the overheat cut-out switch switches OFF the kettle to prevent overheating and boiling dry, proceed as follows:
 - Take the kettle from the base.
 - Allow the kettle to cool down for at least 15 minutes before refilling it with water and replacing the kettle back on the power base.
- * Only use the kettle with the power stand provided.

* Furniture today is often coated with a wide range of varnishes and plastics and is treated with various protective substances. Some of these products may contain substances that react adversely with the rubber feet on the power base, soften them and cause staining on the surface. Therefore, we recommend placing a non-slip mat under the rubber feet of the kettle.

--USE--

Unpacking

DANGER to children- danger to life due to suffocation/swallowing

Keep the packing material out of children's reach. Dispose of it immediately.

- * Carefully remove all parts from the packaging and check that no parts are missing or possibly damaged.
- * Remove all packaging material.

First time use

IMPORTANT! during the below process DO NOT fill the kettle more than the min (0.5L) mark on the kettle. Filling above the min. mark will cause over boil and spillage out of the spout.

To ensure a long service-life of the water kettle, proceed as follows before using it for the first time:

1. Fill the kettle with water and add vinegar in a ratio of 1:3 (1 part vinegar / 3 parts water).

Note: Mix the solution in a separate bowl or container and then fill the kettle up to the Min. (0.5L) mark.

2. Bring to a boil (see Boiling water), then pour away.
3. Allow the kettle to cool down and then refill it fresh water, boil the water and then pour it away.



To avoid scale deposits, descale the water kettle at regular intervals (after about every 15th use) as described in the section "Descaling".

Boiling water


WARNING: Risk of scalding from hot water

- * The kettle and its lid become hot while in use. Do not touch them.
 - * The lid must be tightly closed during the boiling process. It must not be opened while pouring out water. Allow the appliance cool down before opening the lid.
 - * Do not fill the water container with less than MIN. (0.5L) or more than MAX. (1.7L) of water.
1. Press the lid release trigger. The lid opens automatically.

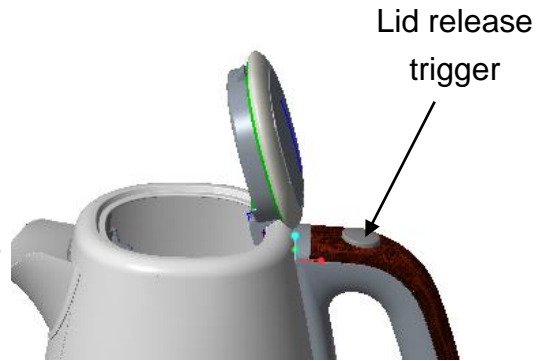
2. Fill the kettle with the amount of water required.

You can check the filling level on the indicator.

3. Press the front of the lid down firmly to close it.

 Make sure that the lid is closed properly, otherwise the water kettle may not switch OFF

after boiling.



4. Fully unwind the power cord and run it through the cable guide channel on the power base.

5. Plug the mains cable into an earthed socket that is within easy reach.

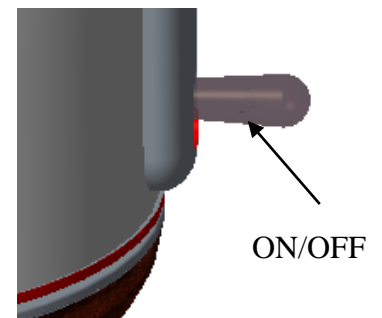
6. Place the kettle on the power base.

7. Set the On/Off switch to On (I).

The control white lamp will light up to indicate that the kettle is ON.

When the water is boiling, the kettle switches OFF automatically and the control white lamp will go out.

8. If you wish to stop heating the water before it boils, set the On/Off switch to Off (0).




WARNING: Risk of scalding from hot water

* Be sure that the water kettle is switched OFF before taking it off the power base.

9. After the water has come to a boil, wait a moment, until the water has stopped simmering.

Then remove the kettle from the water base.

10. Pour the water out slowly to avoid splashing. Do not open the lid while pouring out the water.

 * The sieve insert in the spout prevents any larger particles of scale being poured out.
* Do not re-boil stale water. Pour it away and refill with fresh water for boiling.

-- CLEANING AND CARE --

DANGER– risk of electric shock

* Remove the mains plug from the wall socket before cleaning the kettle.

* The power base, plug and mains cord must not come into contact with water or other liquids.

* The water container must not be immersed in water.

* The product and its parts must not be cleaned in the dishwasher.

IMPORTANT! Damage to exterior

* Do not use caustic, aggressive or abrasive cleaning products for cleaning the kettle exterior.

Cleaning

1. Remove the mains plug from the socket and let the water kettle cool down completely.
2. Wipe the base and power cord with a dry cloth.
3. Wipe the outside of the jug with a slightly moistened cloth.
4. Pull the sieve out of the spout.
5. Rinse it under running hot water.
6. Slide the sieve into the spout as far as it will go.

Descaling

IMPORTANT! during the below process DO NOT fill the kettle more than the min (0.5L) mark on the kettle. Filling above the min. mark will cause over boil and spillage out of the spout.

The kettle must be descaled at regular intervals, especially if the power base is visibly encrusted with lime scale. Regular descaling saves energy and increases the service life of the kettle.

For ecological reasons, we recommend using a three-to-one (3:1) solution of water and vinegar or citric acid to descale the kettle.

Note: Mix the solution in a separate bowl or container and then fill the kettle up to the Min. (0.5L) mark.

1. Let the solution soak in the kettle for about an hour, and then bring it to the boil.
2. Thoroughly rinse out the kettle with fresh water.

Alternatively, you may use commercially available kettle cleaning solutions. Please follow the instructions provided with the cleaning solution.

12 Month Warranty

Thank you for your purchase from Kmart.

Kmart Australia Ltd warrants your new product to be free from defects in materials and workmanship for the period stated above, from the date of purchase, provided that the product is used in accordance with accompanying recommendations or instructions where provided. This warranty is in addition to your rights under the Australian Consumer Law.

Kmart will provide you with your choice of a refund, repair or exchange (where possible) for this product if it becomes defective within the warranty period. Kmart will bear the reasonable expense of claiming the warranty. This warranty will no longer apply where the defect is a result of alteration, accident, misuse, abuse or neglect.

Please retain your receipt as proof of purchase and contact our Customer Service Centre on 1800 124 125 (Australia) or 0800 945 995 (New Zealand) or alternatively, via Customer Help at Kmart.com.au for any difficulties with your product. Warranty claims and claims for expense incurred in returning this product can be addressed to our Customer Service Centre at 690 Springvale Rd, Mulgrave Vic 3170.

Our goods come with guarantees that cannot be excluded under the Australian Consumer Law. You are entitled to a replacement or refund for a major failure and compensation for any other reasonably foreseeable loss or damage. You are also entitled to have the goods repaired or replaced if the goods fail to be of acceptable quality and the failure does not amount to a major failure.

For New Zealand customers, this warranty is in addition to statutory rights observed under New Zealand legislation.

anko

**Toaster
LD-T7016A
User Manual**



**PLEASE READ AND SAVE THESE
INSTRUCTIONS FOR FUTURE REFERENCE**

IMPORTANT SAFEGUARDS

When using electrical appliance, basic safety precautions should always be followed including the following:

1. Please read all instructions before operating and retain for future reference.
2. Make sure that your outlet voltage corresponds to the voltage stated on the rating label of the toaster.
3. Do not touch hot surface. Use handles or knobs only.
4. To protect against electrical shock, do not immerse cord, plug, or any part of the toaster in water or other liquid.
5. This appliance is not intended for use by persons (including children) with reduced physical, sensory or mental capabilities, or lack of experience and knowledge, unless they have been given supervision or instructions concerning use of the appliance by a person responsible for their safety.
6. Children should be supervised to ensure that they do not play with the appliance.
7. Unplug unit from outlet when not in use and before cleaning.
8. If the supply cord is damaged, it must be replaced by qualified electrical person in order to avoid a hazard, or the product must be disposed.
9. Do not let the cord hang over edge of table or counter or touch hot surface. Allow the appliance to cool before wrapping cord around base for storage.
10. Do not place on or near a hot gas or electric burner, or in a heated oven.
11. Do not use the appliance for other than its intended use. Do not use outdoors.
12. Do not leave the appliance unattended when in use.
13. Do not use the toaster without the slide out crumb tray in place. The crumb tray should be cleaned regularly. Do not allow crumbs to build up in the tray.
14. Do not use this appliance with any foodstuff product containing sugar content or with products containing jam or preserves.
15. Oversize food, metal foil packages or utensils must not be inserted in the toaster as they may cause fire or electric shock.

CAUTION: The bread may burn, therefore toaster must not be used near or below curtains and other combustible materials. The toaster should be attended when in use.

16. The use of accessories or attachments not recommended by the appliance manufacturer may cause injuries.

WARNING! Electric Shock Hazard. Do not attempt to dislodge food when toaster is in use or connected mains power.

17. Be sure to take the bread out carefully after toasting to avoid injuries from hot surfaces.

WARNING! When toasting small bread slices less than 85mm length, you must pay attention to the potential risk of burning.

18. The appliance is not intended to be operated by means of an external timer or separate remote-control system.

19. Always unplug the appliance from mains power when not in use and before cleaning.

20. To disconnect, push the CANCEL button, then remove the supply cord plug from wall socket.

21. If a slice of bread gets stuck inside the toaster, unplug the appliance first and let it cool down before you try to remove the bread. Do not use a knife or a sharp tool, as these may cause damage to the heating element.

22. This appliance is intended to be used in household and similar applications such as:

- Staff kitchen areas in shops, offices and other working environments;
- Farmhouses;
- By clients in hotels, motels and other residential type environments;
- Bed and breakfast type environments.

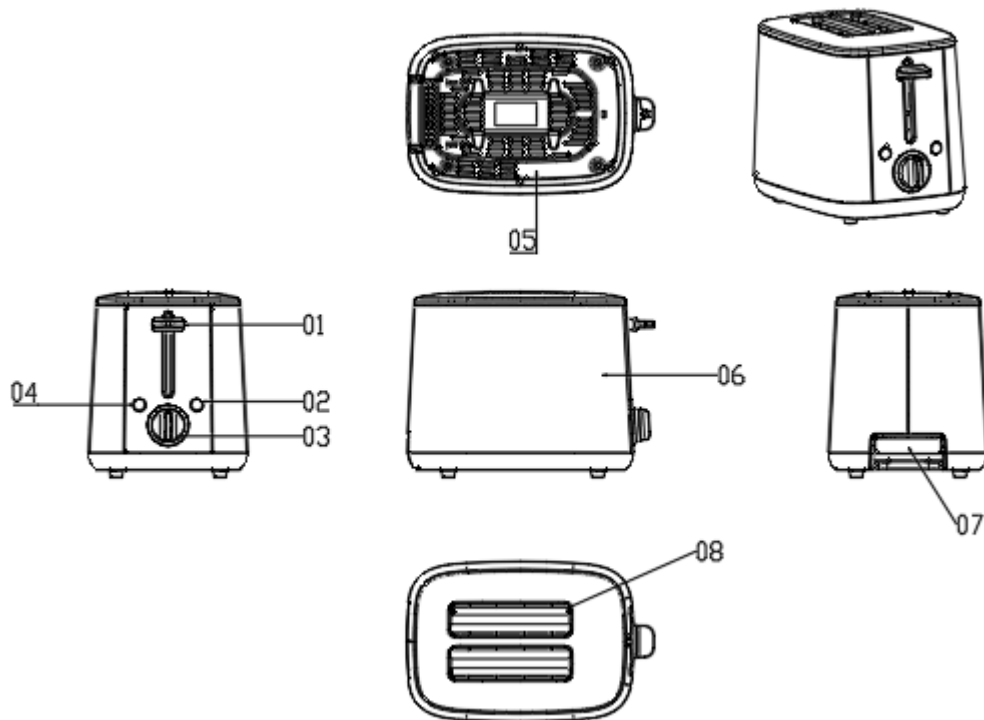
23. When using this appliance, allow adequate air space above and on all sides for air circulation. Do not allow this appliance to touch curtains, wall coverings, clothing, dishtowels or other flammable materials during use. CAUTION is required when the toaster is placed on surfaces where heat may cause a problem, i.e. Laminated / Vinyl bench tops. Use of an insulated heat pad is recommended.

WARNING!

Never operate toaster on its side. To prevent damage to toaster, DO NOT toast with extremely runny ingredients such as butter, jam and other sugary ingredients. Adding any food substances to the bread, muffins or crumpets can cause an electric shock and / or fire. This toaster is for toasting of bread, crumpets and muffins only.

**SAVE THESE INSTRUCTIONS
FOR HOUSEHOLD USE ONLY**

KNOW YOUR TOASTER



Parts and operating controls

- | | |
|--|---------------------------|
| ① Push-down/start lever | ② Defrost button with LED |
| ③ Selector (for Toasting level & Reheat) | ④ Cancel button with LED |
| ⑤ Bottom cover | ⑥ Metal housing |
| ⑦ Crumb tray | ⑧ Toast slot |

FIRST TIME USE

When the toaster is used for the first time it will emit a slight odour. This is normal and should disappear after some time. We also suggest operating the toaster according to below steps, except without bread, then let the toaster cool down and then begin toasting the first slice.

CAUTION: The bread may burn, therefore toaster must not be used near or below curtains and other combustible materials. The toaster should be attended when in use.

USING YOUR TOASTER

Important: Never let the toaster operate unattended.

Important: Do not operate the toaster without the crumb tray.

Toasting

1. Unwind the power cable and connect the supply cord plug into a mains power outlet socket.
2. Use the selector knob to set the required toasting level between 1 and 6. For a medium, golden brown, select level 3.
3. Place the food to be toasted in the toast slot.
4. Press the Push-down lever down until it engages. The LED on the Cancel button lights up.

NOTE: The push-down lever will engage only when the toaster is connected to mains power.

5. Toasting will end automatically, and the food being toasted is raised up. The LED on the Cancel button will go out.

Note: The toasting can be interrupted at any time by pressing the Cancel button.

Never lift the Push-down lever to cancel toasting.

Tip: If you toast only one slice, set the toasting setting level lower than you would normally use for two slices.

Reheating cold bread or toast

1. Insert the cold bread to be toasted.
2. Press the push-down lever down until it engages. The LED on the Cancel button lights up.
3. Turn the selector knob to Reheat.

Toasting frozen bread

1. Turn the selector knob to set the required toasting level.
2. Insert the frozen bread to be toasted.
3. Press the push-down lever down until it engages. The LED on the Cancel button lights up.
4. Press the Defrost button. The LED on the Defrost button lights up.

CAUTION

1. Remove all protective wrappings prior to toasting.
2. If toaster starts to smoke, Press **Cancel** to stop toasting immediately.
3. Avoid toasting the food with extremely runny ingredients such as butter or jam.
4. Never attempt to remove bread jammed in the slots without unplugging the toaster from the electrical power outlet first. Be sure not to damage the internal mechanism or heating elements when removing bread.

5. The bread slot is for toasting regular bread slice.
6. To achieve uniform toast colour, we recommend that you wait a minimum of 30s between each toasting time so that browning colour control can reset automatically.

CARE AND CLEANING

1. Before cleaning, unplug from the appliance and let the appliance cool down completely.
2. Pull out crumb tray at the bottom of the toaster and empty it. If the toaster is used frequently, accumulated breadcrumbs should be removed at least once a week. Make sure the crumb tray is completely closed before using the toaster again.
3. Wipe the outside of the toaster with a slightly dampened cloth and polish with a soft dry cloth.
4. Do not immerse the toaster in water or other liquid.
5. When not in use or during storage, the power cord may be wound under the bottom of toaster.

WARNING! Fire Hazard. The crumb tray should be cleaned regularly. Do not allow breadcrumbs to accumulate in the bottom of the toaster.

TECHNICAL DATA

Voltage:	220-240V~ 50-60Hz
Power consumption:	800 -1000 W
Capacity:	Max. 2 pieces

12 MONTH WARRANTY

Thank you for your purchase from Kmart.

Kmart Australia Ltd warrants your new product to be free from defects in materials and workmanship for the period stated above, from the date of purchase, provided that the product is used in accordance with accompanying recommendations or instructions where provided. This warranty is in addition to your rights under the Australian Consumer Law.

Kmart will provide you with your choice of a refund, repair or exchange (where possible) for this product if it becomes defective within the warranty period. Kmart will bear the reasonable expense of claiming the warranty. This warranty will no longer apply where the defect is a result of alteration, accident, misuse, abuse or neglect.

Please retain your receipt as proof of purchase and contact our Customer Service Centre on 1800 124 125 (Australia) or 0800 945 995 (New Zealand) or alternatively, via Customer Help at Kmart.com.au for any difficulties with your product. Warranty claims and claims for expense incurred in returning this product can be addressed to our Customer Service Centre at 690 Springvale Rd, Mulgrave Vic 3170.

Our goods come with guarantees that cannot be excluded under the Australian Consumer Law. You are entitled to a replacement or refund for a major failure and compensation for any other reasonably foreseeable loss or damage. You are also entitled to have the goods repaired or replaced if the goods fail to be of acceptable quality and the failure does not amount to a major failure.

For New Zealand customers, this warranty is in addition to statutory rights observed under New Zealand legislation.