

# Instruction Manual

## Anko Camp Storage Tent

(Keycode: 43089253)

### Product Image-



### Parts list-

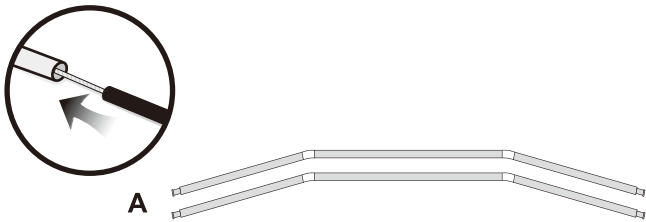
No.	Part name	Quantity	Image
1	Tent body	X1	
2	Fibreglass pole	X2	
3	Guy rope	X4	
4	Pegs	X22	

**Please read all instructions carefully and make sure you have all parts before starting to assemble**

### Assembly steps-

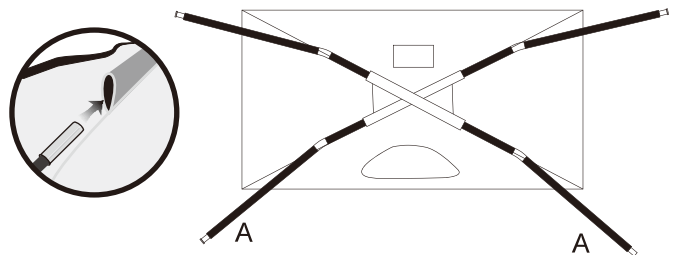
#### Step 1,

Take out the tent from carry bag, lay out the tent and engage the fiberglass poles.



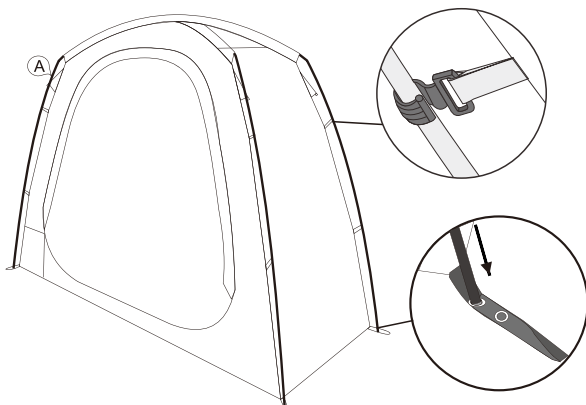
#### Step 2,

Feed the poles carefully through the pole sleeves, ensuring the poles do not snag in the sleeve.



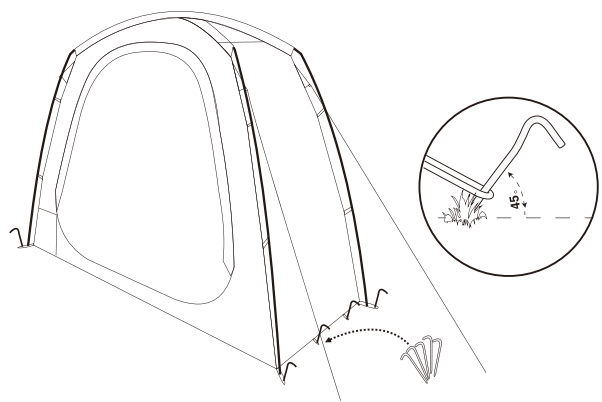
#### Step 3,

Fit the pole ends into the eyelets at the base corners of the tent to erect the tent, attach the pole hook on the poles.



#### Step 4,

Unravel all guy ropes pre-attached on tent guy fin, peg down tent base corners and guy ropes to fix tent, always drive pegs at the angle of 45° to the ground.



# Warning -

- KEEP ALL FLAME AND HEAT SOURCE AWAY FROM THIS TENT FABRIC.
- DO NOT USE CANDLE, MATCHES OR OPEN FLAME OF ANY KIND IN OR NEAR THE TENT.
- DO NOT COOK INSIDE THE TENT.
- DO NOT SMOKE IN THE TENT.
- DO NOT STORE FLAMMABLE LIQUIDS INSIDE THE TENT.
- CHOOSE A LEVEL SITE TO ERECT TENT THAT IS CLEAR FROM OVERHANGING BRANCHES AND NOT IN LOW LYING AREAS THAT COULD BE SUBJECT TO FLOODING.

# Care instruction-

- WIPE CLEAN WITH A DAMP CLOTH.
- DO NOT USE ABRASIVE MATERIALS AND SOLVENTS.
- ENSURE TENT IS CLEAN & DRY BEFORE PACKING OR STORING TO PREVENT DAMAGE FROM MOULD & MILDEW.

Made In China