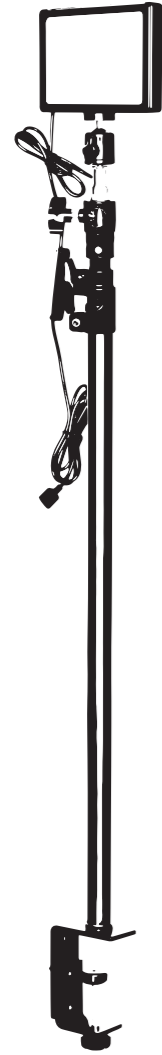


GAMERS STREAMING LIGHT



WARNING:

1. Only qualified service technicians or service agents should attempt repair this product.
2. The power cable cannot be replaced, if it is damaged the light should no longer be used.
3. The light source contained in this luminaire shall only be replaced by the manufacturer or his service agent or a similar qualified person.
4. The external flexible cable or cord of this luminaire cannot be replaced; if the cord is damaged, the luminaire shall be destroyed.
5. Not suitable for mounting on tubular material.



Specifications:

Parameters	Model	ZC-10s
Output power		10W
Luminous Flux		1000LM
Led Quantity		66PCS
Color Temperature		5600K
Dimmer		10%-100%
DC power input		USB 5V/2A

Package Includes:

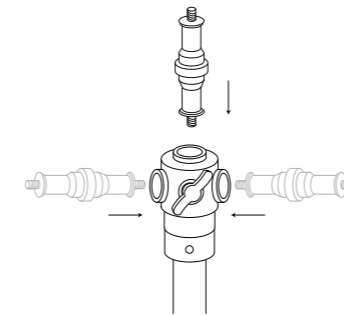
Pole Mount	1pc
streaming Light	1pc
color fliter	3pc
Instructions	1pc

Streaming Light Product Information:

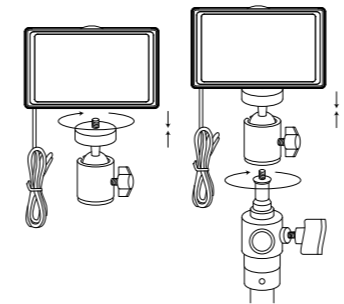
- 66 Premium LED Beads.
- 10W Output.
- USB Powered.
- 3pce Colour Filters (Red, Yellow, Blue).

Installation method:

Attaching the Streaming Light to the pole mount

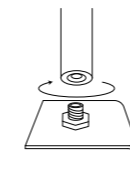


1. Insert the threaded connector into Cardan Joint and insert into one of the hole positions. Note there are three positions that can be used. Ensure the 3/8" thread is inserted into the hole leaving the 1/4" thread visible.

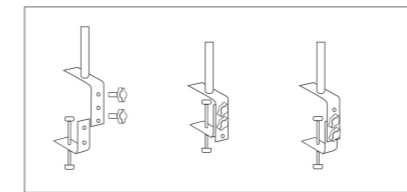


2. Connect the ball joint thread to the thread in the base of the LED light panel.
3. Insert the 1/4" screw end into the ball joint thread and tighten.

Attaching the Pole to Clamp

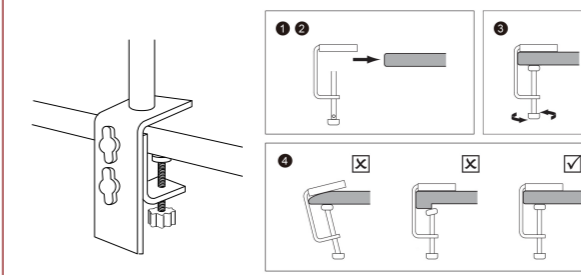


1. Insert the screw end into the clamp thread and tighten.



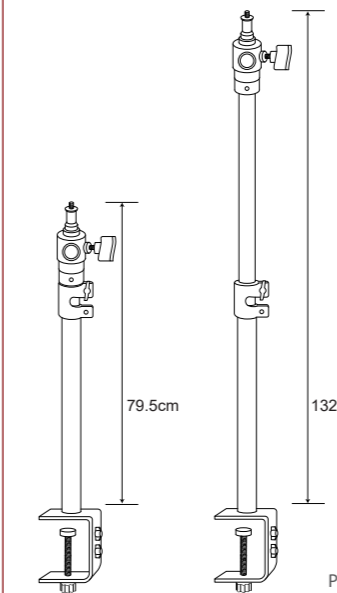
2. Align the screw holes from the top and base of clamp parts and attach the two nuts through the holes. The thickness of your desk/ table that you are mounting the light will depend on which screw holes you select.

Mounting the Desk Clamp



1. Unscrew the clamp so that the opening is large enough to fit over the edge of your table.
2. Push the clamp all the way onto the table edge for maximum security.
3. Fasten the clamp to the desk by turning the handle so that it is tight against the underside of the table. Note: Make sure that the clamp sits flush on both the top and bottom surfaces of the table.
4. Test that you have mounted the clamp securely by seeing if you can pull it off the edge of the table. Tables with round edges provide less security than those with square edges.

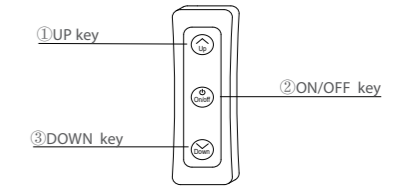
Pole Height



Pole Height: min: 79.5cm, max: 132cm

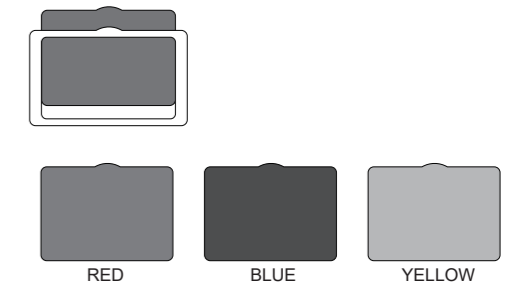
Streaming Light Operation

Connect USB cable into compatible USB power adapter.
Press On/ Off button



- ① UP Button
Press once to increase light by 10% or long press to increase to desired light level.
- ② ON/OFF Button
Press once to turn light on or off. The default brightness is set to maximum.
- ③ DOWN Button
Press once to reduce the brightness by 10% or long press to reduce to desired light level.

Colour Filter



Slide the desired colour filter (supplied) into the slot surround on the LED panel. Remove by gently sliding back out of the slot.