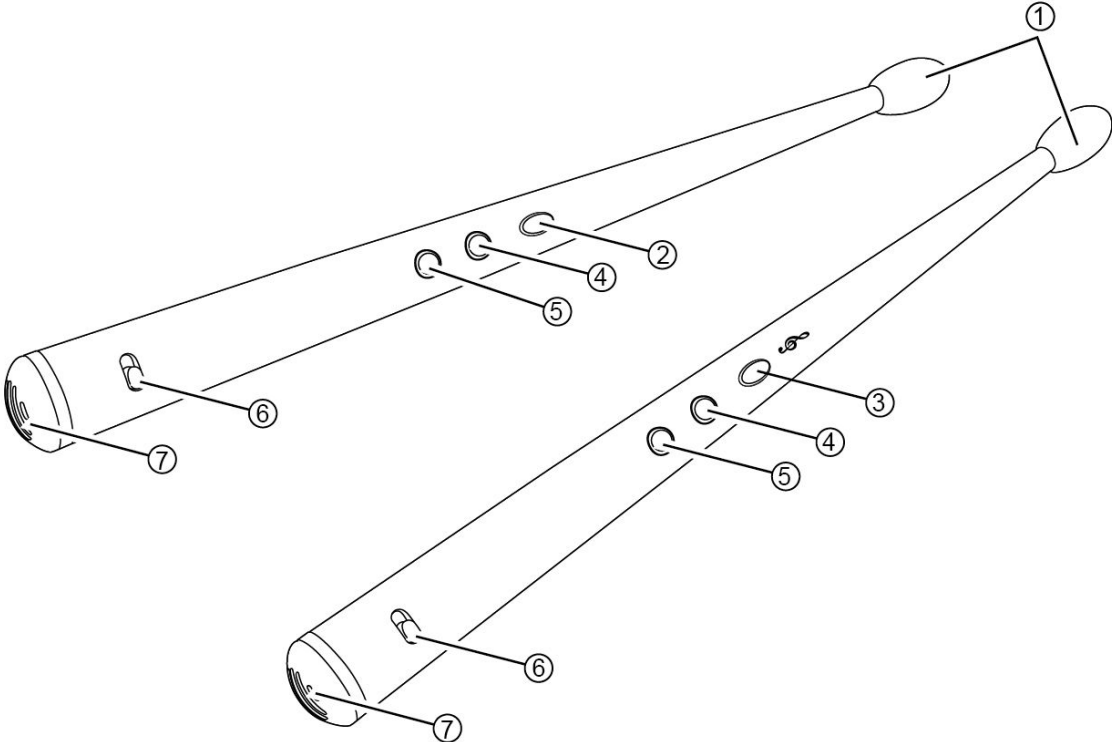


DRUM STICK

INSTRUCTION MANUAL



- 1. Working lights
- 2. No function
- 3. Drum rhythm
- 4. Hold down for crash cymbal
- 5. Hold down for snare sound
- 6. Power switch
- 7. Speaker

EACH DRUM STICK REQUIRES
2 X 1.5V AA BATTERIES.
TOTAL REQUIRES 4 X 1.5V AA
BATTERIES (2 X 1.5V AA BATTERIES
INCLUDED).

2 X AA

WARNING: BATTERIES ARE TO BE INSERTED WITH THE CORRECT POLARITY (+ AND -). DO NOT MIX DIFFERENT TYPES OF BATTERIES OR NEW AND USED BATTERIES. NON-RECHARGEABLE BATTERIES ARE NOT TO BE RECHARGED. RECHARGEABLE BATTERIES ARE ONLY TO BE CHARGED UNDER ADULT SUPERVISION. RECHARGEABLE BATTERIES ARE TO BE REMOVED FROM THE TOY BEFORE BEING CHARGED. THE SUPPLY TERMINALS ARE NOT TO BE SHORT-CIRCUITED. REMOVE BATTERIES FROM THE TOY WHEN NOT IN USE FOR EXTENDED TIME OR WHEN BATTERIES BECOME EXHAUSTED. BATTERY INSTALLATION BY AN ADULT IS REQUIRED. DISPOSE OF BATTERIES RESPONSIBLY. DO NOT DISPOSE OF IN FIRE.

WARNING: FOR SAFETY REASONS, REMOVE ALL TAGS, LABELS, AND PLASTIC FASTENERS BEFORE GIVING THIS TOY TO YOUR CHILD.

CAUTION: BATTERY INSTALLATION BY ADULT REQUIRED.

keycode: 43095131

MADE IN CHINA
FOR AU / NZ: IMPORTED FOR K MART
STORES IN AUSTRALIA AND NEW ZEALAND.

THE BATTERIES INCLUDED ARE FOR DEMONSTRATION PURPOSES ONLY. ADULT SUPERVISION REQUIRED. PLEASE KEEP THE PACKAGING FOR FUTURE REFERENCE. PRODUCT MAY VARY FROM IMAGE SHOWN.

WARNING: CHOKING HAZARD
SMALL PARTS. NOT FOR CHILDREN UNDER 3 YEARS.