

INSTRUCTION MANUAL

43099931

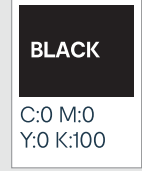
[KMT084]

5107_MAN_43099931_H10 Speaker_v 4

Artwork Proof Date: 25.10.2021
Number of artboards: 1

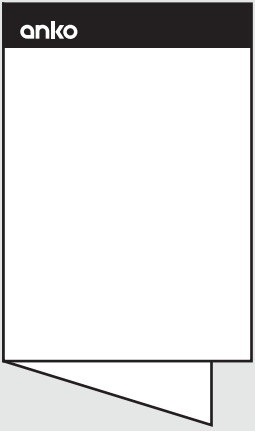
PAPER:
80gsm
Bright white uncoated paper

PRINT COLOURS:



PRINT FINISH:

Double sided
Folded in the centre
148.5 x 210 Folded Size



CHANGE LOG CREST INTERNAL USE ONLY

ARTWORK SHOULD NOT BE AMENDED WITHOUT PRIOR AGREEMENT FROM CREST.
ALL ARTWORK MUST BE APPROVED BY CREST PRIOR TO MASS PRODUCTION.
IF THERE ARE QUERIES ABOUT THIS ARTWORK PLEASE CONTACT:
EMAIL: design@crest.com.au
THANK-YOU.

© The Crest Company 2020. All rights reserved.

anko

Bluetooth® 2-in-1 360° Speaker



Operating Instructions

- Includes:
- › Bluetooth® portable TWS speaker
 - › charging cable (micro USB cable×2)
 - › audio cable (3.5mm AUX cable×1)
 - › hand sleeve
 - › user manual



43-099-931

Bluetooth name is KM43099931

12 month warranty

Thank you for your purchase from Kmart.
Kmart Australia Ltd warrants your new product to be free from defects in materials and workmanship for the period stated above, from the date of purchase, provided that the product is used in accordance with the accompanying recommendations or instructions where provided. This warranty is in addition to your rights under the Australian Consumer Law.

Kmart will provide you with your choice of a refund, repair or exchange (where possible) for this product if it becomes defective within the warranty period. Kmart will bear the reasonable expense of claiming the warranty. This warranty will no longer apply where the defect is a result of alteration, accident, misuse, abuse or neglect.

Please retain your receipt as proof of purchase and contact our Customer Service Centre on **1800 124 125 (Australia)** or **0800 945 995 (New Zealand)** or alternatively, via Customer Help at **kmart.com.au** for any difficulties with your product. Warranty claims and claims for expense incurred in returning this product can be addressed to our Customer Service Centre at 690 Springvale Rd, Mulgrave Vic 3170.

Our goods come with guarantees that cannot be excluded under the Australian Consumer Law. You are entitled to a replacement or refund for a major failure and compensation for any other reasonably foreseeable loss or damage. You are also entitled to have the goods repaired or replaced if the goods fail to be of acceptable quality and the failure does not amount to a major failure.

For New Zealand customers, this warranty is in addition to statutory rights observed under New Zealand legislation.

The Bluetooth® word mark and logos are registered trademarks owned by Bluetooth® SIG, Inc., and any use of such marks by KMART AUSTRALIA is under licence.



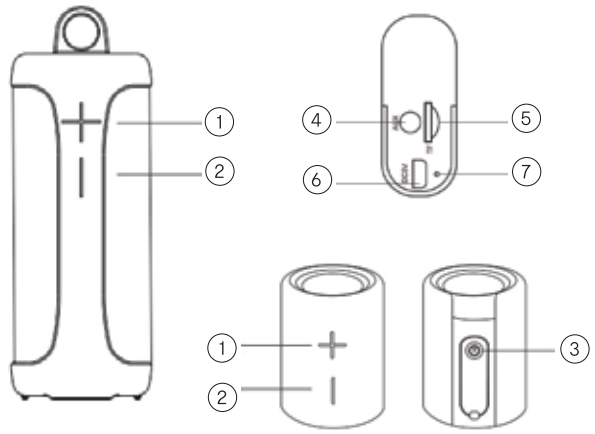
WARNING Do not dispose of unit in fire or water. › Never attempt to disassemble and reassemble. › Waste electrical products should not be disposed of with household waste, please recycle where facilities exist. › Check with your local authority for recycle advice. › Keep your device and all accessories out of the reach of children and animals. › Small parts may cause choking or serious injury if swallowed. › Avoid exposing your device to very cold or very hot temperatures (below 0°C or above 45°C). › Extreme temperatures can cause deforming of the device and reduce the charging capacity and life of your device. › Do not allow your device to get wet—liquids can cause serious damage. › Do not handle your device with wet hands.

5107/4

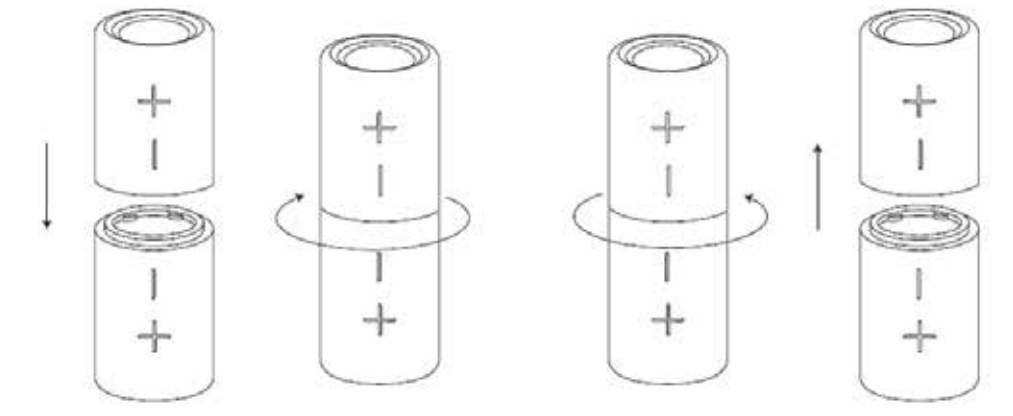
This product shall be supplied by a power source not exceeding PSI only. › This Bluetooth Speaker shall be charged by the supplied charging unit only.
CAUTION › The batteries in this product are not replaceable. › During Use, Storage or Transportation the battery should not be subjected to extremely low temperatures, or low air pressure at high altitude. › If the battery is exposed to extremely high temperatures it could result in an explosion or the leaking of flammable liquid or gas. › Please take care when disposing of the unit; disposal in a fire, oven, mechanically crushing or cutting machine could result in the battery exploding.

Function overview:

- 1 Volume Up/Next Song
- 2 Volume Down/Previous Song
- 3 Power ON/OFF
- 4 AUX-In Port
- 5 TF Card Slot
- 6 Micro USB Charging Port
- 7 LED Indicator



Assemble way and Disassemble way:



How to use this speaker:

- Pause** Press button
- Play** Press button
- Mode Selection** Press twice to select mode BT/TF/AUX-IN
- Next Song** Press and hold **+** key once to skip track
- Previous Song** Press and hold **-** key once to skip track
- Volume Up** Press **+** key to increase the volume
- Volume Down** Press **-** key to decrease the volume
- Power ON/OFF** Press and hold button
- TWS Paring** Press and hold **+** & **-** button of unpaired unit together for TWS connection

Mode Selection

- › The speaker enters Bluetooth mode by default when powered ON. You can press button twice to choose Bluetooth, TF Card or AUX mode.
- › The speaker will enter TF card or AUX mode once they are inserted into the respective slots.

Bluetooth Pairing

- › Press and hold the Power button until the LED flashes rapidly, indicating it is ready to pair with a Bluetooth device.
- › In the Bluetooth menu on the media device, search for "KM43099931" and connect. Type Password "0000" or "1234" if password requested.
- › Once the Speaker is successfully paired and connected, indicator light remains on and you can now play music through the speaker. When playing music, the indicator light will flash slowly.
Note: Under Bluetooth mode after speakers TWS paired successfully, insert TF card to any unit of the speaker, the speaker with TF card will play music automatically through TF card. The other speaker unit will continue playing music via BT connected device.

TWS Pairing

- › Two speakers of the same model can be coupled to make a TWS pairing, press and hold **+** & **-** button together of the unpaired unit to enter TWS pairing, and you will hear a prompt sound once paired successfully.
- › Press **+** & **-** button together of the either unit to cancel TWS connection when paired, and you will hear a prompt sound once unpaired successfully.

AUX Function

- › Use a 3.5mm Aux-in cable to connect your device through the AUX in port. Choose the music from your music list from your media device and play.

TF Function

- › Insert TF card (up to 32G) into TF card port. You will hear an alert. Speaker will play the music automatically from TF card.

Charging

- › Please use provided USB cable for charging. Plug one end to USB port of the unit and the other side connect with the PC, wall charger or other 5V charging device.

IPX6

- › If speaker is used outdoors or where it will be splashed, the silicon cover must be closed securely.

Specifications:

- Model No:** 43099931
- Version:** Bluetooth 5.0
- Working distance:** 10 Meters
- Output:** 2 x 5W
- Music time:** 4-5 hours at 100% volume, 7-8 hours at 50% volume
- Standby time:** approx. 10 hours
- Charging voltage:** 5V d.c.
- Charge time:** 3-4 hours per unit
- IPX6**