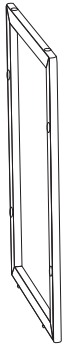
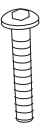

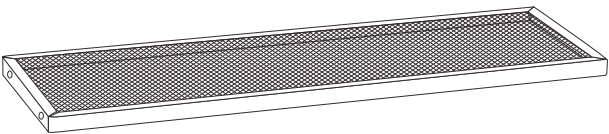

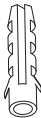


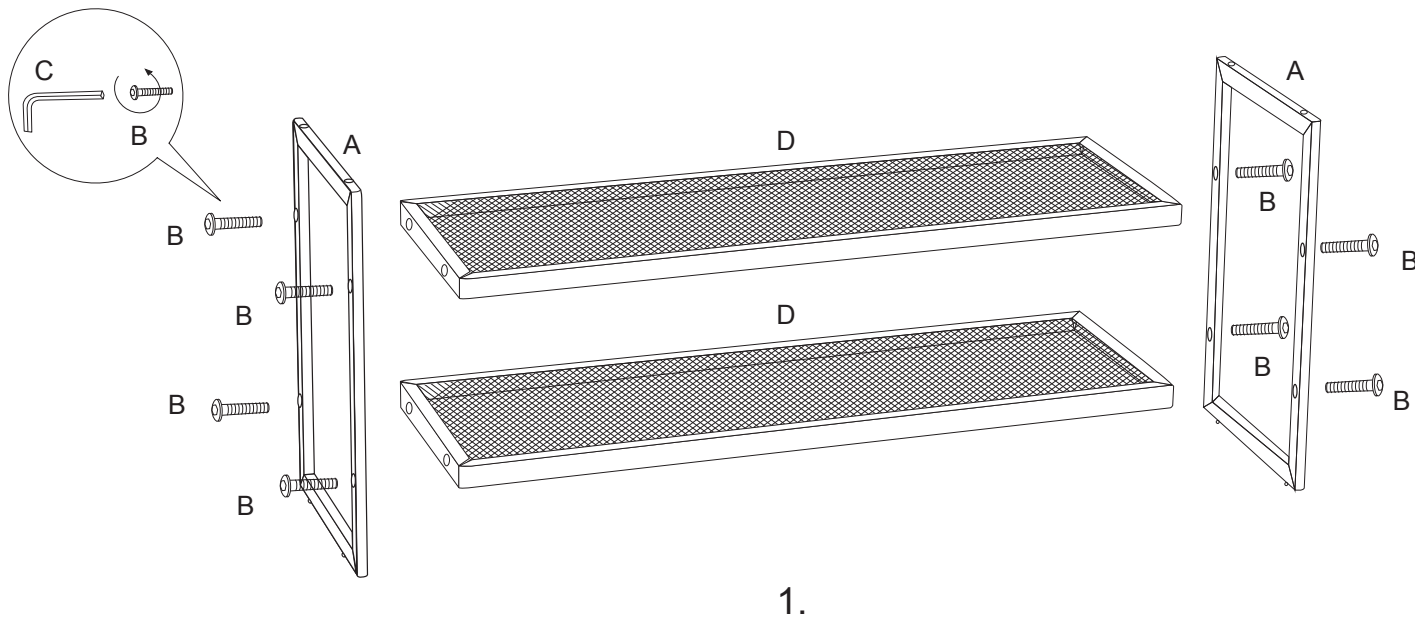


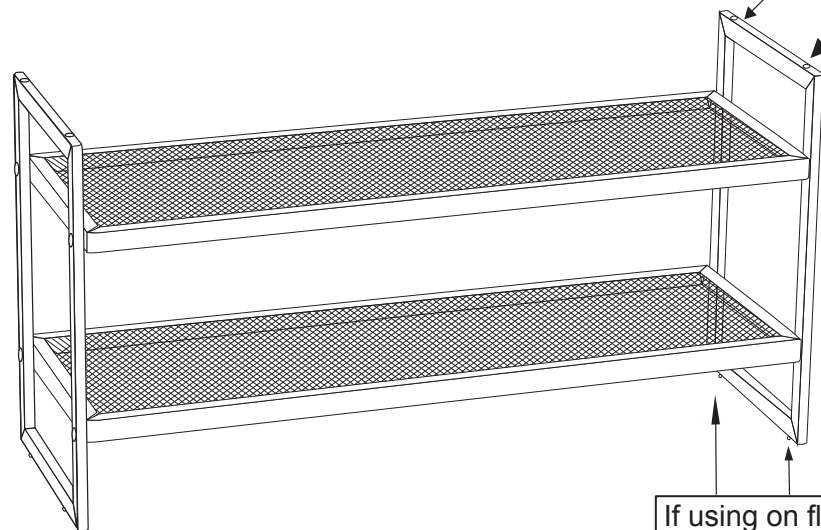
Assembly Instructions

43100040 2 TIER MESH SHOE RACK WHITE

							
A X 2	B X 8	Hex Key C X 1	D X 2	Hook Loop E X 2	Wall Plug F X 1	Screw G X 1	Strap H X 1



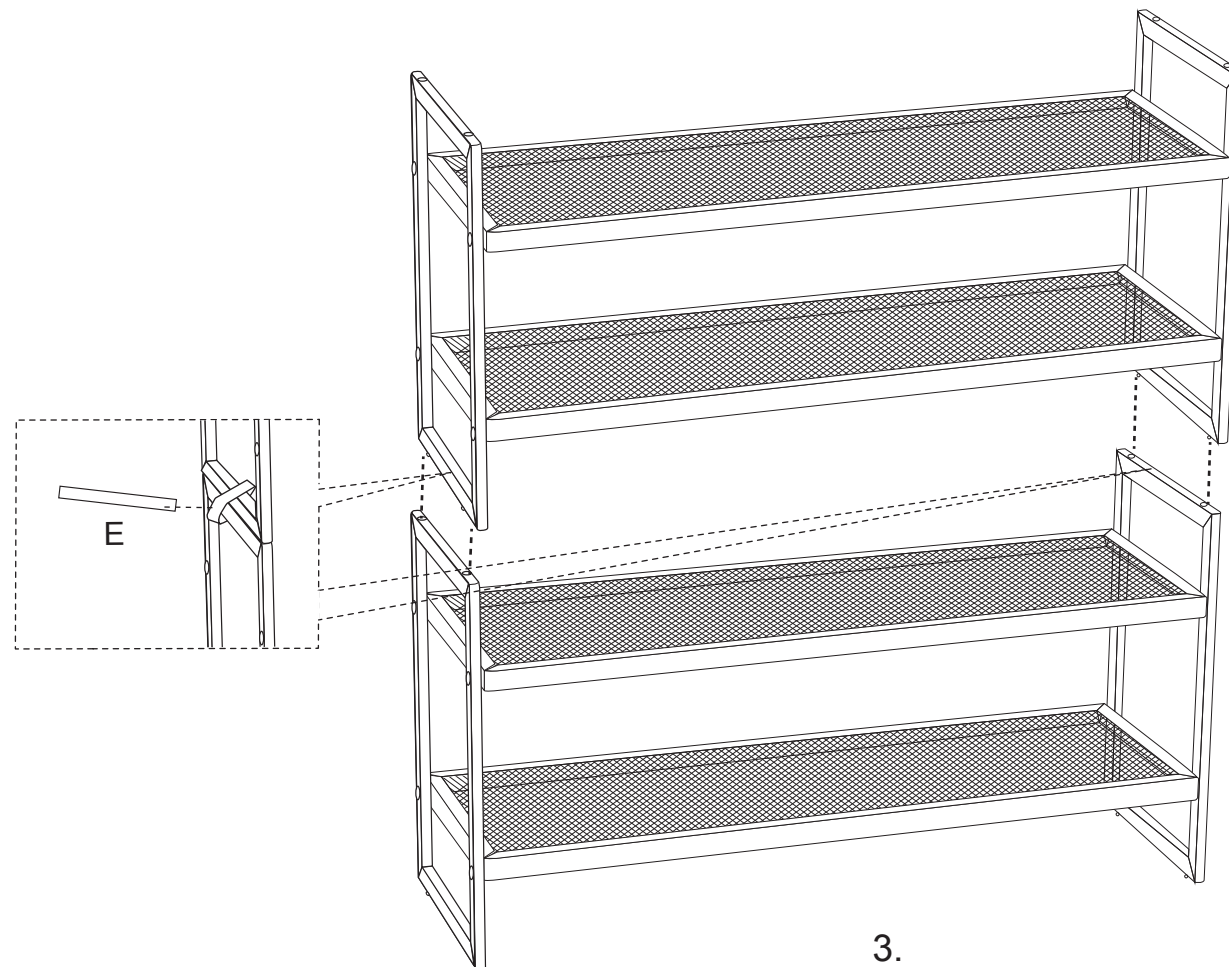
These indents can anchor another shoe rack, use the hook and loops straps to hold the racks firmly in place.



2.

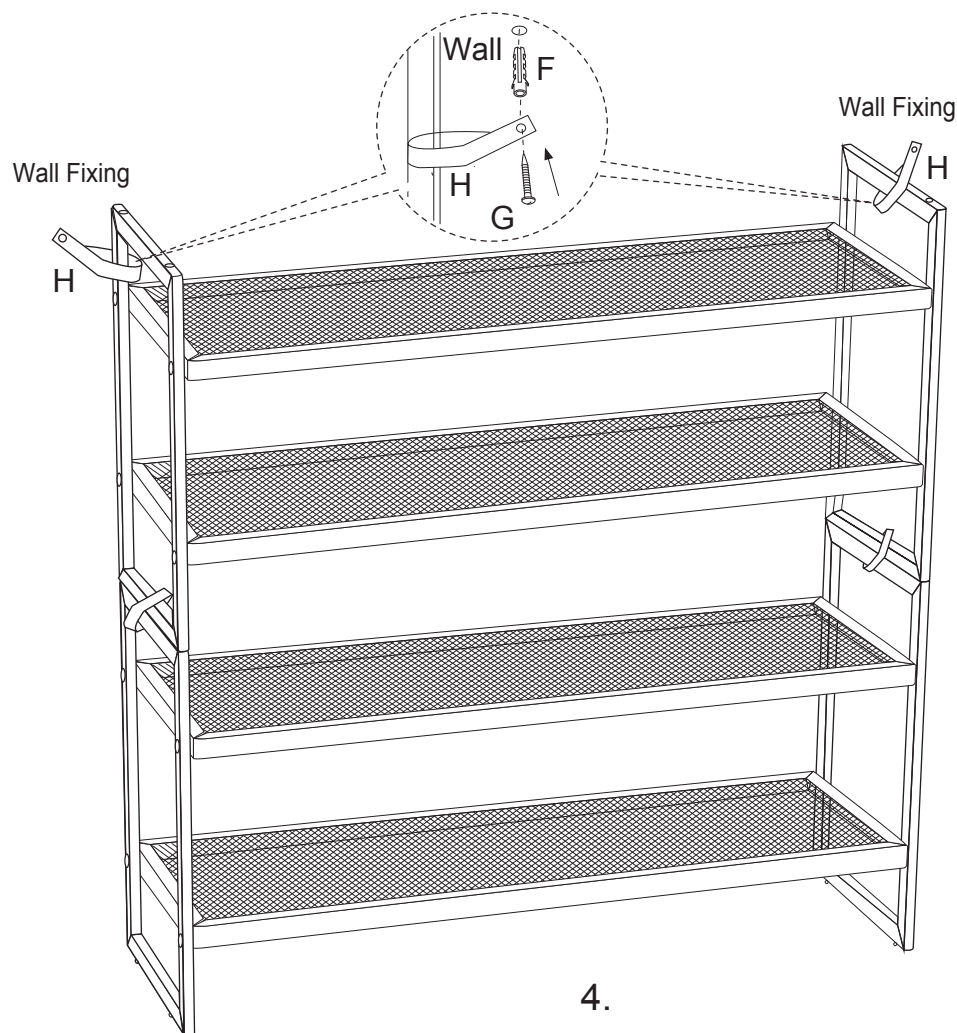
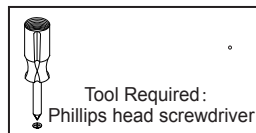
If using on floors that can scratch, use footpads underneath to protect floor. Footpads are not included.

210x297cm



3.

If stacking 2 units or more than 2 units, anchor the units to the wall to avoid a toppling hazard .



4.

Warning:

- It is strongly recommended that this product is permanently fixed to the wall.
- Please seek professional advice if you are in doubt of what fixing device to use.
- Regularly check that anchors are securely maintained.
- Stability of tall items may be affected by thick pile carpet or uneven floors.

Caution: for your safety when attaching the anchor fixings, please note the following:

- Check any electrical wires or plumbing inside the wall before drilling any holes

(if you are unsure please seek professional advice from a qualified tradesperson).



WARNING: PLEASE SECURE YOUR FURNITURE WITH THE SUPPLIED WALL FIXING. SCAN THE CODE FOR MORE INFORMATION.

