

# anko

**Blender  
WBL-005  
User Manual**



**PLEASE READ AND SAVE THESE  
INSTRUCTIONS FOR FUTURE REFERENCE**

# IMPORTANT SAFEGUARDS

When using any electrical product, always follow these basic safety precautions:



## READ ALL INSTRUCTIONS BEFORE USE

### WARNING:

1. To protect against electrical shock, do not submerge the appliance or allow the power cord to come in contact with water or any other liquid.
2. This appliance is not intended for use by persons (including children) with reduced physical, sensory or mental capabilities, or lack of experience and knowledge, unless they have been given supervision or instructions concerning use of the appliance by a person responsible for their safety.
3. Children should be supervised to ensure that they do not play with the appliance.
4. Never let the appliance operate unattended.
5. Remove the power cord from the electrical outlet when not in use, before assembling or disassembling parts and before cleaning. To unplug, grasp the plug and pull from the mains power outlet socket. Never pull from the power cord.
6. DO NOT abuse the power cord. Never carry the appliance by the power cord or yank it to disconnect from electrical outlet; instead grasp on the plug and pull to disconnect.
7. DO NOT operate the appliance with a damaged cord or plug, or after the appliance malfunctions, has been dropped or damaged in any manner.
8. If the power cord is damaged, it must be replaced by a qualified electrical person in order to avoid a hazard or the appliance must be disposed.
9. DO NOT let the power cord hang over the edge of table or counter or touch hot surfaces such as the stove.
10. Always use the appliance on a dry, level surface. Sink, drain boards or uneven surfaces must be avoided.
11. Keep hands, hair, clothing, as well as utensils out of jug while processing to reduce the risk of severe injury to persons or damage to the appliance. A scraper may be used but only when the appliance is not running.

**CAUTION: Blade assembly is sharp, handle with care. When handling the blade assembly, always hold by the base of the blade assembly.**

12. Avoid contact with moving parts.

13. DO NOT attempt to sharpen blades.
14. DO NOT use the appliance if blade assembly is bent or damaged.
15. To reduce risk of injury, never place the blade assembly on the base without the proper attachment.
16. DO NOT operate this appliance on or near any hot surface (such as gas or electric burner or in a heated oven).
17. The use of attachments or accessories not supplied with the product may cause fire, electric shock or personal injury.
18. DO NOT remove the jug from the motor base while the appliance is running.
19. To reduce the risk if injury, NEVER operate the appliance without the blade assembly in place; DO NOT try to defeat the interlock mechanism; make sure that the attachment is properly installed before operating the appliance.
20. DO NOT expose the jug to extreme temperature changes.

**CAUTION: DO NOT process boiling liquids or hot ingredients. Hot liquids/ingredients can eject out of the appliance due to a sudden steaming and cause severe scalding. Allow hot ingredients to cool before placing them in the jug.**

21. DO NOT overfill.
22. DO NOT operate the appliance empty.
23. If the appliance overheats, internal thermal switch will activate and shut off power to the electric motor. To reset, unplug the appliance and let it cool down for approximately 6 to 10 minutes before using again.
24. THIS PRODUCT IS INTENDED FOR HOUSEHOLD USE ONLY. Do not use this appliance for anything other than its intended use. Do not use outdoors.
25. Appliance accessories are not intended to be used in the microwave. Do not place the jug or the lid in the microwave as it may result in damage to accessories.
26. Check the voltage indicated on the appliance corresponds to the local mains voltage before you connect the appliance.
27. Never immerse the motor unit in water or any other liquid, do not rinse it under the tap. Use only a moist cloth to clean the motor unit.
28. Unplug the appliance immediately after use.
29. Keep the appliance out of the reach of children.

30. Always unplug the appliance before you start cleaning the appliance.
31. For safe operation of the product, always ensure the product assembled correctly before use.
32. Make sure the blade is securely fastened before assembling onto the motor unit.
33. Do not attempt to repair or disassemble the appliance. There are no user-serviceable parts inside the appliance.
34. Extreme caution is necessary when moving any appliance containing hot liquids.
35. Do not use the cup in microwave.
36. Do not pour hot liquid into the blender as it can be ejected out of the appliance due to a sudden steaming. Always allow ingredients to cool down before using it on the blender.
37. Care shall be taken when handling the sharp cutting blades, emptying the jug and during cleaning.
38. For cleaning, please refer to CLEANING AND STORAGE section.
39. Always disconnect the appliance from the mains power before approaching or changing parts.
40. The appliance is intended to be used in household and similar applications such as:
  - staff kitchen areas in shops, office and other working environments,
  - farmhouses,
  - by clients in hotels, motels and other residential type environments,
  - bed and breakfast type environments.

**WARNING! Misuse of the appliance may cause injury!**

**CAUTION:** In order to avoid a hazard due to inadvertent resetting of the thermal cut-out, this appliance must not be supplied through an external switching device, such as a timer, or connected to a circuit that is regularly switched ON and OFF by the utility.

 **WARNING: Extension cords are not recommended for use with this product.**

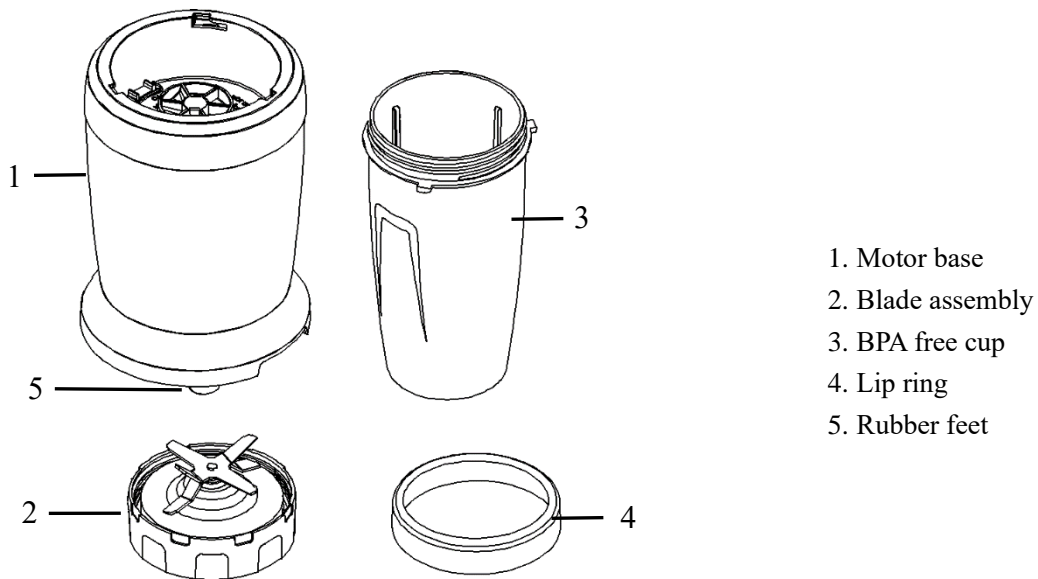
**IMPORTANT!**

**To prevent damage to the electric motor, the maximum operating time is 1 minute. Allow it to rest for at least 3 minutes before using it again. After 5 cycles of operation, allow the blender (electric motor) to cool down to room temperature, allow it to cool down for approx. 30 minutes before using it again.**

**Note: The appliance is incorporated with a non-self resetting thermal motor protection circuit to protect the motor from overheating. If the motor shuts OFF while in use, unplug the unit from main power outlet. Remove the blending jug from motor unit and free the blade of any obstructions. Allow the unit to cool down for at least 6 to 10 minutes. After then, plug the unit back into mains power for normal operation.**

**SAVE THESE INSTRUCTIONS  
FOR HOUSEHOLD USE ONLY**

## KNOW YOUR BLENDER



### IMPORTANT!

Please make sure that your appliance is received with all the components shown above. Check everything carefully before use. If any part is missing or damaged, do not use. Return the product to Kmart for replacement.

### INTRODUCTION

The blender is a high powered electrical appliance with compact design and outstanding performance. It is perfect for ice crushing and blending. Enjoy blended drinks with the convenient lip ring supplied to use with the cup.

### BEFORE FIRST USE

**Note:** When using the appliance for the first time, carefully remove all packaging.

1. Before using the product for the first time, wash all the parts except the motor base in warm, soapy water, and then rinse and dry thoroughly.
2. Clean the motor base with a damp cloth or sponge. Wipe dry with a soft dry cloth.

**CAUTION:** Never immerse the motor base in water or other liquids. Never use abrasive cleaners on any part of the product. Do not place any parts into a dishwasher or extremely hot water.

**IMPORTANT!** To prevent leaking, Do Not remove the sealing gasket from the blade assembly.

Place the motor housing on a flat, stable surface, the appliance is now ready for use.

## USE YOUR BLENDER

**WARNING! DO NOT process boiling liquids or hot ingredients. Allow hot ingredients to cool down before placing them in the cup.**

**IMPORTANT! DO NOT fill the cup above the maximum level as indicated on the cup. Some mixtures increase in volume during blending and create pressure in the jug.**

1. Ensure the product is unplugged from the electrical outlet.
2. Pour liquid ingredients into the cup, wash all solid ingredients and cut them into small pieces, and put into the cup.

**NOTE:** Do not overfill! To avoid spilling, do not add ingredients past the “Max” fill line.

3. Screw the blade assembly on the jug tightly and ensure it is not leaking. Align the tabs on the cup with the motor base, then push into the motor base and rotate clockwise until you hear “click” sound.
4. Plug the product into a standard 220-240V~ electrical outlet, and the appliance will start working.

**WARNING: Do not operate the motor continuously for more than 1 minute at a time. Allow the motor to rest for 3 minutes before continuing.**

**If the appliance stop working during use, unplug the appliance and let it cool down for 6 to 10 minutes, then the appliance should be ready again for use.**

**NOTE:** If the blades are not operating smoothly, stop the product and add some liquid, or reduce the contents in the cup.

**Tip:** If you want to use ice crush function, align the tabs on the jug with the motor base push down and turn clockwise to activate the blender and counterclockwise to stop the blending process. For best result use ice cubes straight from the freezer. Try using short operating time instead of a longer time.

5. When you have reached your desired consistency, stop the appliance by turning the cup counterclockwise and take it straight up to remove.
6. Disassemble the cup from the blade assembly.
7. Twist the lip ring onto the cup and enjoy your drinks directly from the cup!
8. Make sure that the motor base is unplugged when not in use.

**NOTE: The blender has a built-in safety lock feature, this ensures that you can only switch ON the appliance while the cup and the blade assembly are assembled on the motor base securely.**

**IMPORTANT: On the blade base collar, there is a silicone gasket seal that creates an airtight fit with the cup to prevent liquid from leaking. After washing and before each use, always check to make sure the gasket is properly in place.**

**WARNING! To prevent the appliance from overheating, dry ingredients must not be processed.**

## TROUBLESHOOTING

PROBLEMS	POSSIBLE REASONS & SOLUTIONS
Motor doesn't start or attachment doesn't rotate.	For the cup, make sure that the tabs are seated in the slots and turned clockwise.
Food is unevenly chopped.	You are chopping too much food at one time, or you are not pulsing properly. Reduce the amount of food in the cup.
Food is too finely chopped or too watery	The food has been over processed. Use short operating time for best results.
Cannot achieve crushed/soft ice from ice cubes.	For best result use ice straight from the freezer. Try using short operating time instead of a longer time. Make sure the cup is completely dry before adding ice.
Cup is leaking	Make sure that your blade assembly is properly assembled to the cup. Leaking may occur if it is misaligned when twisted onto the cup. Turn the blade assembly tightly clockwise.
Unit doesn't turn ON	Make sure the unit is plugged in. Make sure the blade assembly is properly assembled to the cup and that is not misaligned.
Unit doesn't turn OFF	Unplug the power cord from the electrical outlet.
Doesn't mix well	Pulse ingredients for best results. Press down on the cup in short intervals for even blending and chopping. For frozen ingredients, pulse in short intervals of 2-5 seconds and repeat.
Blade assembly will not properly align to the cup	Set the cup on a level surface. Place the blade assembly on top of the cup and align the threads so that the blade sit flat on the cup. Twist clockwise so that the blade is aligned to the cup until you have a tight seal.



## CLEANING AND STORAGE

**CAUTION: Never immerse the motor base in water or other liquids. Never use abrasive cleaners on any part of the product. Do not place any parts into a dishwasher or extremely hot water.**

- Clean the blender after each use.
- Remove the power cord from the power outlet socket and ensure the appliance is thoroughly cooled before cleaning.
- Clean the motor base with a damp cloth or sponge. Wipe dry with a soft dry cloth.
- Wash all the other parts except the motor base in warm, soapy water, and then rinse and dry thoroughly. Use caution when handling the blade assembly as the blades are very sharp.

**CAUTION:** Do not try to remove blades from the assembly for cleaning.

Tips:

Use a small brush (not included) to remove particles of food lodged underneath the blades.

If some leftover particles dry onto the inside of the cup, fill the cup about 2/3 full capacity with warm water and attach the blade assembly. Place the cup and blade assembly onto the motor base and operate the appliance for about 20-30 seconds to help loosen the stuck ingredients. Repeat the above step but use clean tap water. Empty blender and dry thoroughly.

- Make sure all components are clean and dried thoroughly before storing.
- Store the appliance upright in a clean and dry location. Do not place anything on top. Store the cup and the rest of the attachment alongside the appliance where they will not be damaged and won't cause a hazard.

## TECHNICAL SPECIFICATION

Voltage: 220-240V~ 50-60Hz

Power: 600W

Max Capacity: 800mL

## **12 Month Warranty**

Thank you for your purchase from Kmart.

Kmart Australia Ltd warrants your new product to be free from defects in materials and workmanship for the period stated above, from the date of purchase, provided that the product is used in accordance with accompanying recommendations or instructions where provided. This warranty is in addition to your rights under the Australian Consumer Law.

Kmart will provide you with your choice of a refund, repair or exchange (where possible) for this product if it becomes defective within the warranty period. Kmart will bear the reasonable expense of claiming the warranty. This warranty will no longer apply where the defect is a result of alteration, accident, misuse, abuse or neglect.

Please retain your receipt as proof of purchase and contact our Customer Service Centre on 1800 124 125 (Australia) or 0800 945 995 (New Zealand) or alternatively, via Customer Help at [Kmart.com.au](http://Kmart.com.au) for any difficulties with your product. Warranty claims and claims for expense incurred in returning this product can be addressed to our Customer Service Centre at 690 Springvale Rd, Mulgrave Vic 3170.

Our goods come with guarantees that cannot be excluded under the Australian Consumer Law. You are entitled to a replacement or refund for a major failure and compensation for any other reasonably foreseeable loss or damage. You are also entitled to have the goods repaired or replaced if the goods fail to be of acceptable quality and the failure does not amount to a major failure.

For New Zealand customers, this warranty is in addition to statutory rights observed under New Zealand legislation.