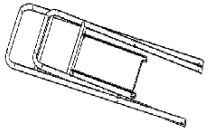
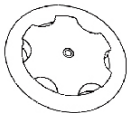







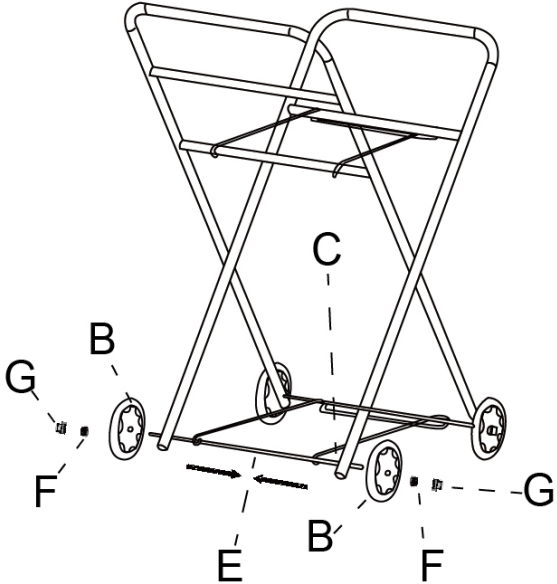
# Assembly Instructions

## 43100743 LAUNDRY TROLLEY

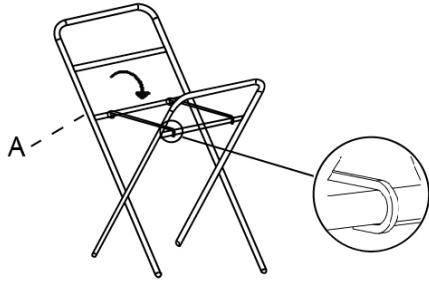
MAXIMUM SAFE LOAD: 13 KGS

### Hardware list

					
A	1PC	B	4PCS	C	1PC
					
D	1PC	E	1PC	F	4PCS
					
G	4PCS				

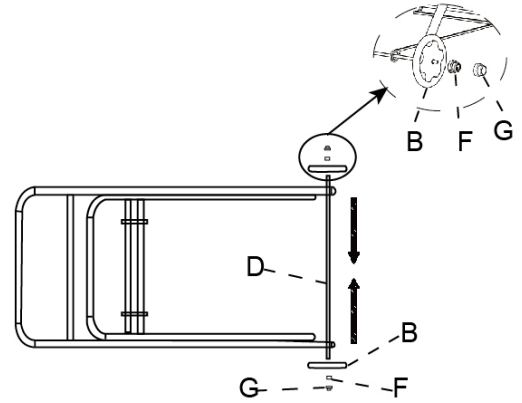


### STEP 1



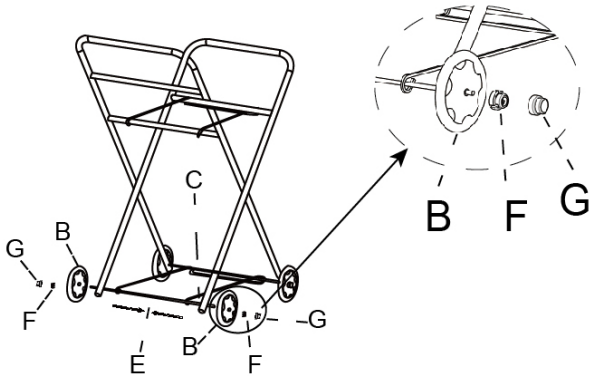
Open the trolley frame and hook the hook onto the bar

### STEP 2



Attach the front axle to the rack and then the wheels and caps

### STEP 3



Fix the hook on the frame with the rear axle and install the wheel and the wheel cap

### STEP 4

