

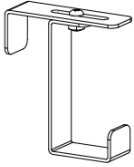
Assembly Instructions

43100781 2 TIER WOOD LOOK OVER THE DOOR AIRER

CARE INSTRUCTION: WIPE CLEAN WITH A SOFT DRY OR DAMP CLOTH

MAXIMUM SAFE LOAD: 10 KGS

Hardware list



A

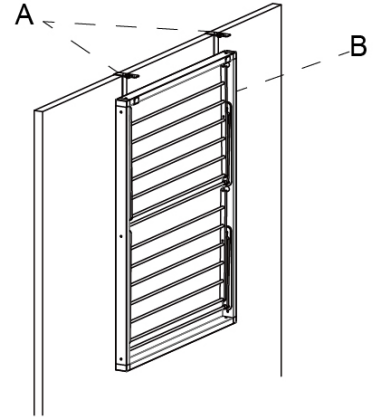
2PCS

B

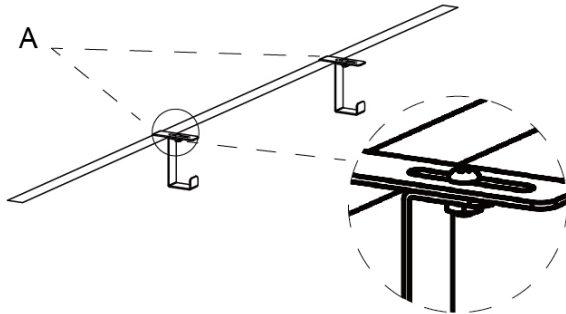
1PC



Phillips Head Screw Driver
(Not Provided)

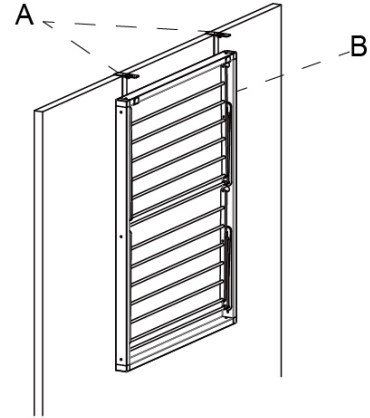


STEP 1



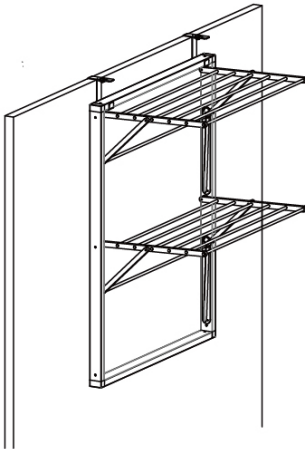
1. Hang the adjustable hook to the door . Lock the nut after hanging the hook
2. Note that the distance between the two hooks should not be greater than the length of the hanger

STEP 2



Hang the airer on the hook

STEP 3



TURN THE SHELF UP