

anko

**Toaster
LD-T7016A
User Manual**



**PLEASE READ AND SAVE THESE
INSTRUCTIONS FOR FUTURE REFERENCE**

IMPORTANT SAFEGUARDS

When using electrical appliance, basic safety precautions should always be followed including the following:

1. Please read all instructions before operating and retain for future reference.
2. Make sure that your outlet voltage corresponds to the voltage stated on the rating label of the toaster.
3. Do not touch hot surface. Use handles or knobs only.
4. To protect against electrical shock, do not immerse cord, plug, or any part of the toaster in water or other liquid.
5. This appliance is not intended for use by persons (including children) with reduced physical, sensory or mental capabilities, or lack of experience and knowledge, unless they have been given supervision or instructions concerning use of the appliance by a person responsible for their safety.
6. Children should be supervised to ensure that they do not play with the appliance.
7. Unplug unit from outlet when not in use and before cleaning.
8. If the supply cord is damaged, it must be replaced by qualified electrical person in order to avoid a hazard, or the product must be disposed.
9. Do not let the cord hang over edge of table or counter or touch hot surface. Allow the appliance to cool before wrapping cord around base for storage.
10. Do not place on or near a hot gas or electric burner, or in a heated oven.
11. Do not use the appliance for other than its intended use. Do not use outdoors.
12. Do not leave the appliance unattended when in use.
13. Do not use the toaster without the slide out crumb tray in place. The crumb tray should be cleaned regularly. Do not allow crumbs to build up in the tray.
14. Do not use this appliance with any foodstuff product containing sugar content or with products containing jam or preserves.
15. Oversize food, metal foil packages or utensils must not be inserted in the toaster as they may cause fire or electric shock.

CAUTION: The bread may burn, therefore toaster must not be used near or below curtains and other combustible materials. The toaster should be attended when in use.

16. The use of accessories or attachments not recommended by the appliance manufacturer may cause injuries.

WARNING! Electric Shock Hazard. Do not attempt to dislodge food when toaster is in use or connected mains power.

17. Be sure to take the bread out carefully after toasting to avoid injuries from hot surfaces.

WARNING! When toasting small bread slices less than 85mm length, you must pay attention to the potential risk of burning.

18. The appliance is not intended to be operated by means of an external timer or separate remote-control system.

19. Always unplug the appliance from mains power when not in use and before cleaning.

20. To disconnect, push the CANCEL button, then remove the supply cord plug from wall socket.

21. If a slice of bread gets stuck inside the toaster, unplug the appliance first and let it cool down before you try to remove the bread. Do not use a knife or a sharp tool, as these may cause damage to the heating element.

22. This appliance is intended to be used in household and similar applications such as:

- Staff kitchen areas in shops, offices and other working environments;
- Farmhouses;
- By clients in hotels, motels and other residential type environments;
- Bed and breakfast type environments.

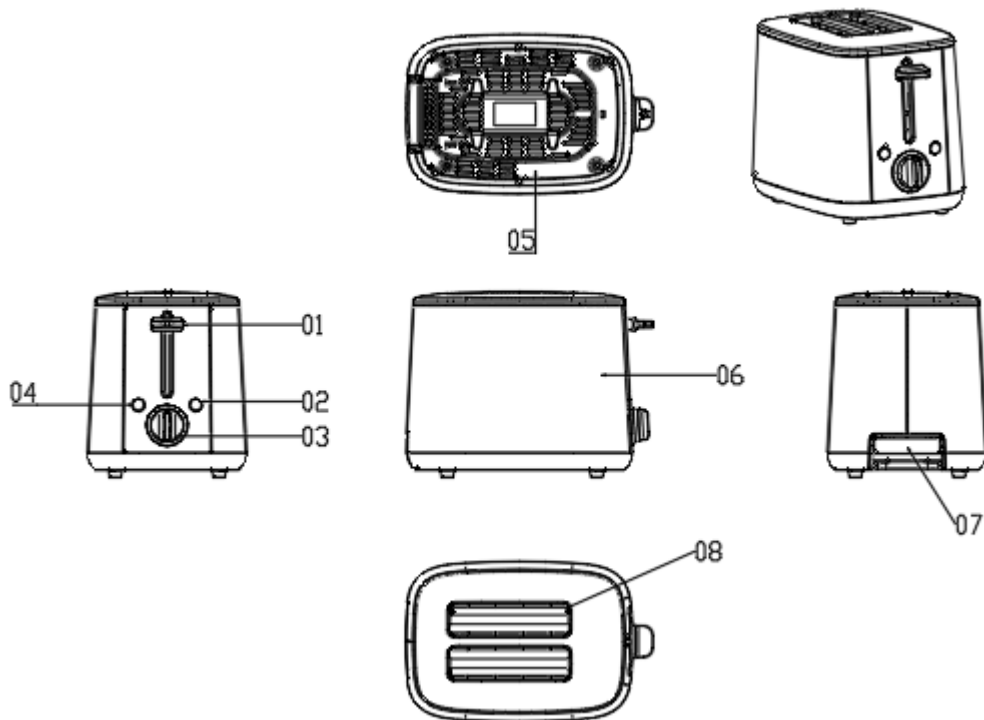
23. When using this appliance, allow adequate air space above and on all sides for air circulation. Do not allow this appliance to touch curtains, wall coverings, clothing, dishtowels or other flammable materials during use. CAUTION is required when the toaster is placed on surfaces where heat may cause a problem, i.e. Laminated / Vinyl bench tops. Use of an insulated heat pad is recommended.

WARNING!

Never operate toaster on its side. To prevent damage to toaster, DO NOT toast with extremely runny ingredients such as butter, jam and other sugary ingredients. Adding any food substances to the bread, muffins or crumpets can cause an electric shock and / or fire. This toaster is for toasting of bread, crumpets and muffins only.

**SAVE THESE INSTRUCTIONS
FOR HOUSEHOLD USE ONLY**

KNOW YOUR TOASTER



Parts and operating controls

- | | |
|--|---------------------------|
| ① Push-down/start lever | ② Defrost button with LED |
| ③ Selector (for Toasting level & Reheat) | ④ Cancel button with LED |
| ⑤ Bottom cover | ⑥ Metal housing |
| ⑦ Crumb tray | ⑧ Toast slot |

FIRST TIME USE

When the toaster is used for the first time it will emit a slight odour. This is normal and should disappear after some time. We also suggest operating the toaster according to below steps, except without bread, then let the toaster cool down and then begin toasting the first slice.

CAUTION: The bread may burn, therefore toaster must not be used near or below curtains and other combustible materials. The toaster should be attended when in use.

USING YOUR TOASTER

Important: Never let the toaster operate unattended.

Important: Do not operate the toaster without the crumb tray.

Toasting

1. Unwind the power cable and connect the supply cord plug into a mains power outlet socket.
2. Use the selector knob to set the required toasting level between 1 and 6. For a medium, golden brown, select level 3.
3. Place the food to be toasted in the toast slot.
4. Press the Push-down lever down until it engages. The LED on the Cancel button lights up.

NOTE: The push-down lever will engage only when the toaster is connected to mains power.

5. Toasting will end automatically, and the food being toasted is raised up. The LED on the Cancel button will go out.

Note: The toasting can be interrupted at any time by pressing the Cancel button.

Never lift the Push-down lever to cancel toasting.

Tip: If you toast only one slice, set the toasting setting level lower than you would normally use for two slices.

Reheating cold bread or toast

1. Insert the cold bread to be toasted.
2. Press the push-down lever down until it engages. The LED on the Cancel button lights up.
3. Turn the selector knob to Reheat.

Toasting frozen bread

1. Turn the selector knob to set the required toasting level.
2. Insert the frozen bread to be toasted.
3. Press the push-down lever down until it engages. The LED on the Cancel button lights up.
4. Press the Defrost button. The LED on the Defrost button lights up.

CAUTION

1. Remove all protective wrappings prior to toasting.
2. If toaster starts to smoke, Press **Cancel** to stop toasting immediately.
3. Avoid toasting the food with extremely runny ingredients such as butter or jam.
4. Never attempt to remove bread jammed in the slots without unplugging the toaster from the electrical power outlet first. Be sure not to damage the internal mechanism or heating elements when removing bread.

5. The bread slot is for toasting regular bread slice.
6. To achieve uniform toast colour, we recommend that you wait a minimum of 30s between each toasting time so that browning colour control can reset automatically.

CARE AND CLEANING

1. Before cleaning, unplug from the appliance and let the appliance cool down completely.
2. Pull out crumb tray at the bottom of the toaster and empty it. If the toaster is used frequently, accumulated breadcrumbs should be removed at least once a week. Make sure the crumb tray is completely closed before using the toaster again.
3. Wipe the outside of the toaster with a slightly dampened cloth and polish with a soft dry cloth.
4. Do not immerse the toaster in water or other liquid.
5. When not in use or during storage, the power cord may be wound under the bottom of toaster.

WARNING! Fire Hazard. The crumb tray should be cleaned regularly. Do not allow breadcrumbs to accumulate in the bottom of the toaster.

TECHNICAL DATA

Voltage:	220-240V~ 50-60Hz
Power consumption:	800 -1000 W
Capacity:	Max. 2 pieces

12 MONTH WARRANTY

Thank you for your purchase from Kmart.

Kmart Australia Ltd warrants your new product to be free from defects in materials and workmanship for the period stated above, from the date of purchase, provided that the product is used in accordance with accompanying recommendations or instructions where provided. This warranty is in addition to your rights under the Australian Consumer Law.

Kmart will provide you with your choice of a refund, repair or exchange (where possible) for this product if it becomes defective within the warranty period. Kmart will bear the reasonable expense of claiming the warranty. This warranty will no longer apply where the defect is a result of alteration, accident, misuse, abuse or neglect.

Please retain your receipt as proof of purchase and contact our Customer Service Centre on 1800 124 125 (Australia) or 0800 945 995 (New Zealand) or alternatively, via Customer Help at Kmart.com.au for any difficulties with your product. Warranty claims and claims for expense incurred in returning this product can be addressed to our Customer Service Centre at 690 Springvale Rd, Mulgrave Vic 3170.

Our goods come with guarantees that cannot be excluded under the Australian Consumer Law. You are entitled to a replacement or refund for a major failure and compensation for any other reasonably foreseeable loss or damage. You are also entitled to have the goods repaired or replaced if the goods fail to be of acceptable quality and the failure does not amount to a major failure.

For New Zealand customers, this warranty is in addition to statutory rights observed under New Zealand legislation.