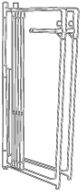
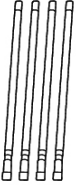
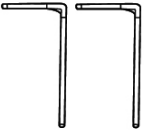



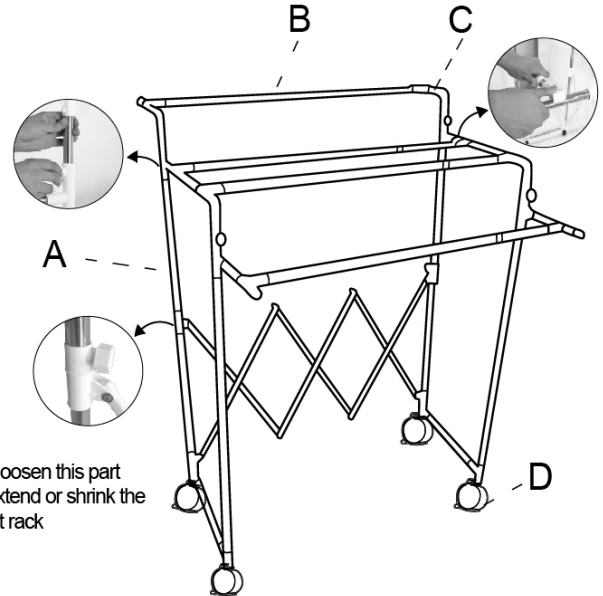
# Assembly Instructions

## 43100866 EXTENDABLE 3-TIER GARMENT RACK

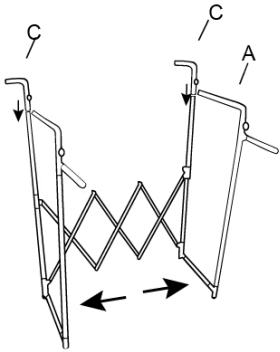
MAXIMUM SAFE LOAD: 13 KGS

### Hardware list

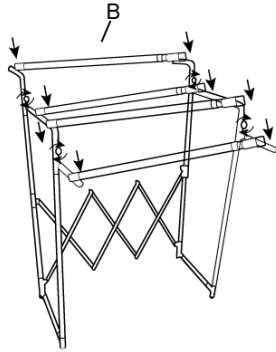
			
A	1PC	B	4PCS
			
C	2PCS	D	4PCS



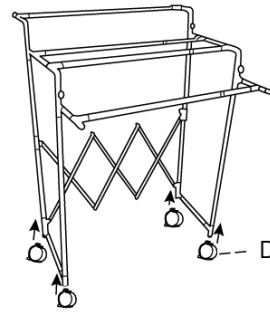
**STEP 1**



**STEP 2**



**STEP 3**



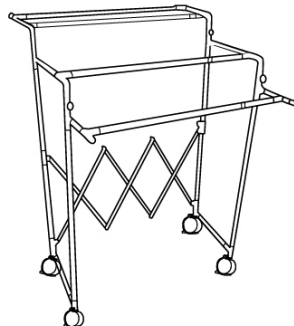
**STEP 4**



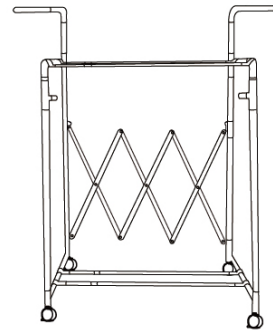
**Finished Product 1**



**Finished Product 2**



**Finished Product 3**



**Fold**

