

Assembly Instructions

43103706 WHITE SLIMLINE TROLLEY

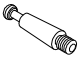



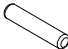



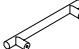
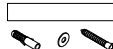
WARNING: DO NOT STAND, SIT OR LEAN ON THE UNIT. DO NOT USE THIS UNIT AS A STEP LADDER. ENSURE THIS UNIT IS USED ONLY ON A FLAT SURFACE. DO NOT USE THIS UNIT UNLESS ALL BOLTS AND SCREWS ARE FIRMLY SECURED. DO NOT PLACE HOT OBJECTS SUCH AS COFFEE CUPS DIRECTLY ON THE SURFACE OF THIS FURNITURE ITEM. THIS ITEM IS FOR STORAGE PURPOSE ONLY. CONTAINS SMALL PARTS. IT IS TO BE ASSEMBLED BY AN ADULT. FAILURE TO FOLLOW THESE WARNINGS COULD RESULT IN SERIOUS INJURY.

CARE INSTRUCTION: WIPE CLEAN WITH A SOFT DAMP CLOTH. NEVER USE SCOURERS, ABRASIVES OR CHEMICAL SOLVENTS. KEEP AWAY FROM MOISTURE AND DIRECT SUNLIGHT. STORE IN A DRY PLACE FOR INDOOR USE ONLY.

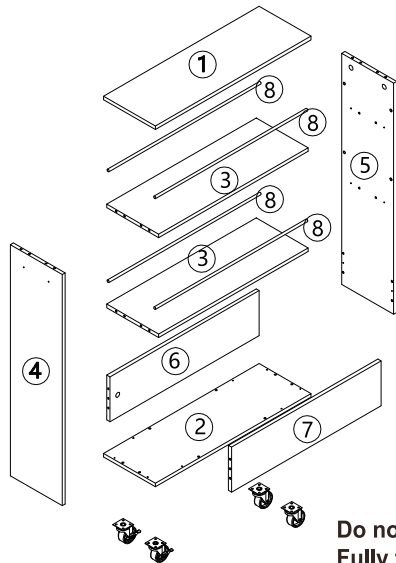
MAXIMUM SAFE LOAD: 5KG FOR TOP PANEL, 5KG FOR MIDDLE SHELF, 10KG FOR BOTTOM SHELF

①

Hardware List

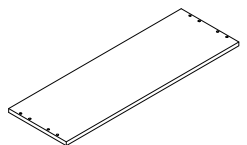
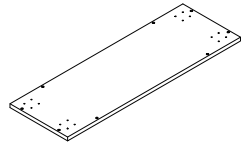
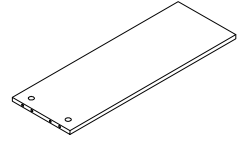
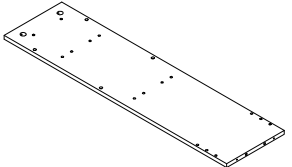
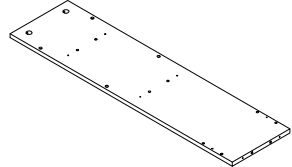
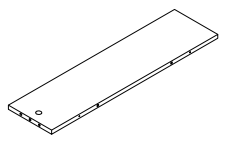
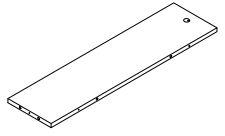
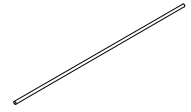
	A	M6x35mm	10pcs		F	M4x18mm	2pcs
	B	Ø15x9.5mm	10pcs		G		2pcs
	C	Ø6x30mm	28pcs		H		2pcs
	D	M4x35mm	14pcs		I	M4x12mm	16pcs
	E		1pc		J	M4x35mm	2pcs

②

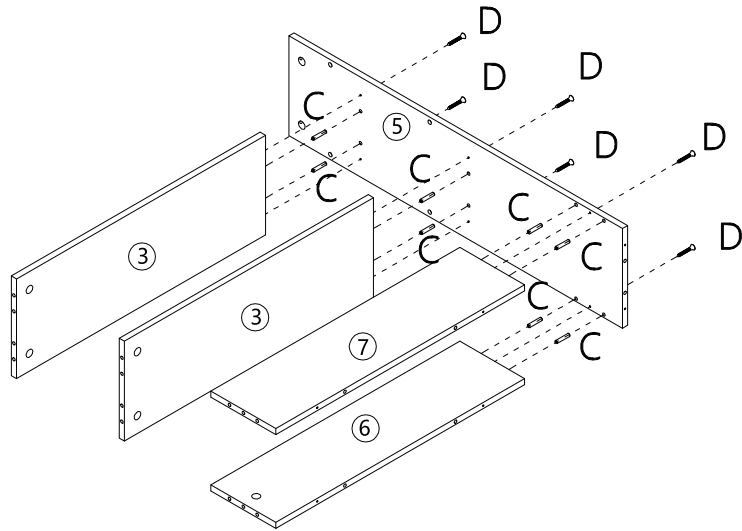
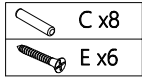


Do not tighten the screws fully during assembly.
Fully tighten screws after the final assembly steps

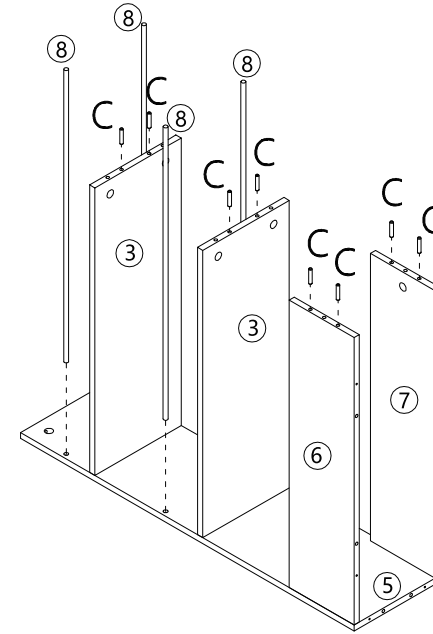
③

		
①	②	③
1PC	1PC	2PCS
		
④	⑤	⑥
1PC	1PC	1PC
		
⑦	⑧	
1PC	4PCS	

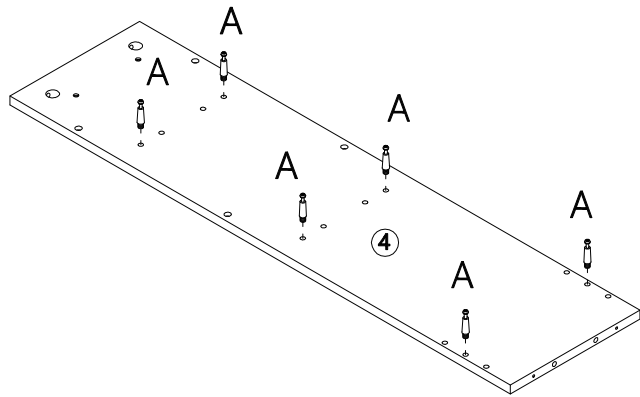
STEP 1:



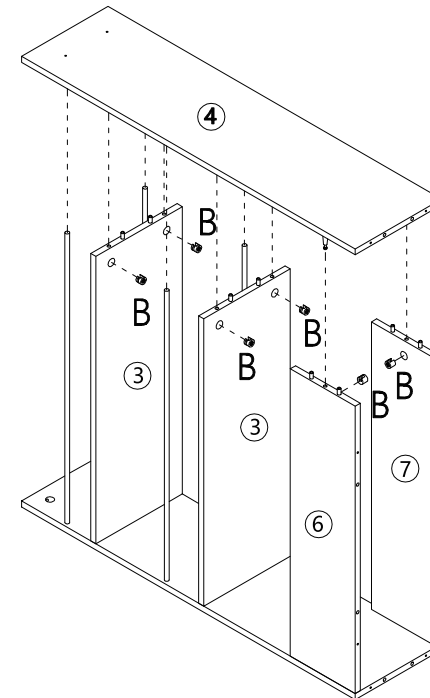
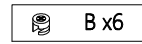
STEP 2:





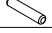

STEP 3:

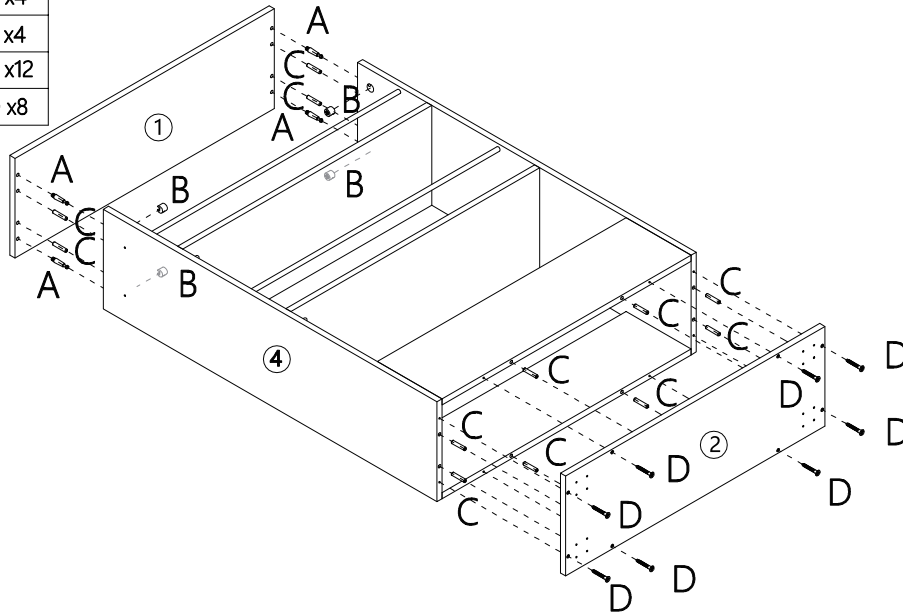


STEP 4:




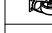



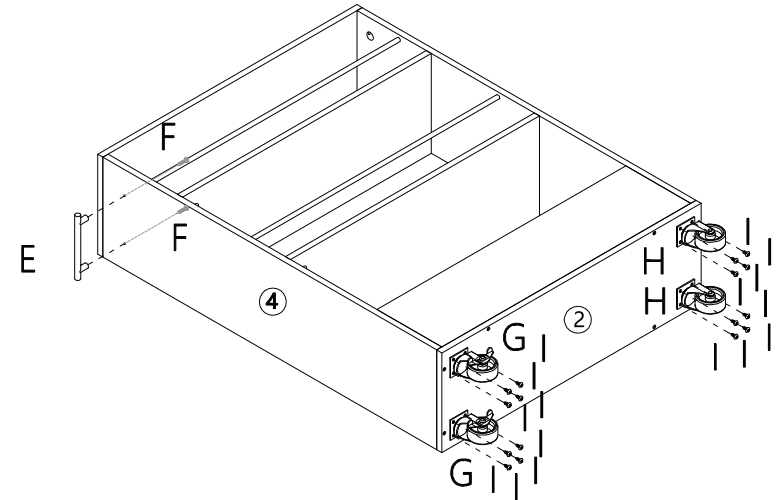
STEP 5:

	A x4
	B x4
	C x12
	D x8



STEP 6:

	E x1
	F x2
	G x2
	H x2
	I x16



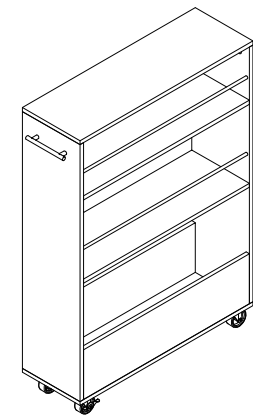
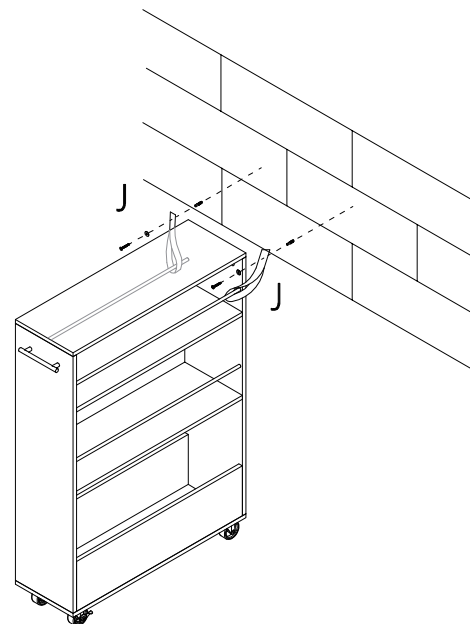
STEP 7:

	J x2
--	------

- Please seek professional advice if you are in doubt of what fixing device to use.
- Regularly check that anchors are securely maintained.
- Stability of tall items may be affected by thick pile carpet or uneven floors .
- Do not place unanchored televisions on furniture .

CAUTION: for your safety when attaching the anchor fixings, please note the following:

- Check any electrical wires or plumbing inside the wall before drilling any holes (if you are unsure please seek professional advice from a qualified tradesperson).



WARNING: PLEASE SECURE YOUR FURNITURE WITH THE SUPPLIED WALL FIXING. SCAN THE CODE FOR MORE INFORMATION.

