

Assembly Instructions

43103737 BLACK KITCHEN TROLLEY

CARE INSTRUCTIONS:

WIPE CLEAN WITH A SOFT DAMP CLOTH. WHEN USE THE TOP AS A CHOPPING SURFACE, LOCK ALL WHEELS AND PLACE THE TROLLEY AGAINST WALL OR OTHER FIXED UNIT TO AVOID UNINTENDED MOVING. CHECK AND TIGHTEN ALL PARTS REGULARLY. FOR INDOOR AND DOMESTIC USE ONLY.

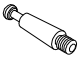

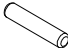










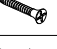

WARNING:






DO NOT STAND OR SIT ON THIS UNIT. DO NOT USE THIS UNIT AS A STEP LADDER. DO NOT USE UNTIL ALL BOLTS AND SCREWS ARE FIRMLY SECURED. KEEP AWAY FROM CHILDREN AND BABIES UNTIL ASSEMBLY IS COMPLETE. ADULT ASSEMBLY REQUIRED. ALWAYS SET UP THIS ITEM ON A FLAT EVEN SURFACE. ENSURE PRODUCT IS STABLE AND LOAD EVENLY.

MAXIMUM SAFE LOAD: 15KG FOR TOP PANEL, 3KG FOR DRAWER, 5KG FOR SERVING TRAY, 5KG FOR WIRE BASKET, 5KG FOR BOTTOM SHELF.

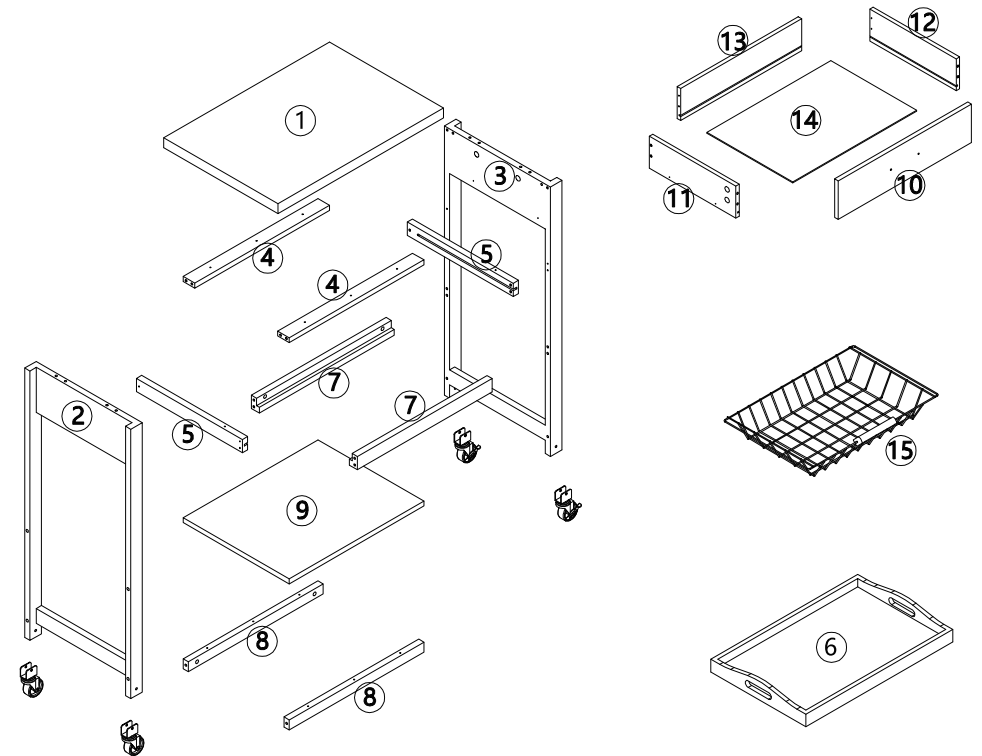
①

Hardware List

	A	M6x35mm	12pcs
	B	Ø15x9.5mm	12pcs
	C	Ø6x30mm	12pcs
	D	M4x35mm	22pcs
	E	M6x70mm	8pcs
	F	M10x9.5mm	8pcs
	G	M4x25mm	1pc
	H		1pc
	I		1pc
	J		1pc
	K		1pc
	L		1pc
	M	M3x12mm	8pcs
	N	M3x30mm	2pcs
	O		2pcs

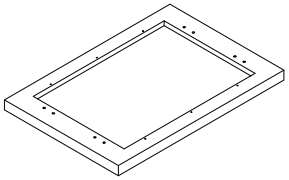
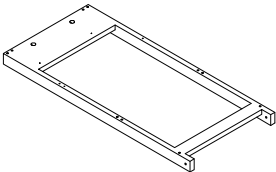
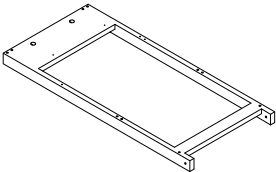
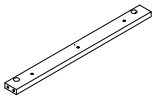
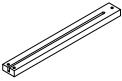
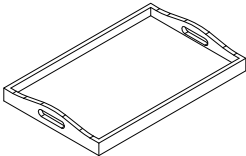
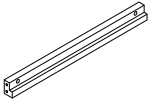
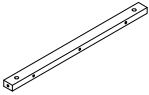
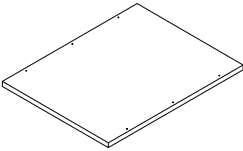
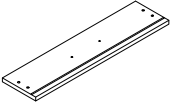
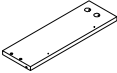
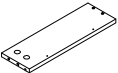

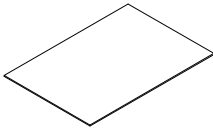

	P		2pcs
	Q	M6x30mm	4pcs
	R		4pcs
	S		1pc
	T		1pc

②








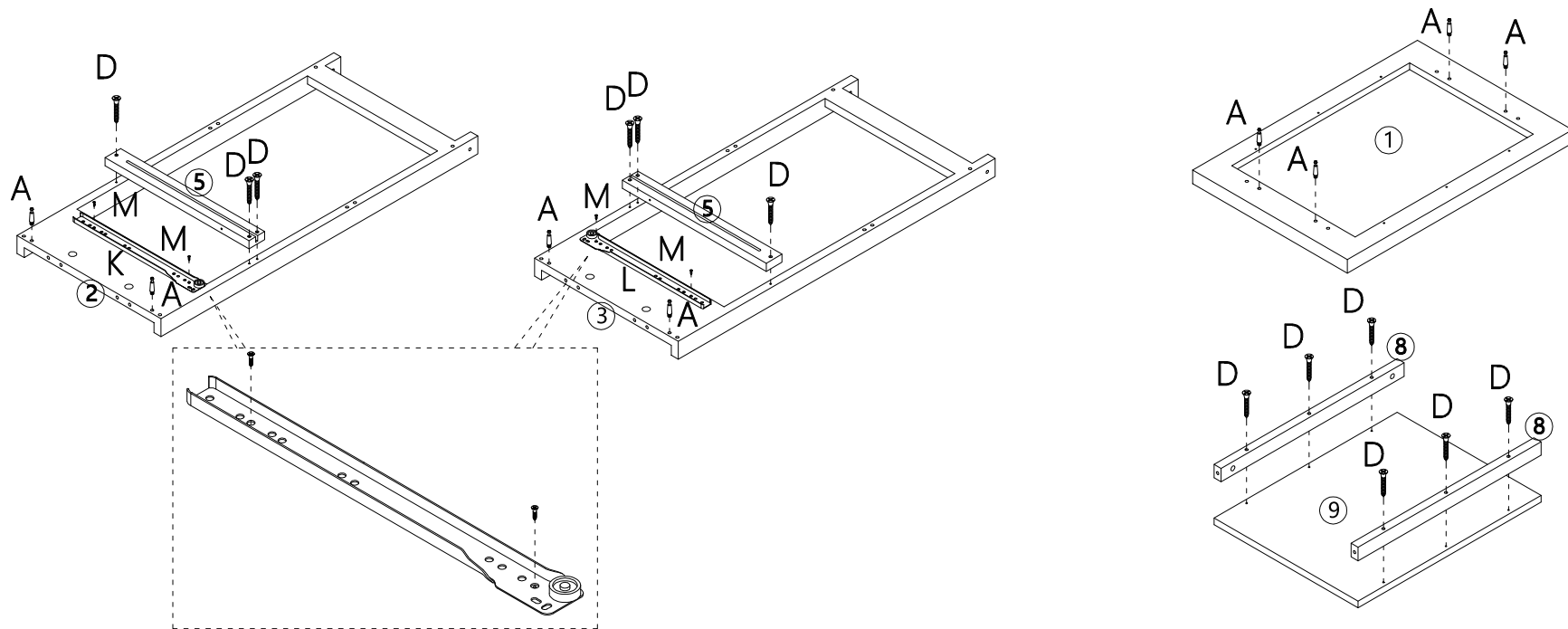
Do not tighten the screws fully during assembly.
Fully tighten screws after the final assembly steps

3





					
① 1PC	② 1PC	③ 1PC	④ 2PCS	⑤ 2PCS	⑥ 1PC
					
⑦ 2PCS	⑧ 2PCS	⑨ 1PC	⑩ 1PC	⑪ 1PC	⑫ 1PC
					
⑬ 1PC	⑭ 1PC	⑮ 1PC			

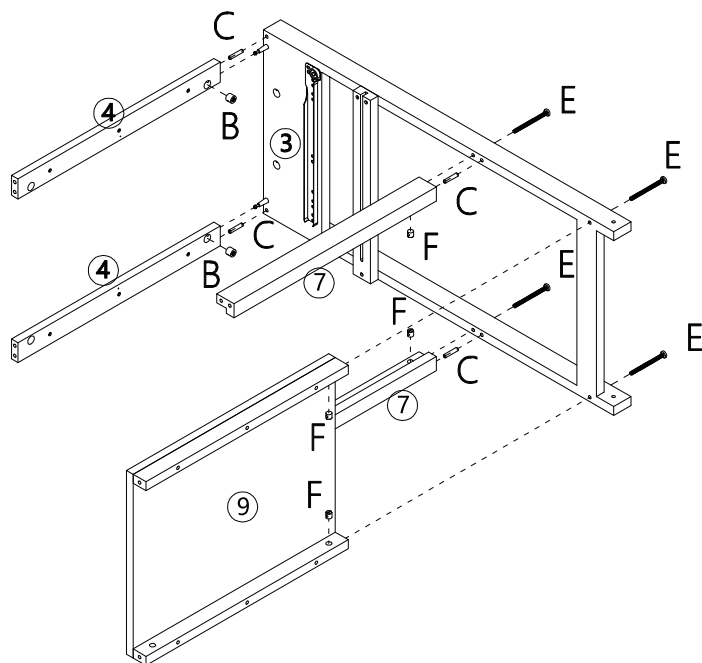
STEP 1:

	A x8
	D x12
	K x1
	L x1
	M x4




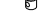


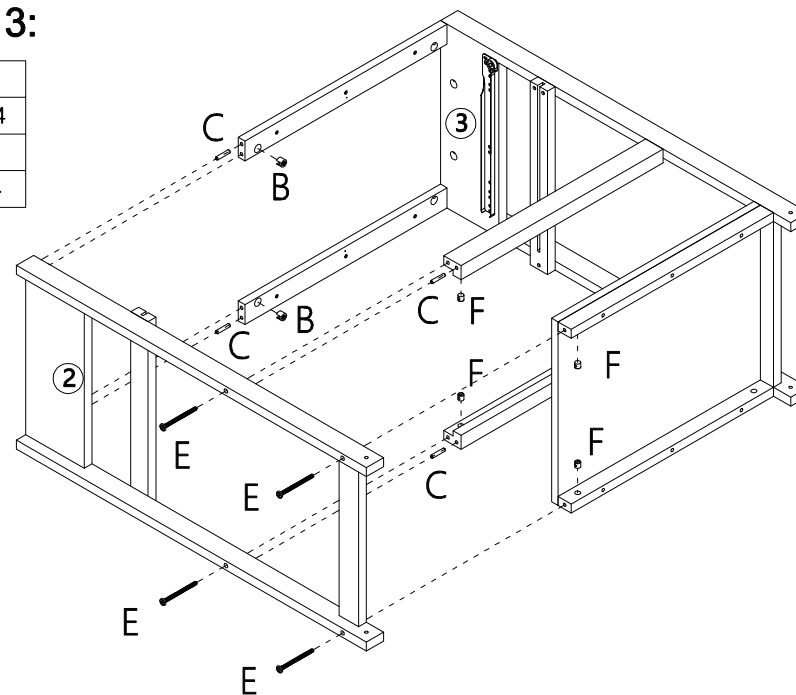
STEP 2:

	B x2
	C x4
	E x4
	F x4






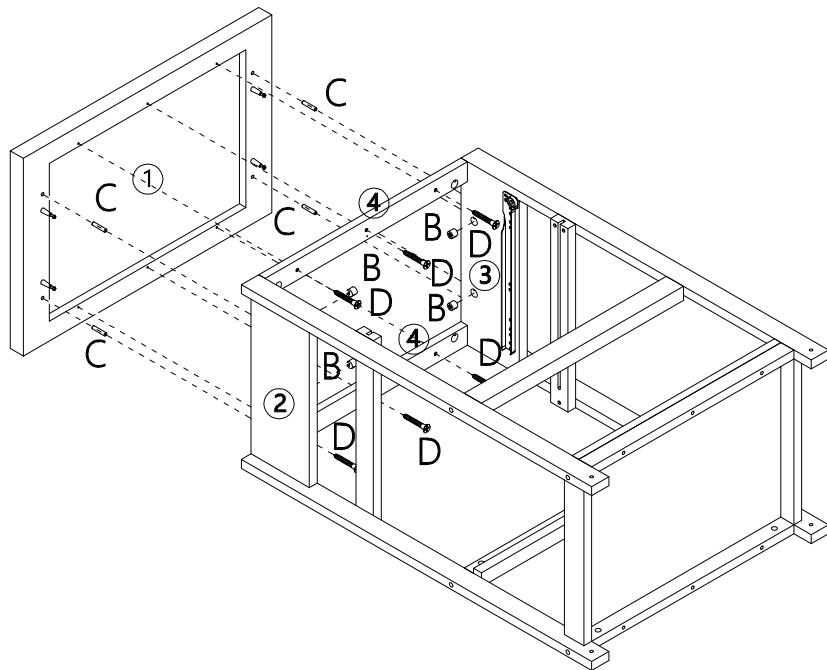
STEP 3:

	B x2
	C x4
	E x4
	F x4







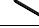


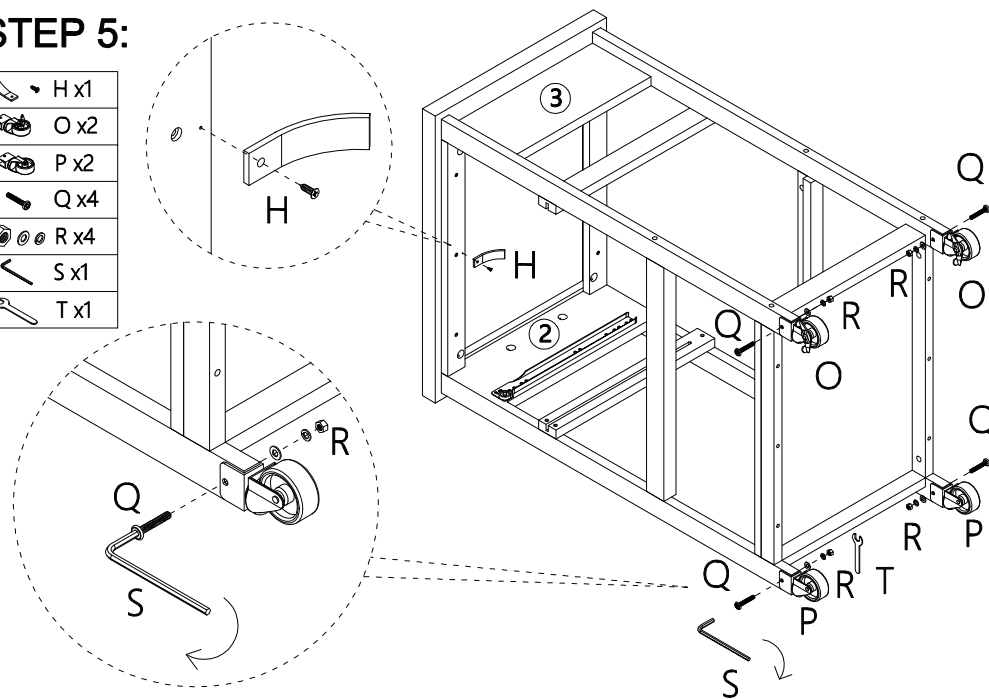
STEP 4:

-  B x4
-  C x4
-  D x6






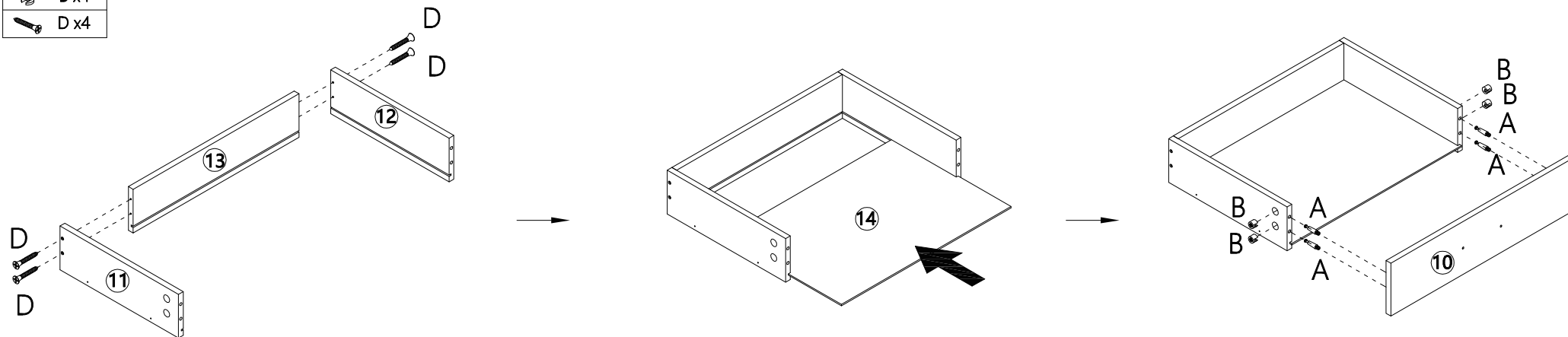
STEP 5:

-  H x1
-  O x2
-  P x2
-  Q x4
-  R x4
-  S x1
-  T x1



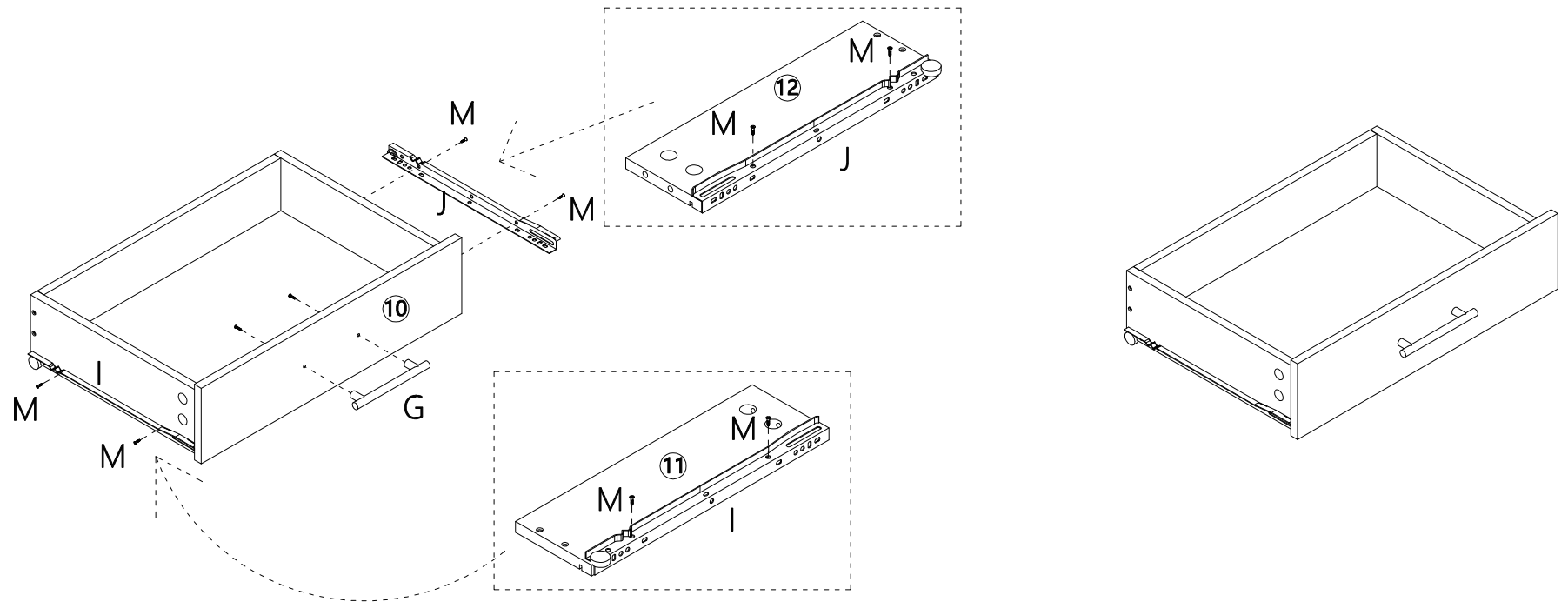
STEP 6:

-  A x4
-  B x4
-  D x4



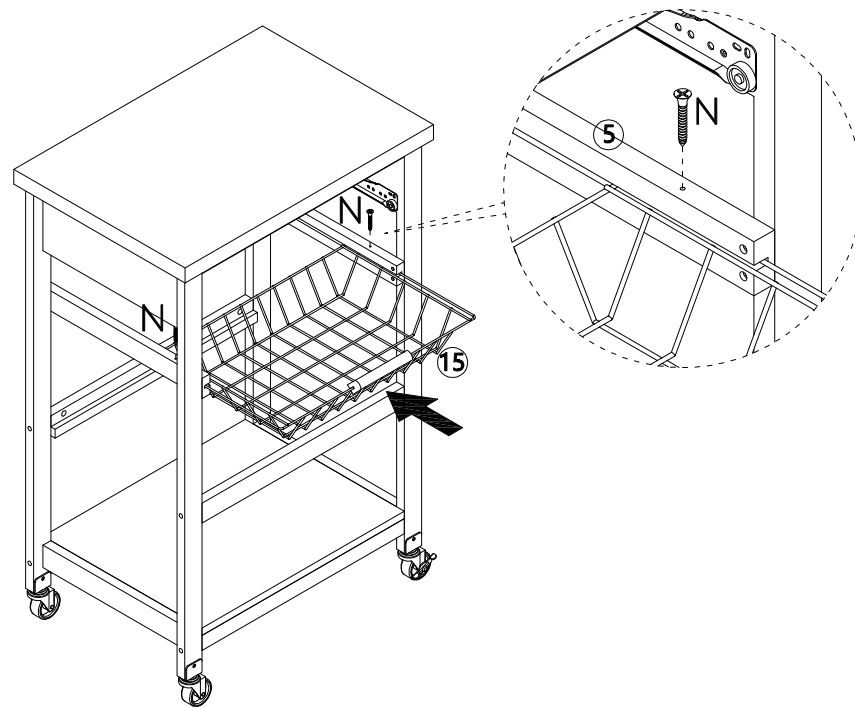
STEP 7:

- G x1
- I x1
- J x1
- M x4



STEP 8:

- N x2



STEP 9:

