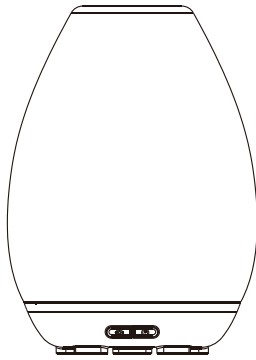


100mm
100mm
100mm
100mm
100mm

110mm

43103768

TORTOISE SHELL LOOK AROMA DIFFUSER Instruction Manual



Create an aromatic, soothing atmosphere in your home. Use ultrasonic vibration to transform water into mist. Essential oil can be added to create fragrance.

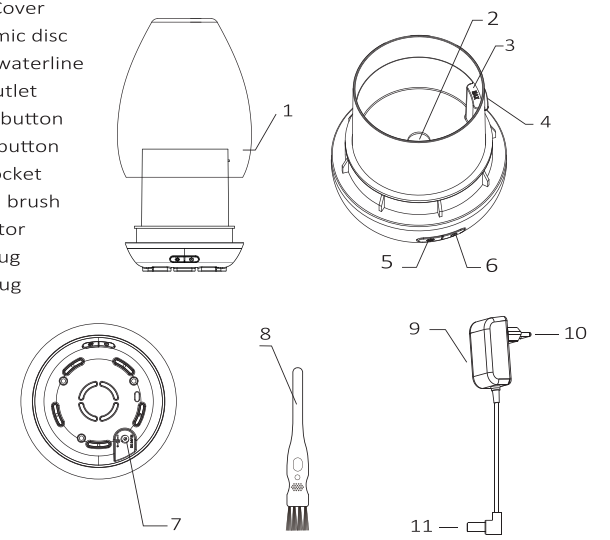
IMPORTANT!
Care should be taken with the use of diffusers around animals. Both the choice of essential oils and where animals are should be taken into consideration when in use.

Includes

Main Unit
AC Adapter: Input 100~240V.a.c Output 24V.d.c

Names of parts

- Top Cover
- Ceramic disc
- Max waterline
- Air outlet
- Light button
- Mist button
- DC socket
- Clean brush
- Adaptor
- AC plug
- DC plug



Timer, Mist and Light Buttons

■ **Light Button (Left side)**

- 1st press: turn the light on and the colour will change automatically.
- 2nd press: freeze the current colour.
- 3rd press: turn off the light.

■ **Mist Button (Right side)**

- 1st press: the continuous mist mode will turn on.
- 2nd press: switch to intermittent mist with 15 second intervals.
- 3rd press: turn off the mist.

■ **Light Settings**

- Press Light button (5) to turn on the light, light colour will automatically change from white, red, orange, yellow, green, cyan, blue and purple cycling.
- Setting the colour – during automatic colour change, push the light button (5) once your desired colour is displayed.
- Press light button (5) again to stop the light function

■ **Water capacity: 120ml.**

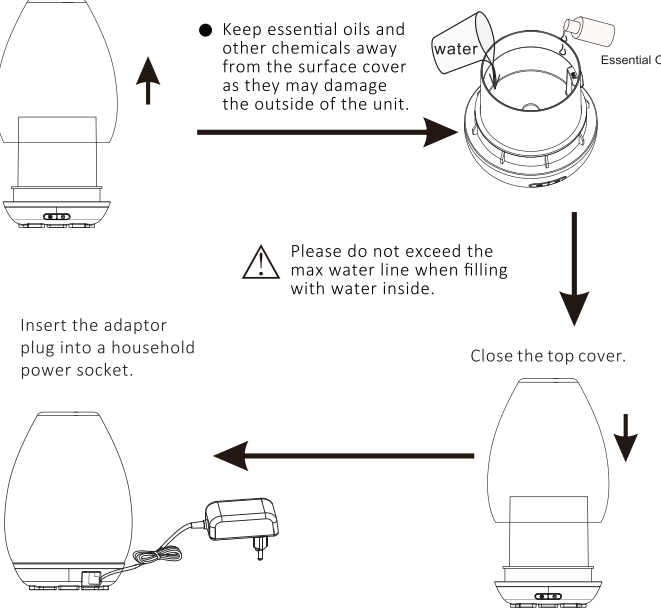
This machine has a water shortage detector which will automatically power the unit off if it has no water. Please ensure there is always adequate water to avoid the machine being burnt or broken.

■ **Auto shut off function:** When water runs out, unit will switch off. The machine will automatically power off if abnormal overheating is detected.

■ **Operation time:** Up to 4 hours.

Set up

Open the top cover.
Add around 120ml tap water inside the water tank then add 2 to 3 drops of essential oil, depending on your preference of more or less fragrance.



● Keep essential oils and other chemicals away from the surface cover as they may damage the outside of the unit.

⚠ Please do not exceed the max water line when filling with water inside.

Insert the adaptor plug into a household power socket.

Close the top cover.

Cleaning and maintenance

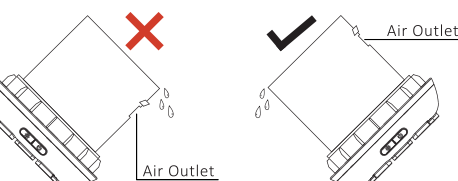
The machine should be cleaned after using for 3-5 days continuously, to keep it working normal and extend the lifetime.

- Unplug the machine before cleaning.
- Please clean water tank with a brush and white vinegar or the dilution of detergent and warm water. Others part of the plastic cover can be cleaned with a soft cloth.
- Please do not put the whole machine or base into water. Temperature of water cannot be over 40 degrees to clean.
- When the machine is not used for a long period of time, please pour out the water in the tank and wipe off the drops, then place it in a shady and cool place to avoid direct sunlight.
- Please clean the tank regularly.

Caution:
Please do not pour out water through the air outlet as this can damage the inside of the machine.

How to pour out the water

To avoid water flowing into the air outlet, please pour out the water correctly.



100mm
100mm
100mm
100mm
100mm

110mm

Attention

- To prevent less or no steam from the diffuser, do not add water above the max level mark.
- To prevent melting damage, do not add more than 5 drops of essential oil into the container.
- Do not use as a medical respirator.
- Do not use the product when there is an abnormal noise or the diffuser is overheating abnormally.
- Do not cover or block the mist outlet or air inlet.
- Do not take off the cover during operation of the diffuser.
- Do not place near an electric device such as computer, TV or audio equipment.
- Do not use hot water or mineral water. Always use tap water or distilled water.
- Keep out reach of children and pets.

Warning

- Important safety instructions:
The following safety precautions should always be followed, to reduce the risk of electric shock, personal injury or fire. It is important to read all of these instructions carefully before using the product, and to save them for future reference or new users.
- Unplug the appliance during filling and cleaning.
- This appliance is not intended for use by persons (including children) with reduced physical, sensory or mental capabilities, or lack of experience and knowledge, unless they have been given supervision or instruction concerning use of the appliance by a person responsible for their safety.
- Children should be supervised to ensure that they do not play with the appliance.
- Care should be taken when using the appliance due to the emission of hot water vapour.
- The appliance is only to be used with the recommended vaporizing medium. The use of other substance may give rise to a toxic or fire risk.
- Use supplied AC adaptor only.

Troubleshooting

If you start up the machine but it doesn't work, please check the following diagnosis.

Problems	Possible Reasons	Solution
No electricity, not working.	Power not connected.	Connect the power, press the button.
	Power wire broken or adaptor burnt out.	Please contact local retailer.
Unable to spray mist or spray is bad.	Is the water level low?	Please fill with more water.
	Is there too much water inside the tank?	If the water volume exceeds 120ml (max water line), the mist volume will be minimal.
	Is the ceramic disc dirty?	Please clean the water tank.
	Is the top cover correctly placed?	Please place top cover in the correct spot.
Main body is leaking water.	Is the bottom air inlet dirty?	Please clear away the dust in the bottom air inlet.
	Is the top cover correctly covered?	If the top cover is not correctly covered, the water will splash out and fall onto the machine body or table.
	Condensation water on the body may be caused by low-temperature or a humid environment.	Please avoid low-temperature and humid environments.

12 Month Warranty:

Thank you for your purchase from Kmart.

Kmart Australia Ltd warrants your new product to be free from defects in materials and workmanship for the period stated above, from the date of purchase, provided that the product is used in accordance with accompanying recommendations or instructions where provided. This warranty is in addition to your rights under the Australian Consumer Law.

Kmart will provide you with your choice of a refund, repair or exchange (where possible) for this product if it becomes defective within the warranty period. Kmart will bear the reasonable expense of claiming the warranty. This warranty will no longer apply where the defect is a result of alteration, accident, misuse, abuse or neglect.

Please retain your receipt as proof of purchase and contact our Customer Service Centre on 1800 124 125 (Australia) or 0800 945 995 (New Zealand) or alternatively, via Customer Help at Kmart.com.au for any difficulties with your product. Warranty claims and claims for expense incurred in returning this product can be addressed to our Customer Service Centre at 690 Springvale Rd, Mulgrave Vic 3170.

Our goods come with guarantees that cannot be excluded under the Australian Consumer Law. You are entitled to a replacement or refund for a major failure and compensation for any other reasonably foreseeable loss or damage. You are also entitled to have the goods repaired or replaced if the goods fail to be of acceptable quality and the failure does not amount to a major failure.

For New Zealand customers, this warranty is in addition to statutory rights observed under New Zealand legislation.

anko