

Assembly Instructions




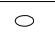



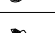
43106950 2 SECTION MODULAR UNIT

CARE INSTRUCTIONS: WIPE CLEAN WITH A DRY CLOTH. DO NOT USE ABRASIVE MATERIALS AND SOLVENTS. CHECK AND TIGHTEN ALL PARTS REGULARLY. DO NOT PLACE HOT ITEMS SUCH AS COFFEE CUPS DIRECTLY ON THE SHELF. KEEP AWAY FROM WATER AND DIRECT SUNLIGHT. STORE IN A DRY PLACE. FOR INDOOR DOMESTIC USE ONLY.

WARNING: DO NOT STAND OR SIT ON THIS UNIT. DO NOT USE THIS UNIT UNLESS ALL BOLTS AND SCREWS ARE FIRMLY SECURED. DO NOT KNOCK OR DRAG THIS UNIT. USE ONLY ON A FLAT SURFACE. ADULT ASSEMBLY REQUIRED. FAILURE TO FOLLOW THESE WARNING COULD RESULT IN SERIOUS INJURY. THIS PACKAGE CONTAINS SMALL PARTS AND SHARP POINTS. KEEP AWAY FROM CHILDREN AND BABIES. **MAXIMUM LOADING WEIGHT OF TOP AND EACH SHELF: 5KG.**

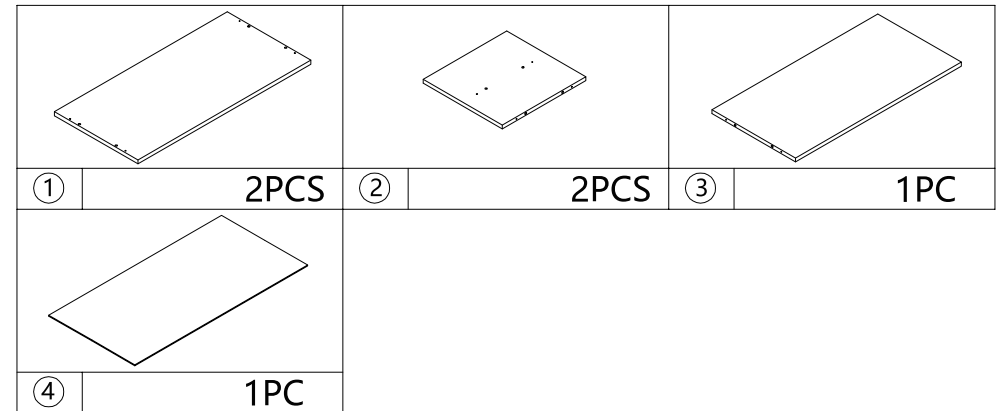
1

Hardware List

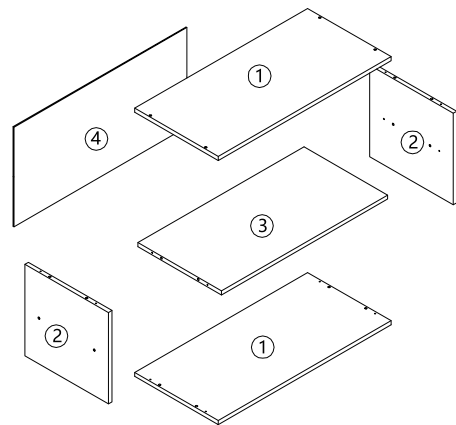
	a	4x35mm	12pcs
	b	6x30mm	12pcs
	c	2x16mm	10pcs
	d	∅15mm	12pcs
	e	4x12mm	1pc
	f	4x35mm	1pc
	g		2pcs
	h	3x15mm	4pcs

ADDITIONAL TOOLS REQUIRED:
HAMMER.
ATTENTION:
DO NOT TIGHTEN THE SCREWS
FULLY DURING ASSEMBLY.
FULLY TIGHTEN SCREWS AFTER
THE FINAL ASSEMBLY STEP.

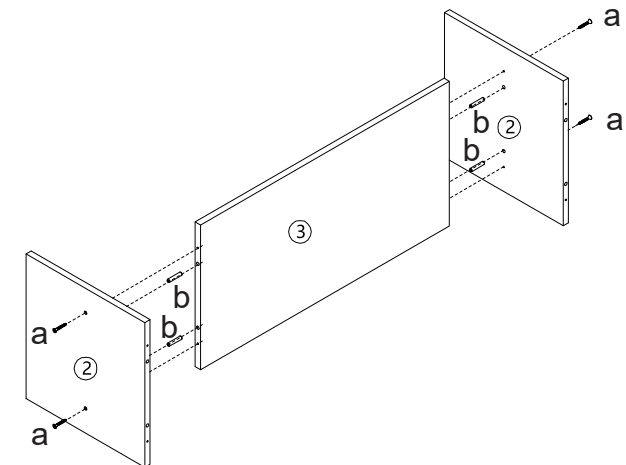
2


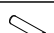


STEP 1

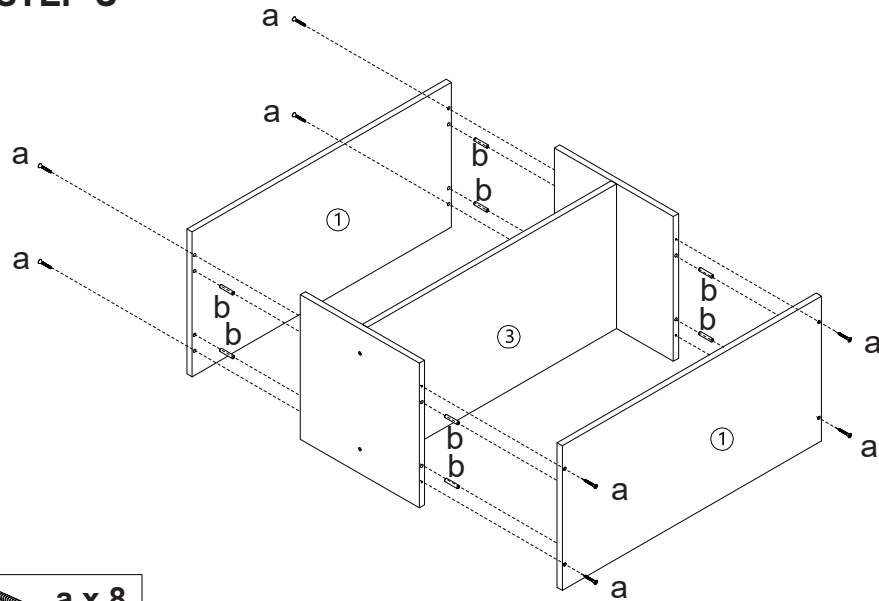


STEP 2



	a x 4
	b x 4

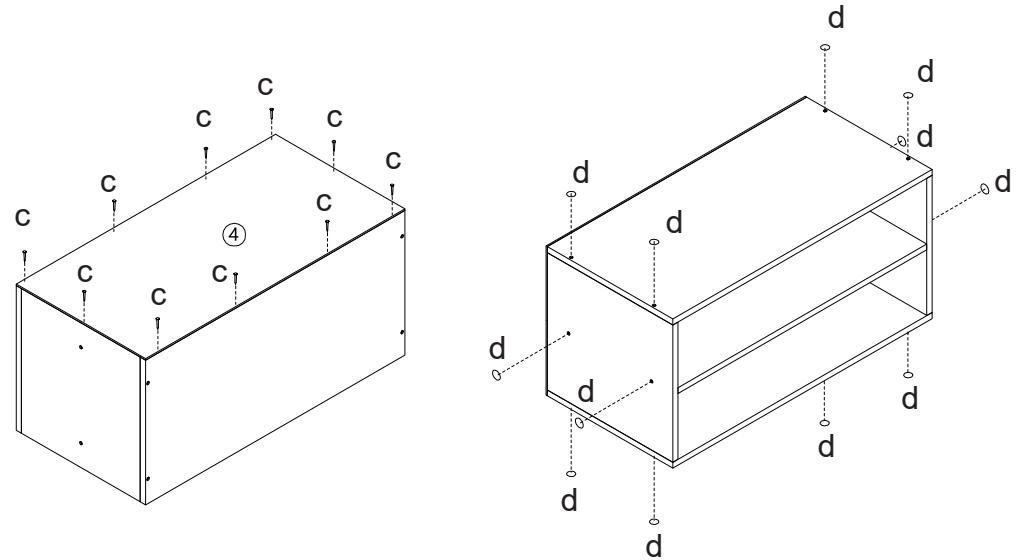
STEP 3



 a x 8

 b x 8

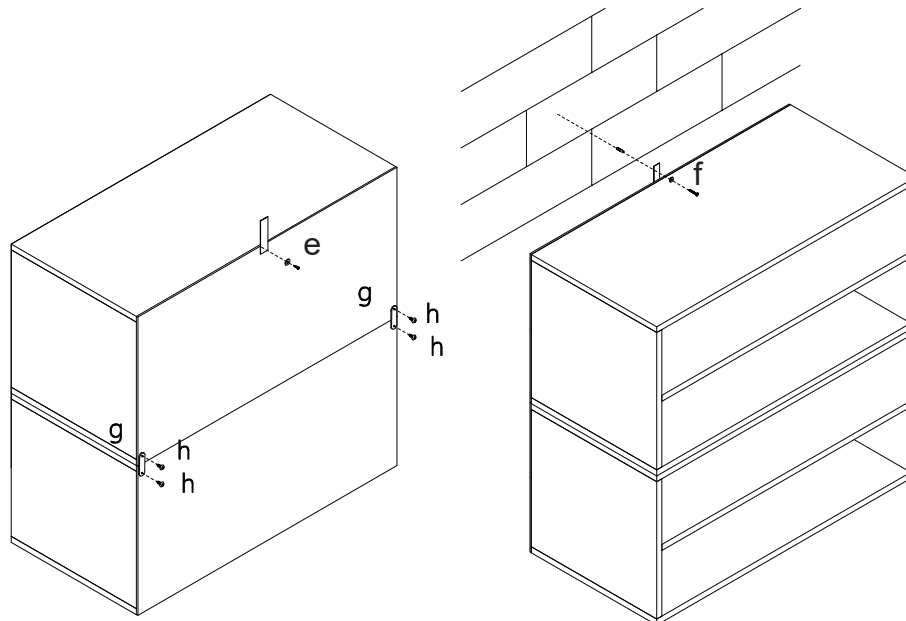
STEP 4



 c x 10

 d x 12

STEP 5



 e x 1

 g x 2

 h x 4

 f x 1

ADDITIONAL TOOLS REQUIRED IS
THE PHILIPS HEAD SCREW DRIVER

1. A maximum of 4 modular units shall be stacked.
2. Stack up and down only as pictured.

TOPPLING FURNITURE

WARNING:

- › It is strongly recommended that this product is permanently fixed to the wall.
- › Please seek professional advice if you are in doubt of what fixing device to use.
- › Regularly check that anchors are securely maintained.
- › Stability of tall items may be affected by thick pile carpet or uneven floors.
- › Do not place unanchored televisions on furniture.

Caution: for your safety when attaching the anchor fixings, please note the following:

- › Check any electrical wires or plumbing inside the wall before drilling any holes (if you are unsure please seek professional advice from a qualified tradesperson)



WARNING: PLEASE SECURE
YOUR FURNITURE WITH
THE SUPPLIED WALL FIXING.
SCAN THE CODE FOR
MORE INFORMATION.

