

# Assembly Instructions

## 43107544 3 CUBE STORAGE

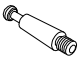

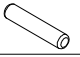

**WARNING:** DO NOT STAND, SIT OR LEAN ON THE UNIT. DO NOT USE THIS UNIT AS A STEP LADDER. ENSURE THIS UNIT IS USED ONLY ON A FLAT SURFACE. DO NOT USE THIS UNIT UNLESS ALL BOLTS AND SCREWS ARE FIRMLY SECURED. DO NOT PLACE HOT OBJECTS SUCH AS COFFEE CUPS DIRECTLY ON THE SURFACE OF THIS FURNITURE ITEM. THIS ITEM IS FOR STORAGE PURPOSE ONLY. CONTAINS SMALL PARTS. IT IS TO BE ASSEMBLED BY AN ADULT. FAILURE TO FOLLOW THESE WARNINGS COULD RESULT IN SERIOUS INJURY.





**CARE INSTRUCTION:** WIPE CLEAN WITH A SOFT DAMP CLOTH. NEVER USE SCOURERS, ABRASIVES OR CHEMICAL SOLVENTS. KEEP AWAY FROM MOISTURE AND DIRECT SUNLIGHT. STORE IN A DRY PLACE FOR INDOOR USE ONLY.

**MAXIMUM SAFE LOAD:** 20KG FOR TOP,5KG FOR SHELF

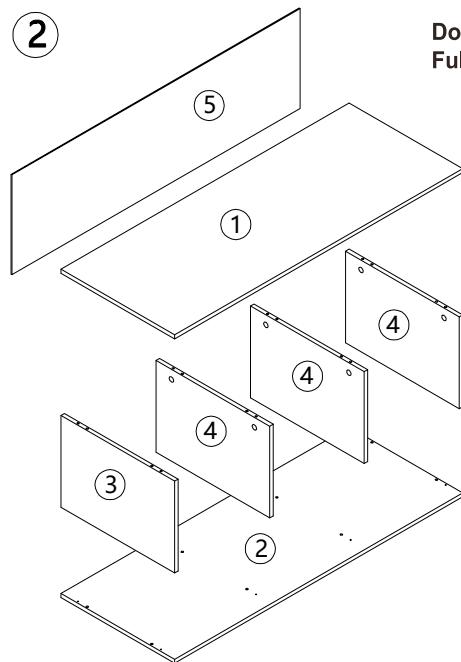
①

### Hardware List

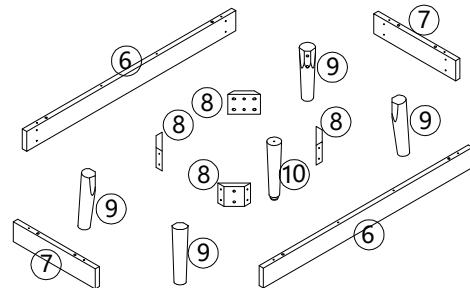
|   |   |           |       |
|---|---|-----------|-------|
|  | A | M6x35mm   | 8pcs  |
|  | B | Ø15x9.5mm | 8pcs  |
|  | C | Ø6x30mm   | 24pcs |
|  | D | M4x35mm   | 9pcs  |

|   |   |         |       |
|---|---|---------|-------|
|  | E | M4x55mm | 12pcs |
|  | F | M4x25mm | 16pcs |
|  | G | M6x55mm | 8pcs  |
|  | H | M2x16mm | 12pcs |

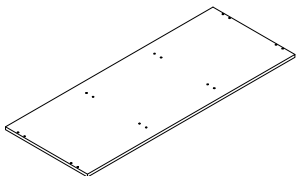
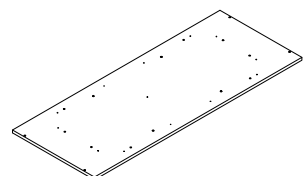
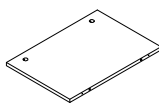
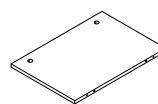
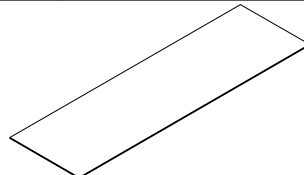
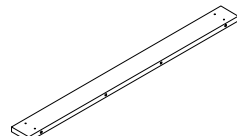
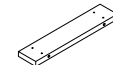

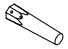

②



Do not tighten the screws fully during assembly.  
Fully tighten screws after the final assembly steps

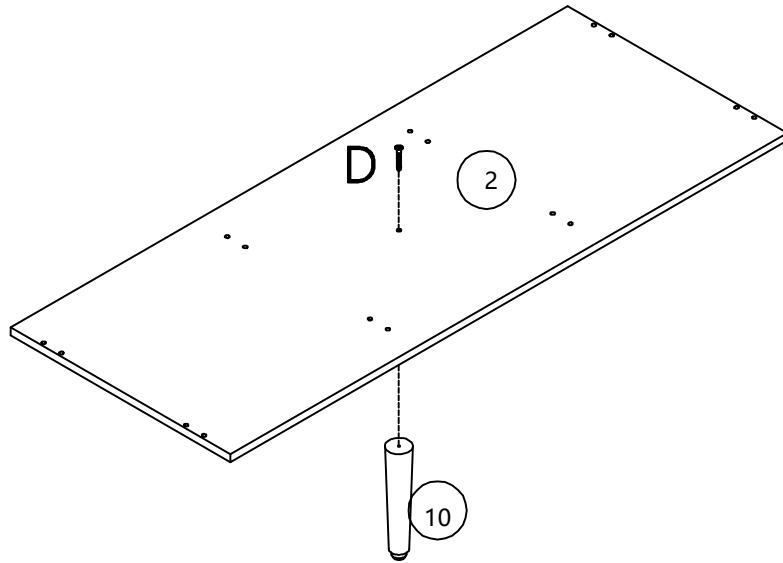


③



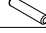

|   |   |   |
|---|---|---|
|    |    |    |
| ① 1PC   | ② 1PC   | ③ 1PC   |
|    |    |    |
| ④ 3PCS  | ⑤ 1PC   | ⑥ 2PCS  |
|  |  |  |
| ⑦ 2PCS  | ⑧ 4PCS  | ⑨ 4PCS  |
|  |   |   |
| ⑩ 1PC   |   |   |

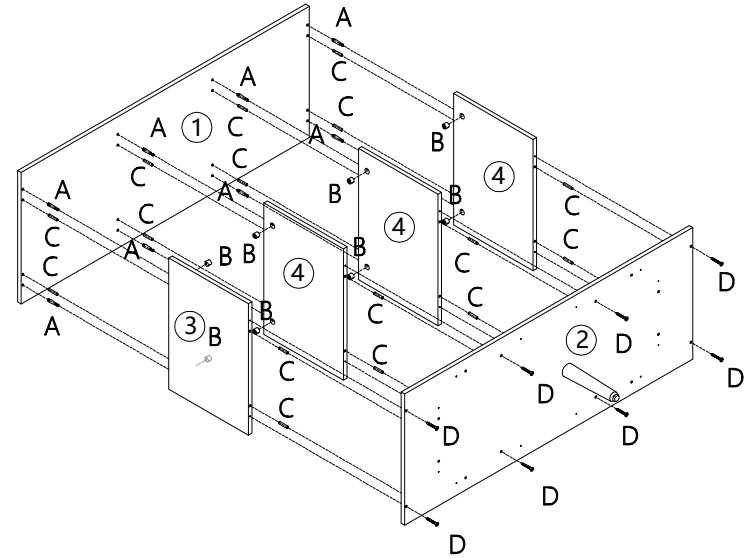
### STEP 1:

 D x1





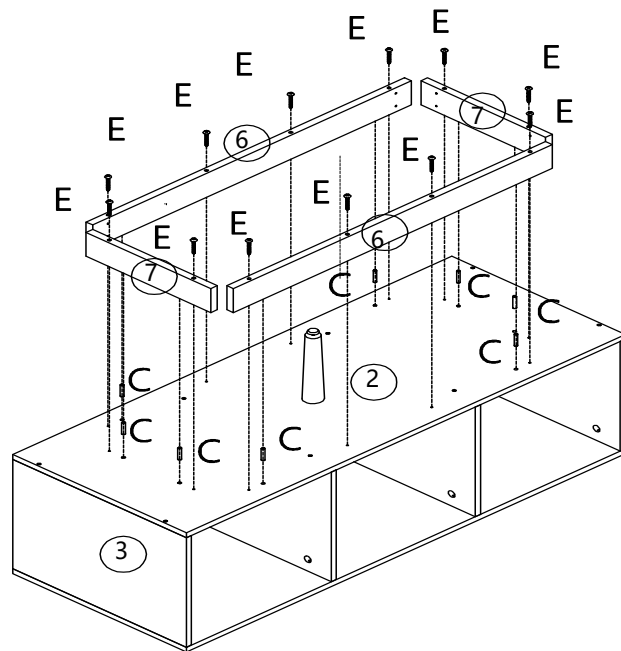
### STEP 2:

 A x8  
 B x8  
 C x16  
 D x8



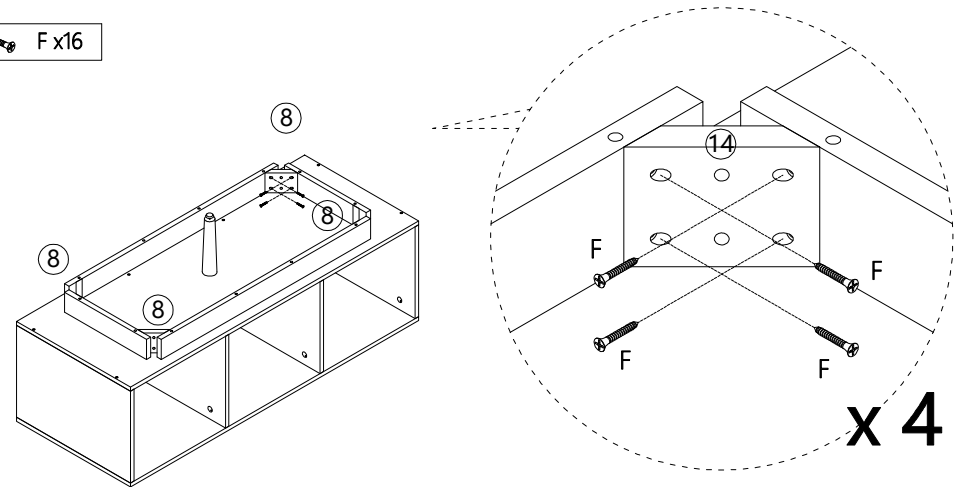
### STEP 3:

 C x8  
 E x12



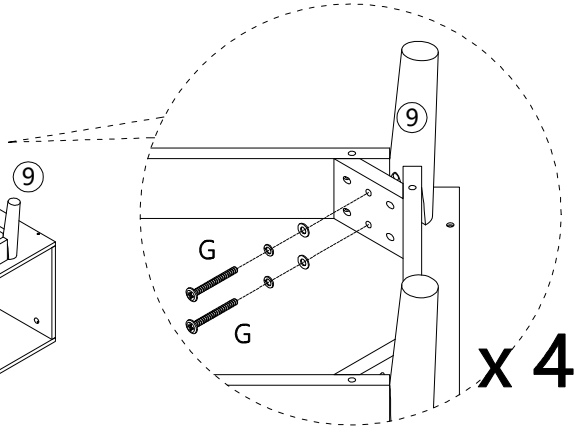
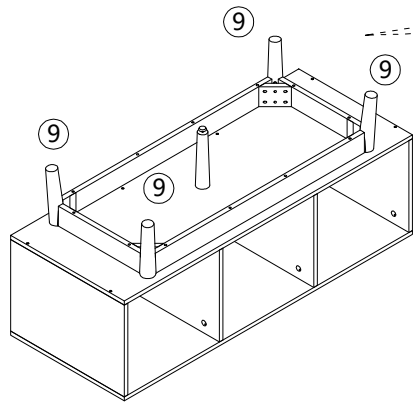
### STEP 4:

 F x16




### STEP 5:

 G x8



### STEP 6:

 H x12

