

Assembly Instructions














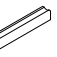









43107629 RATTAN DRESSING TABLE

CARE INSTRUCTIONS: WIPE CLEAN WITH A DAMP OR DRY CLOTH. DO NOT USE ABRASIVE MATERIALS AND SOLVENTS. DO NOT PLACE HOT ITEMS SUCH AS COFFEE CUPS DIRECTLY ON THE SURFACE OF THIS FURNITURE ITEM. KEEP AWAY FROM WATER AND DIRECT SUNLIGHT. STORE IN A DRY PLACE.FOR INDOOR AND DOMESTIC USE ONLY.

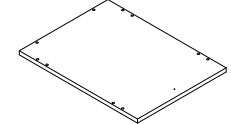
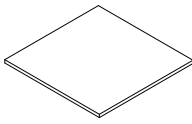
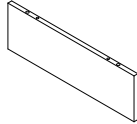
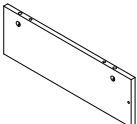
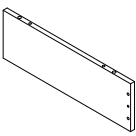
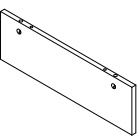

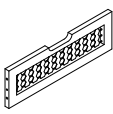
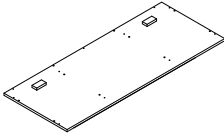

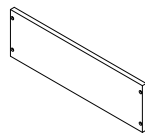
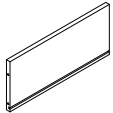
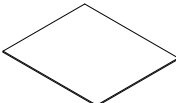
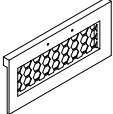
WARNING: DO NOT STAND OR SIT ON THIS ITEM. DO NOT USE UNTIL ALL SCREWS ARE FIRMLY SECURED. USE ONLY ON A FLAT SURFACE. ADULT ASSEMBLY REQUIRED. FAILURE TO FOLLOW THESE WARNINGS COULD IN SERIOUS INJURY.

MAXIMUM SAFE LOAD: TOP: 20KG, DRAWER: 5KG EACH.

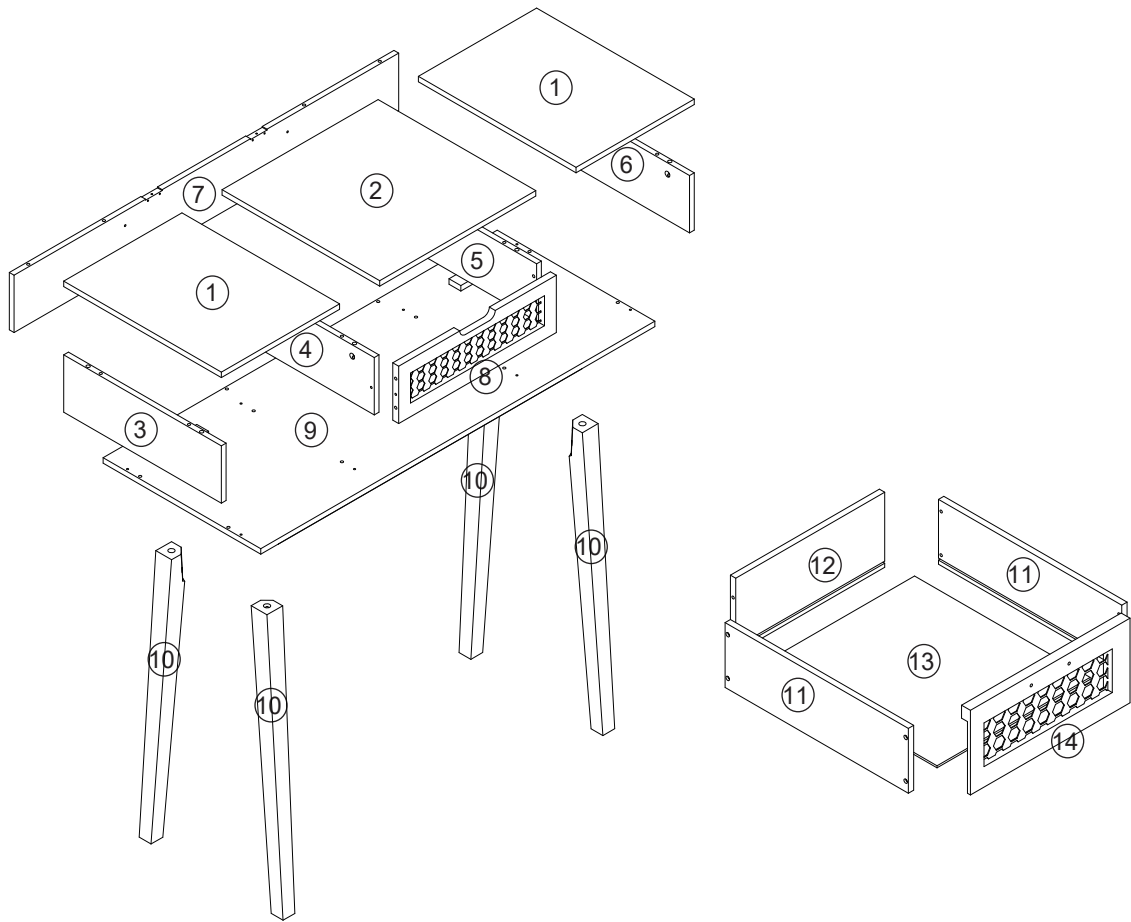
1 Hardware List



	A	6x30mm	26pcs		B	6x35mm	8pcs		C	12x10mm	8pcs
	D	4x30mm	15pcs		E	3x12mm	2pcs		F	55x15mm	2pcs
	G	12x60mm	4pcs		H	8x70mm	8pcs		I		8pcs
	J		8pcs		K		16pcs		L	3x18mm	16pcs
	M	4x35mm	4pcs		N	100x15 x20mm	2pcs		O	4x12mm	12pcs
	P		2pcs		Q		1pc		R		2pcs
	S		4pcs		T		2pcs		U	4x40mm	2pcs
	V		1pc		W	4x12mm	6pcs				

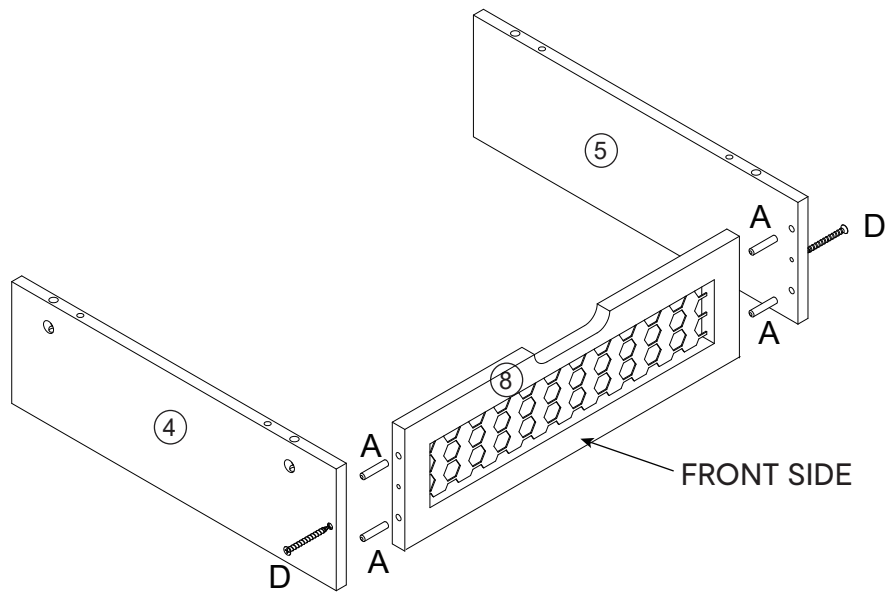
2 Parts List

							
①	1pc	②	1pc	③	1pc	④	1pc
							
⑤	1pc	⑥	1pc	⑦	1pc	⑧	1pc
							
⑨	1pc	⑩	4pcs	⑪	4pcs	⑫	2pcs
							
⑬	2pcs	⑭	2pcs				

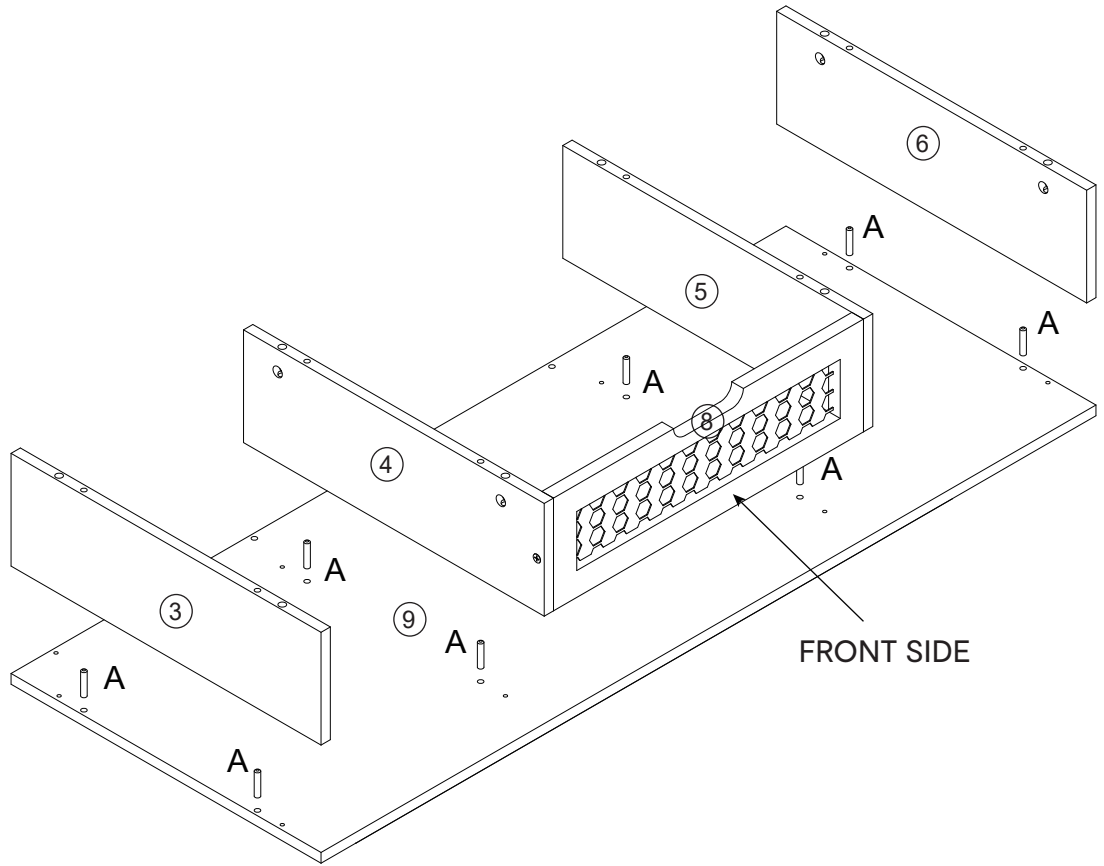
3



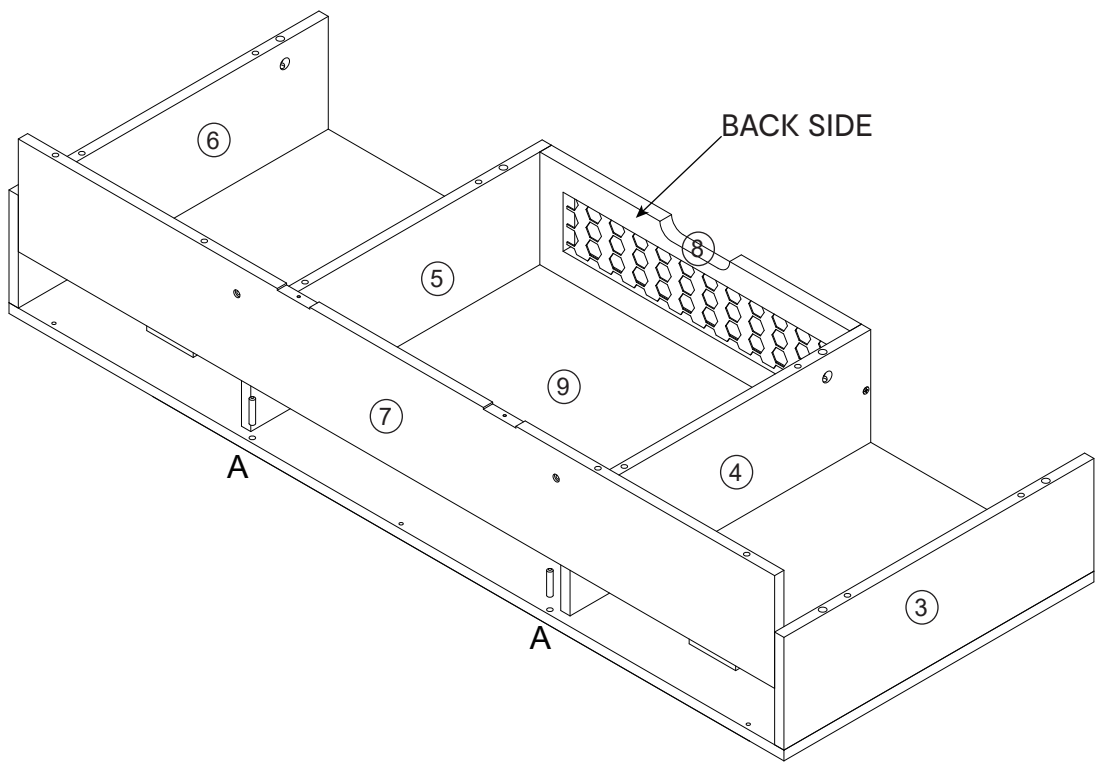
STEP 1 A -  x 4 D -  x 2



STEP 2 A -  x 8

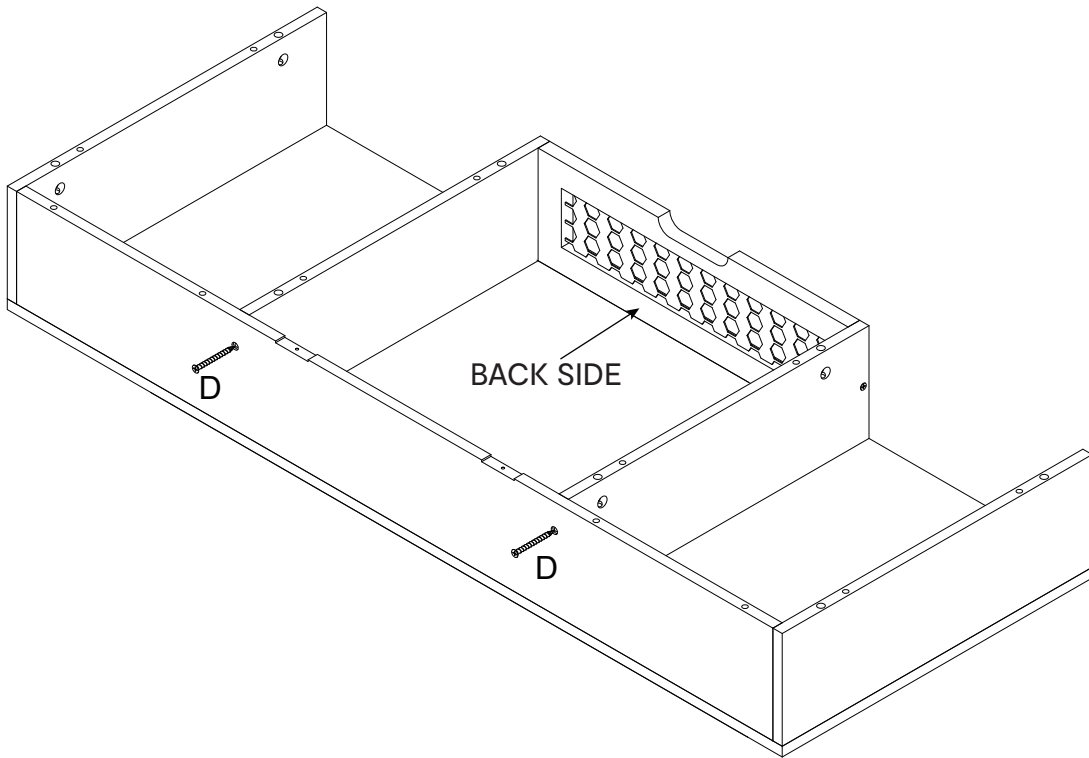


STEP 3 A -  x 2



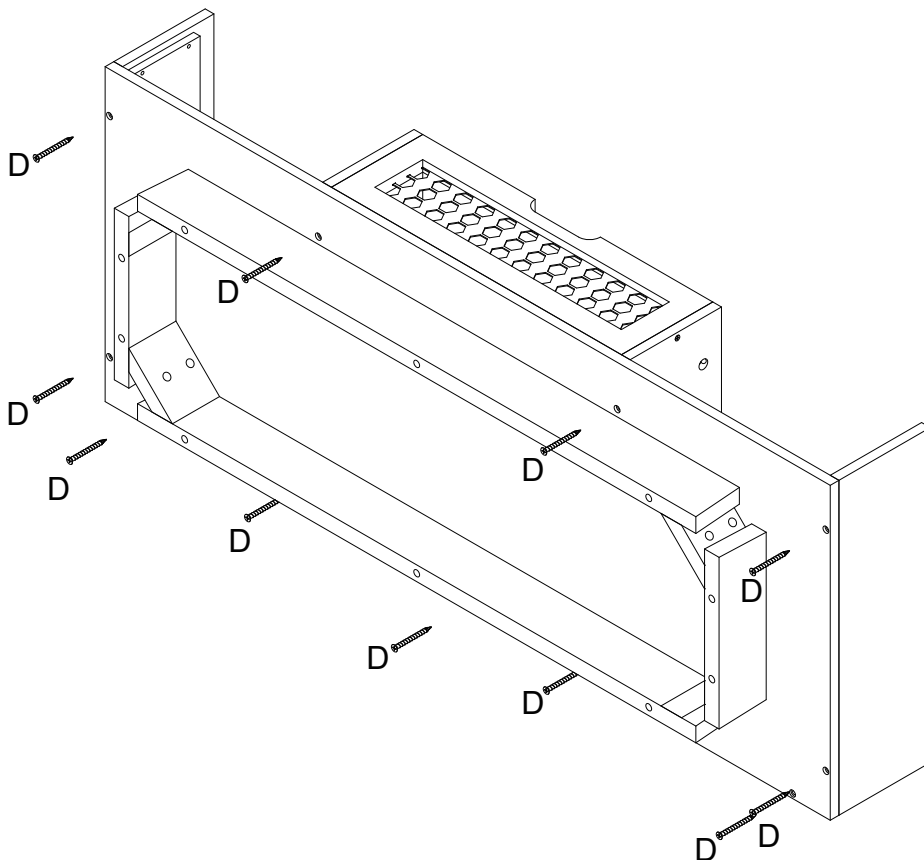
STEP 4

D -  x 2



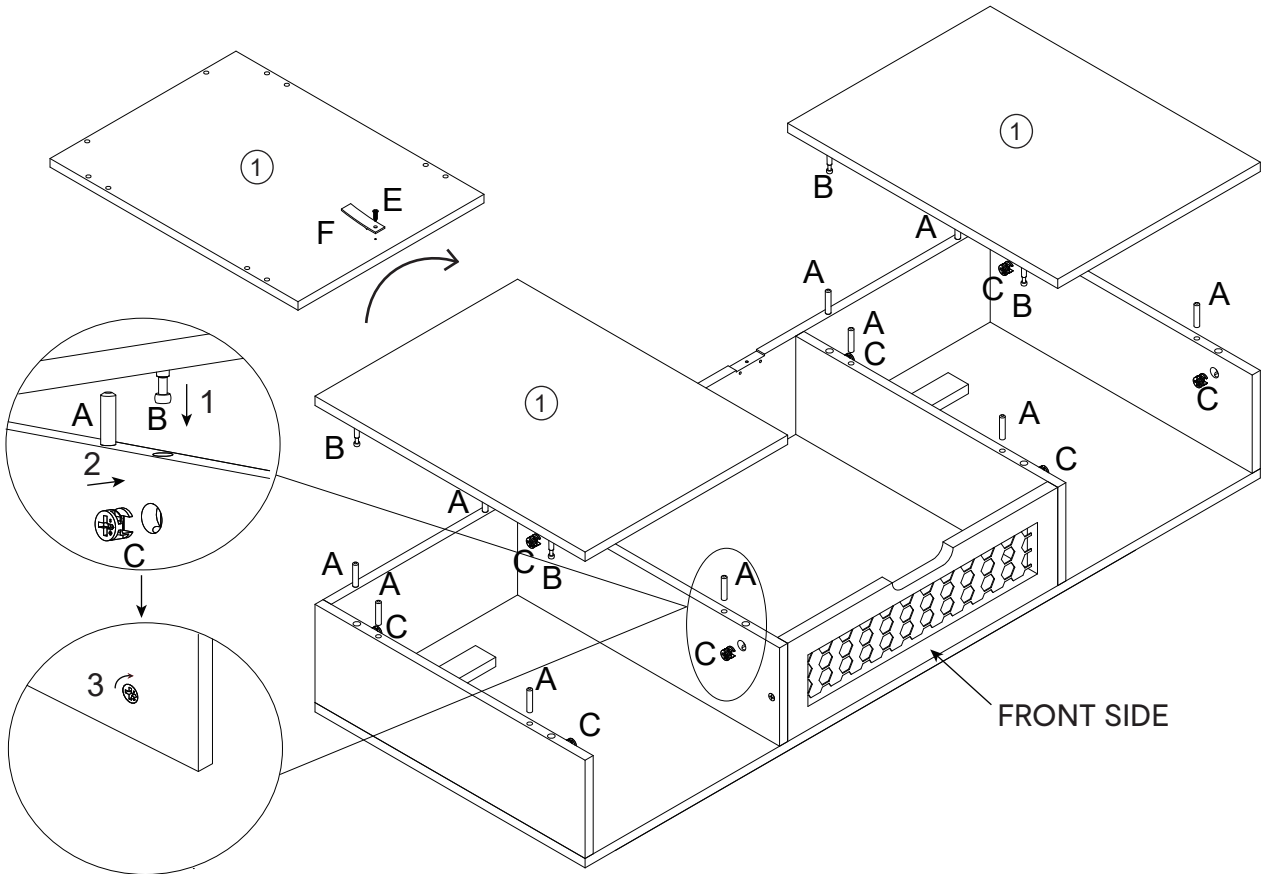
STEP 5

D -  x 11



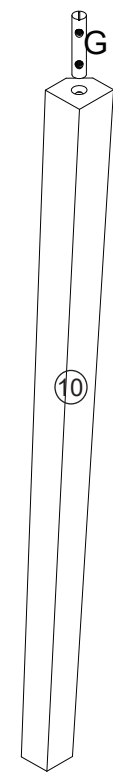
STEP 6

A -  × 12 B -  × 8 C -  × 8 E -  × 2 F -  × 2

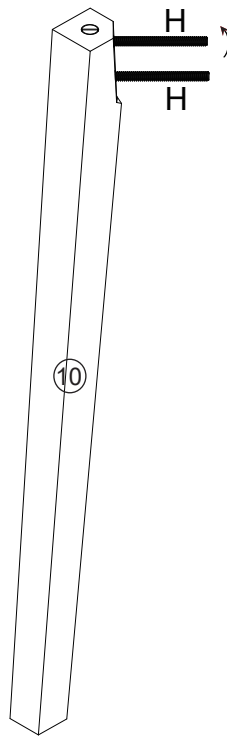


STEP 7

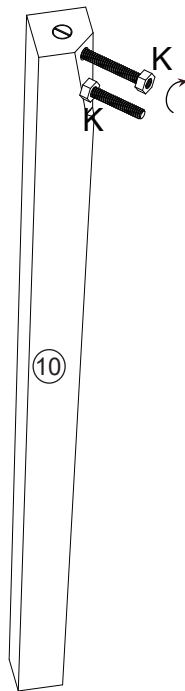
G -  × 4 H -  × 8 K -  × 8



1×4

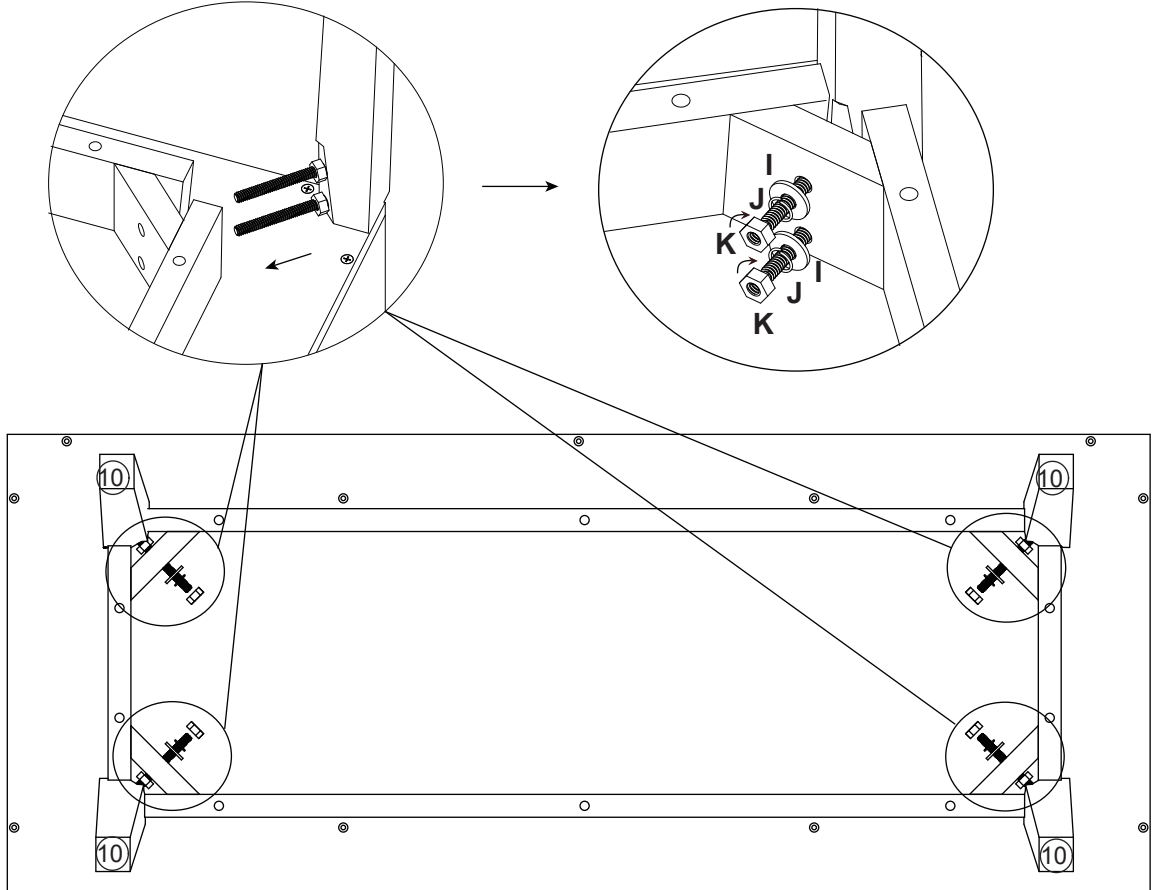


2×4

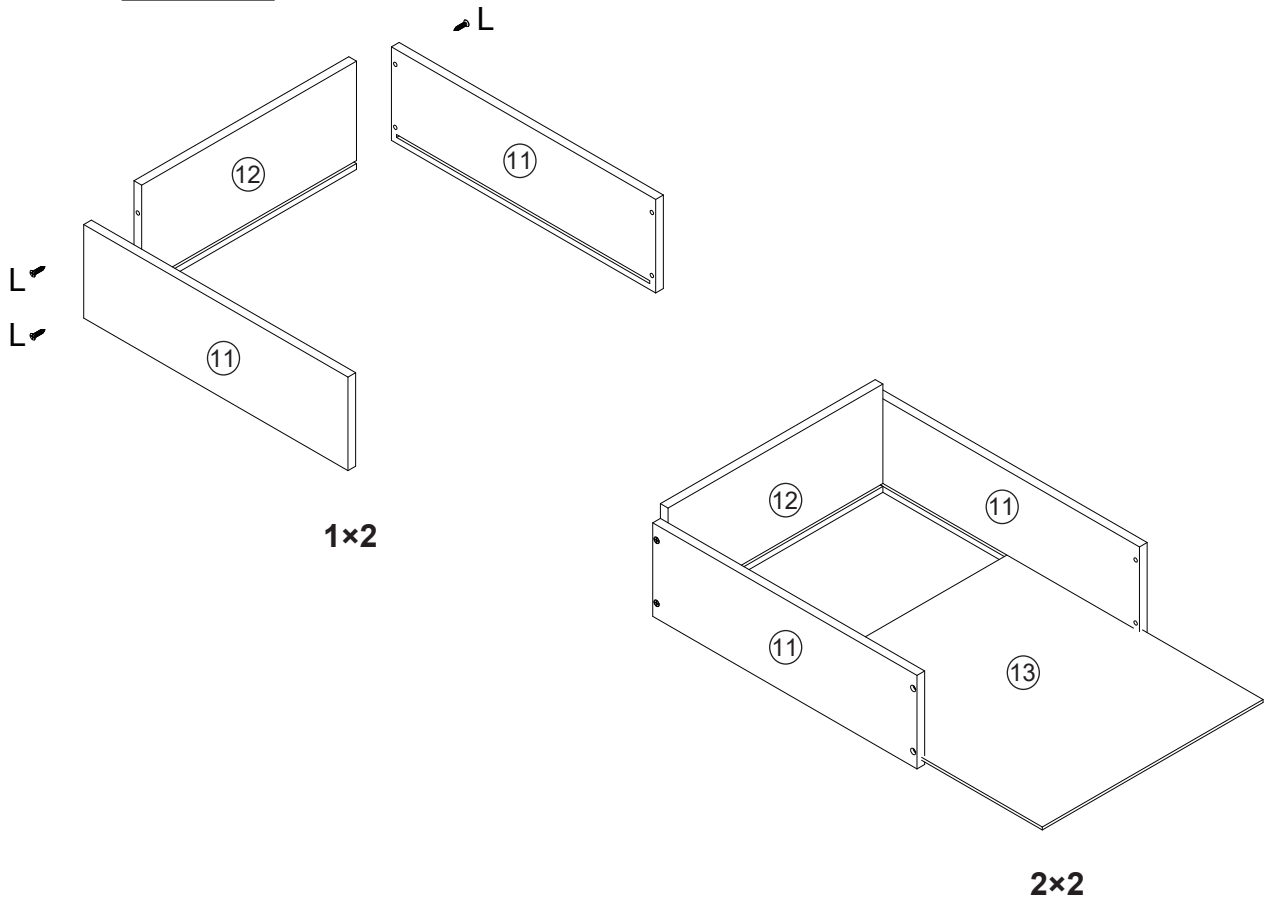


3×4




STEP 8 I -  x 8 J -  x 8 K -  x 8

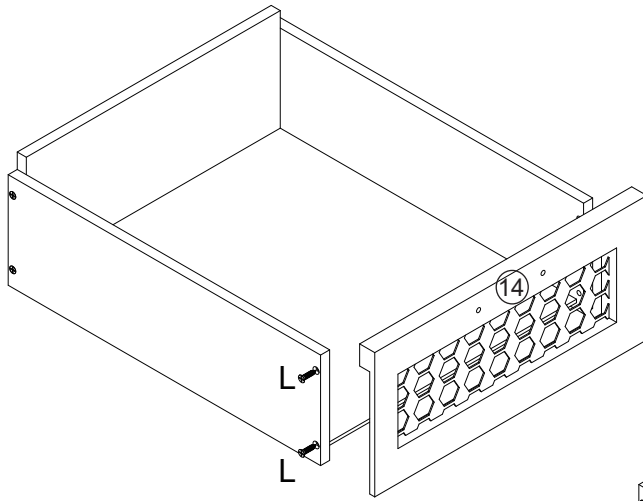


STEP 9 L -  x 8

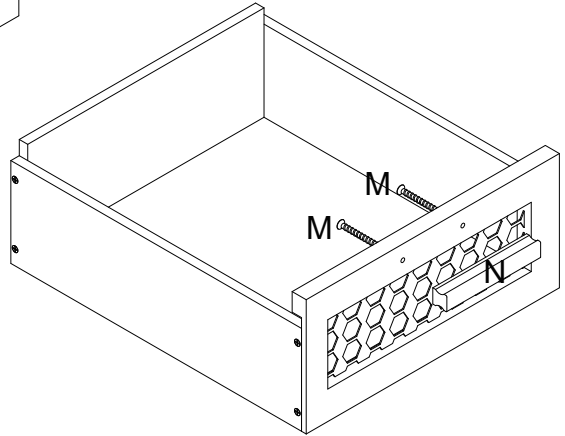


STEP 10

L -  x 8 M -  x 4 N -  x 2



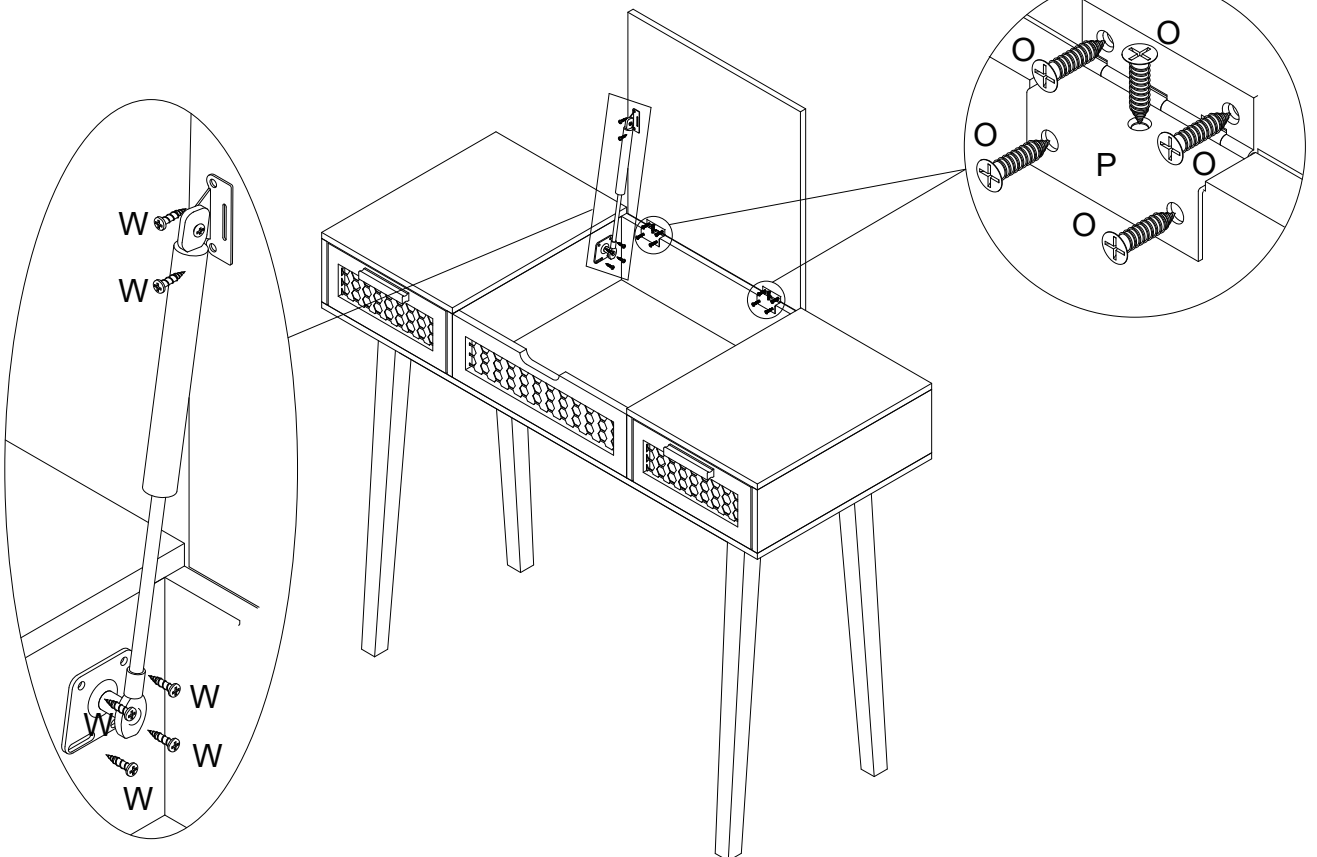
3x2






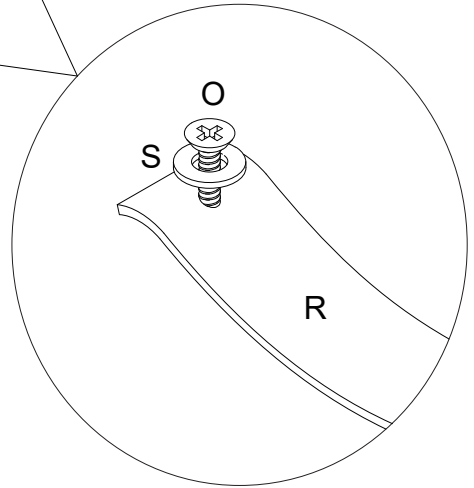
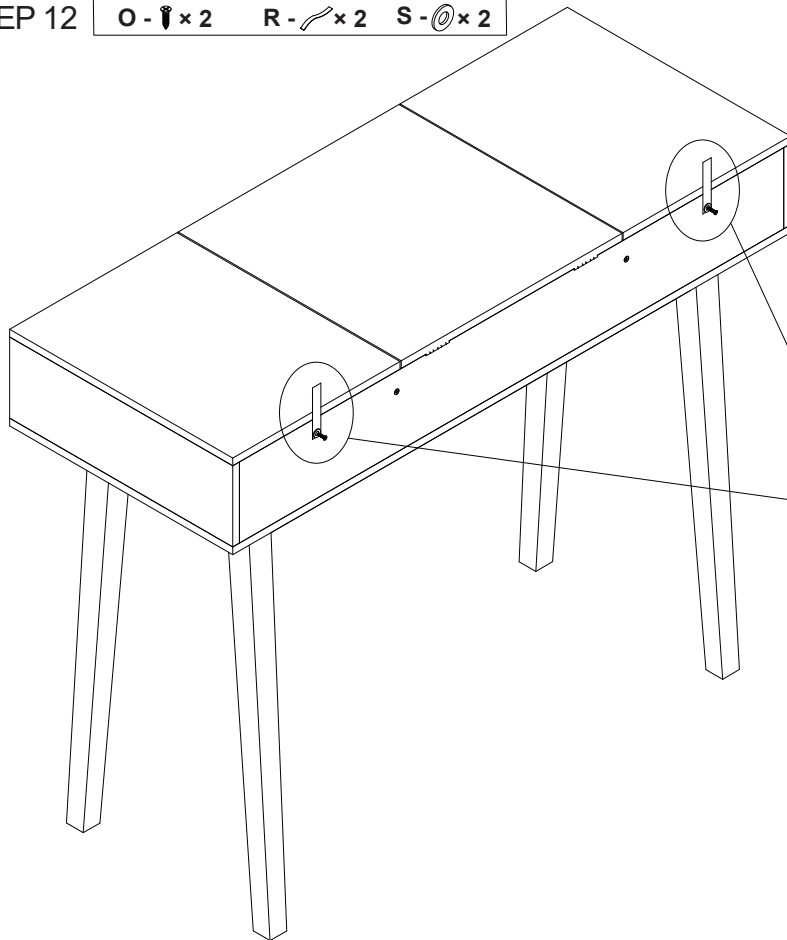
4x2

STEP 11

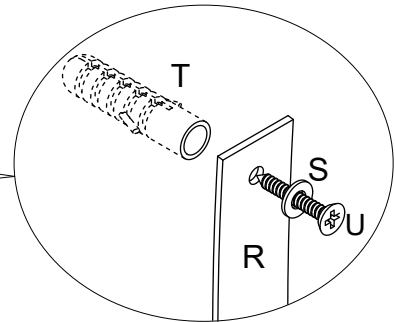
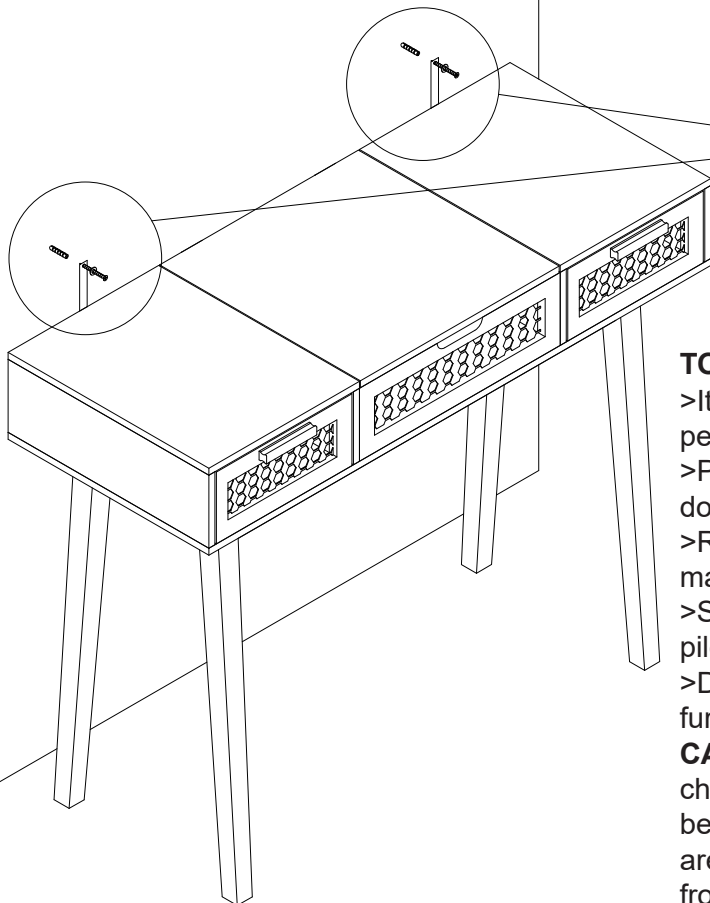
O -  x 10 P -  x 2 Q -  x 1 W -  x 6



STEP 12 O-x2 R-x2 S-x2



STEP 13 S-x2 T-x2 U-x2



TOPPLING FURNITURE WARNING:

- >It is strongly recommended that this product is permanently fixed to the wall.
- >Please seek professional advice if you are in doubt of what fixing device to use.
- >Regularly check that anchors are securely maintained.
- >Stability of tall items may be affected by thick pile carpet or uneven floors.
- >Do not place unanchored televisions on furniture.

CAUTION:When attaching the anchor fixings, check for any electrical wires or plumbing behind the wall before drilling any holes (if you are unsure, please seek professional advice from a qualified tradesperson).