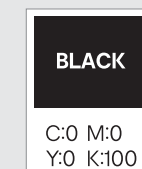


### PAPER:

80gsm  
Bright white uncoated paper

### PRINT COLOURS:



### PRINT FINISH:

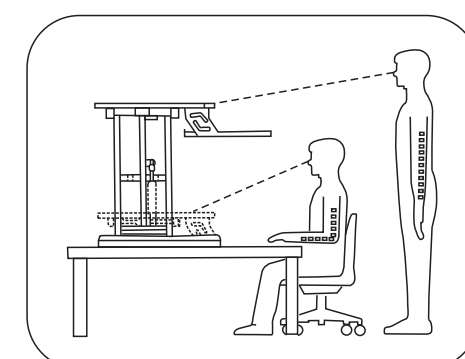
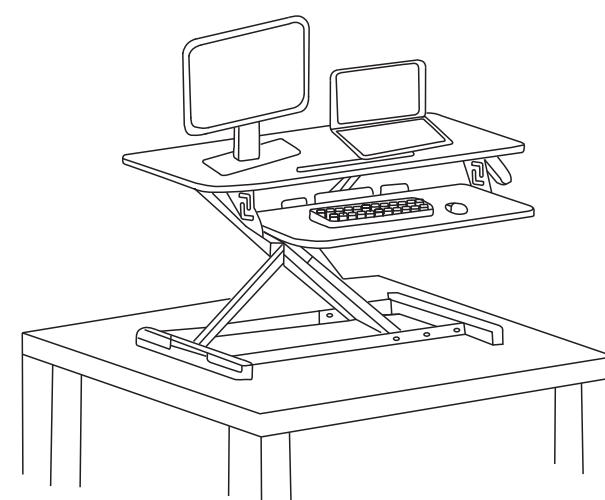
Double sided  
Folded in the centre

anko

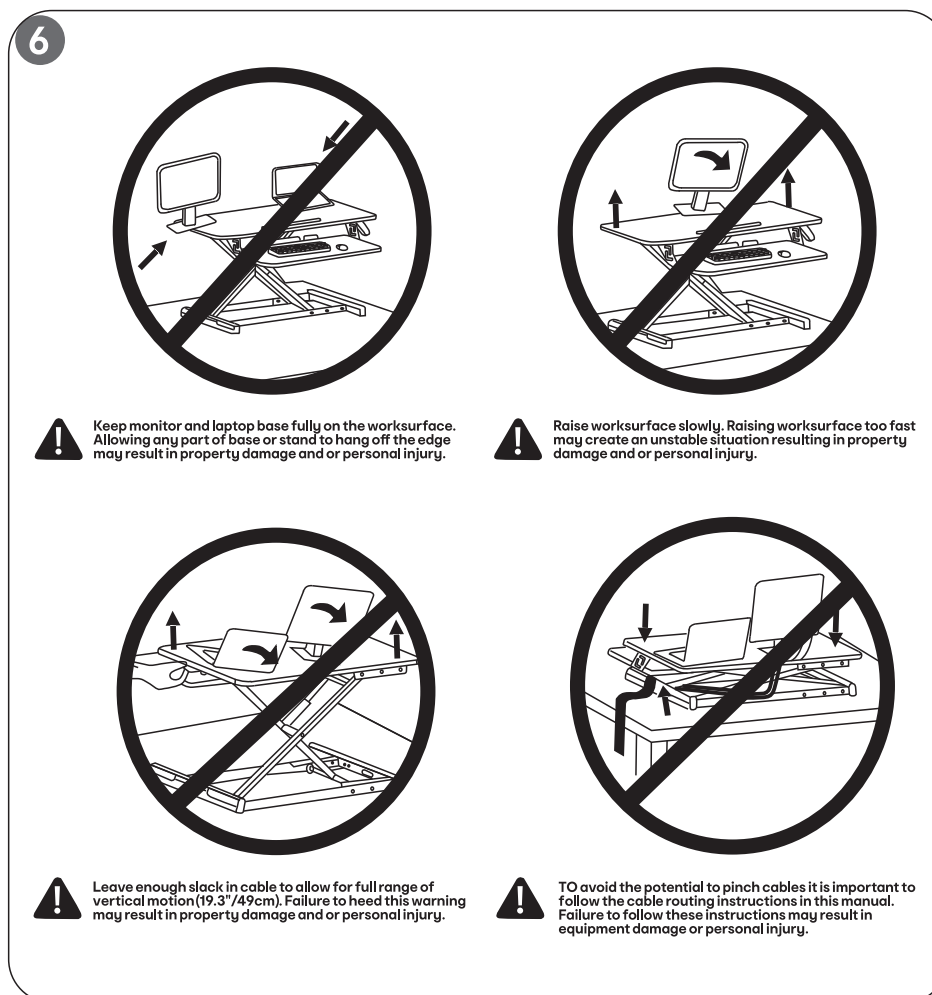
anko

# anko

## Sit and Stand Desktop Mounting Instructions



43108145



**6** Keep monitor and laptop base fully on the worksurface. Allowing any part of base or stand to hang off the edge may result in property damage and/or personal injury.

**6** Raise worksurface slowly. Raising worksurface too fast may create an unstable situation resulting in property damage and/or personal injury.

**6** Leave enough slack in cable to allow for full range of vertical motion (19.3"/49cm). Failure to heed this warning may result in property damage and/or personal injury.

**6** To avoid the potential to pinch cables it is important to follow the cable routing instructions in this manual. Failure to follow these instructions may result in equipment damage or personal injury.

### WARNING PINCH POINT

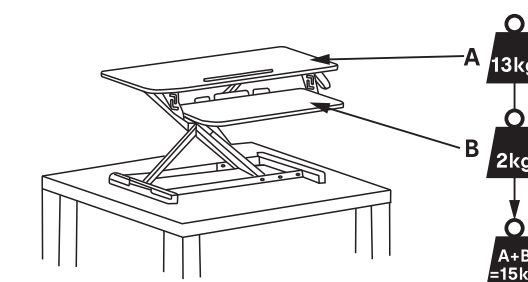
DO NOT place hands on or near support bars. Pinch points are created during lifting and lowering the worksurface. Failure to follow these instructions may result in serious personal injury.



### CARE INSTRUCTION

Wipe clean with a soft damp cloth. Keep away from water and direct sunlight. Check and tighten all parts regularly. For indoor and domestic use.

### Load Capacity

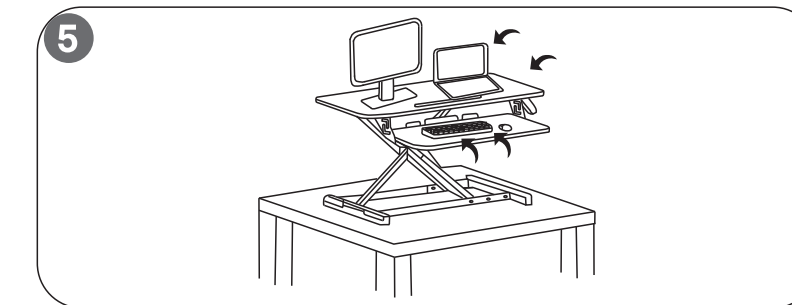
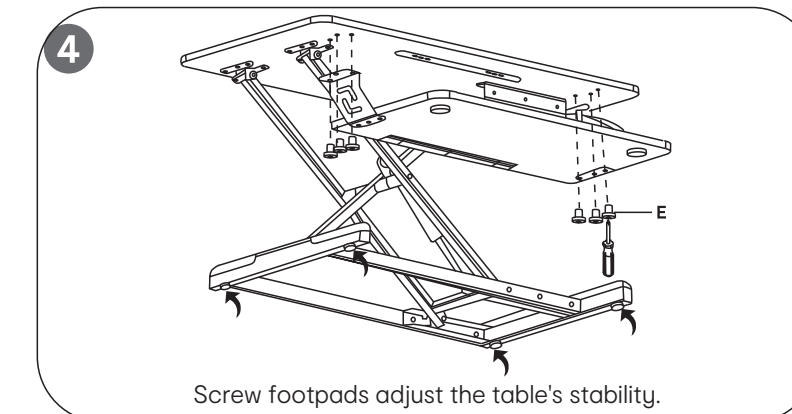
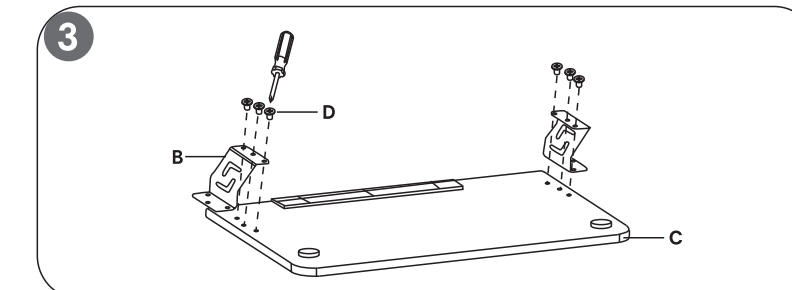
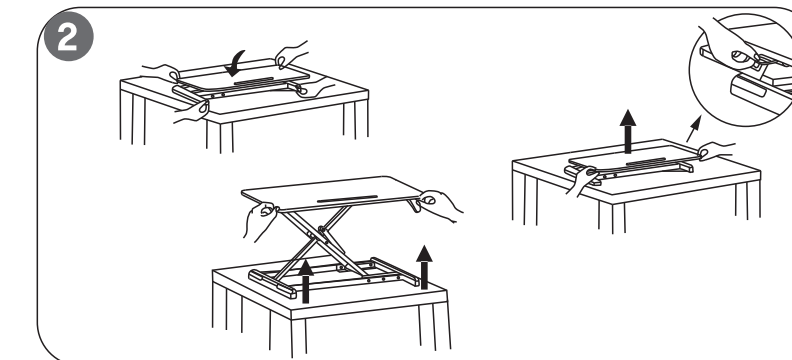
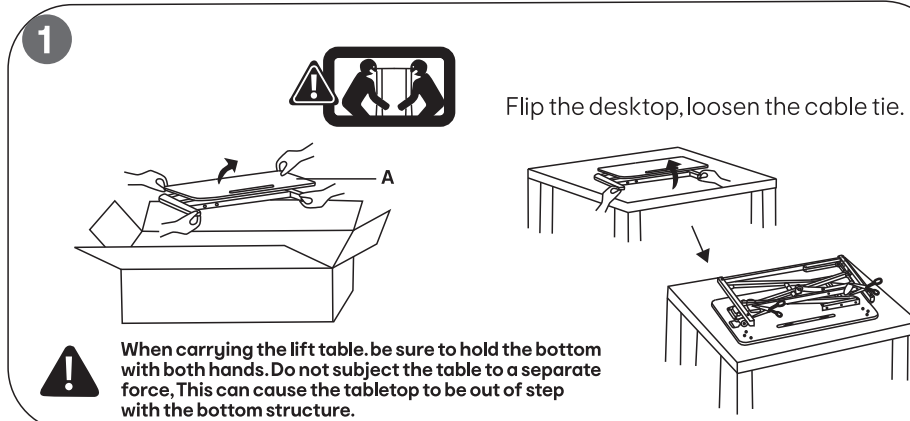


**CAUTION:**  
Do not exceed maximum listed weight capacity. Serious injury or property damage may occur!

### Components

	A	B	C	D	E	F
1						
	x1	x1	x1	M5x12mm x6	M5x12mm x6	Black plastic cable tie x2

### Tools required not included



297mm

210mm