

Assembly Instructions

43108923 SCANDI HALL TABLE

CARE INSTRUCTIONS:

WIPE CLEAN WITH A DAMP OR DRY CLOTH. DO NOT USE ABRASIVE MATERIALS AND SOLVENTS. KEEP AWAY FROM WATER AND DIRECT SUNLIGHT. STORE IN A DRY PLACE. FOR INDOOR AND DOMESTIC USE ONLY.

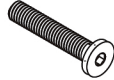
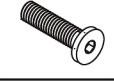


WARNING:

DO NOT SIT OR STAND ON THIS TABLE. DO NOT DRAG OR KNOCK THE TABLE. DO NOT USE THIS TABLE UNLESS ALL BOLTS AND SCREWS ARE FIRMLY SECURED. THIS PACKAGE CONTAINS SMALL PARTS AND SHARP POINTS. KEEP AWAY FROM CHILDREN AND BABIES. ADULT ASSEMBLY REQUIRED. USE ONLY ON A FLAT SURFACE. FAILURE TO FOLLOW THESE WARNINGS COULD IN SERIOUS INJURY. A MILD ODOUR MAY BE PRESENT WHEN FIRST OPENING THIS CARTON. SIMPLY ALLOW TO AIR OUTSIDE AND THIS WILL FADE.

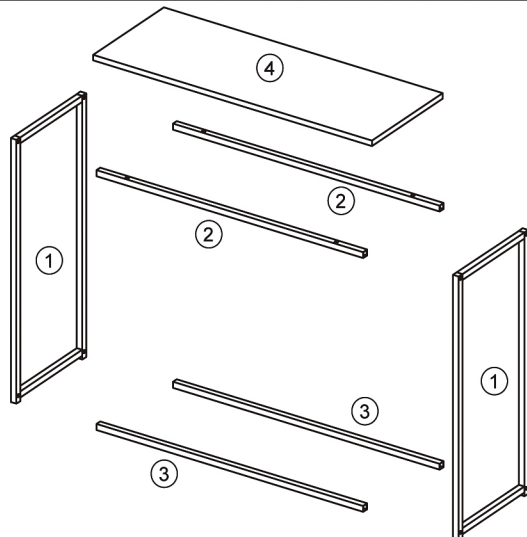
MAXIMUM SAFE LOAD: 25KG.

①

Hardware list

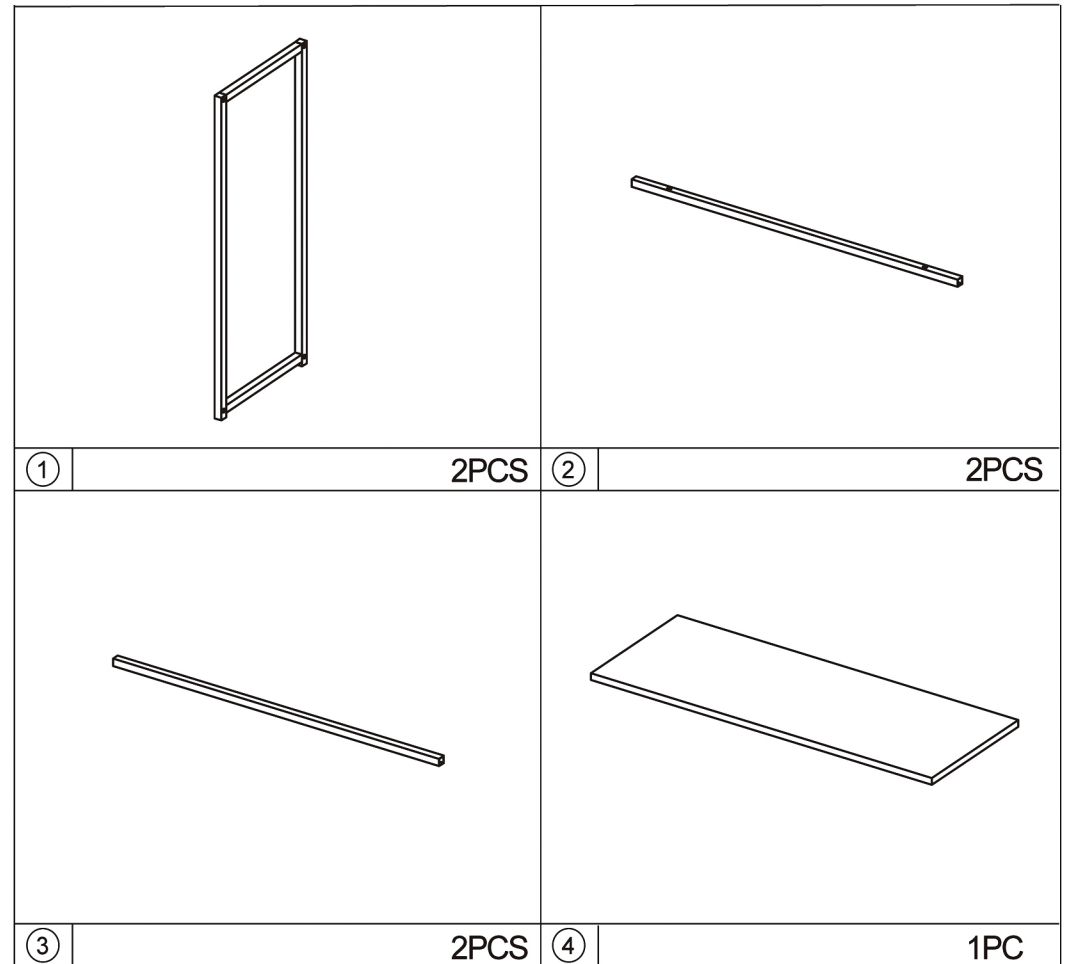
	A	M6X35mm	8PCS
	B	M6X25mm	4PCS
	C		8PC
	D		1PC

②



Do not tighten the screws fully during assembly.
Fully tighten screws after the final assembly steps

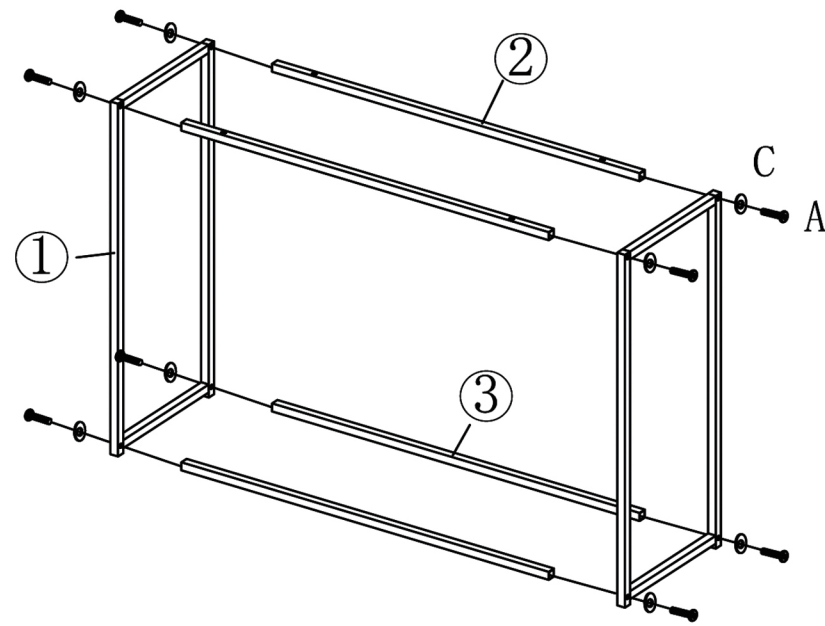
③



STEP 1

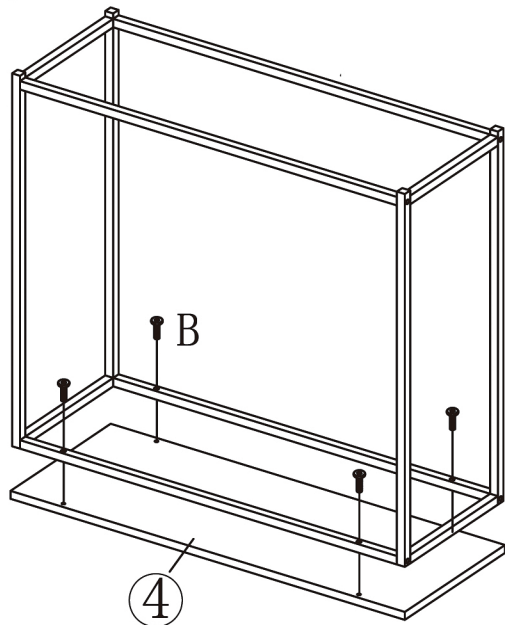
A x 8

C x 8



STEP 2

B x 4



STEP 3

