

Assembly Instructions

43111312 SCANDI DESK WITH STORAGE

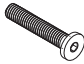
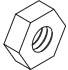
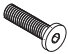



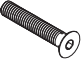
CARE INSTRUCTIONS: TO BE ASSEMBLED ON A CLEAN, DRY AND SMOOTH SURFACE. WIPE CLEAN WITH A SOFT DAMP CLOTH. NEVER USE SCOURERS, ABRASIVES OR CHEMICAL SOLVENTS. CHECK AND TIGHTEN ALL PARTS REGULARLY. KEEP AWAY FROM MOISTURE AND DIRECT SUNLIGHT. STORE IN A DRY PLACE. FOR INDOOR USE ONLY.

WARNING: DO NOT STAND, SIT OR LEAN ON THIS UNIT. DO NOT USE THIS TABLE AS A STEP LADDER OR AS A CHOPPING SURFACE. ENSURE THIS TABLE IS USED ONLY ON A FLAT SURFACE. DO NOT USE THIS TABLE UNLESS ALL BOLTS AND SCREWS ARE FIRMLY SECURED. KEEP AWAY FROM CHILDREN AND BABIES. THIS PACKAGE CONTAINS SMALL PARTS AND SHARP POINTS. ADULT ASSEMBLY REQUIRED. A MILD ODOUR MAY BE PRESENT WHEN FIRST OPENING THIS CARTON. SIMPLY ALLOW TO AIR OUTSIDE AND THIS WILL FADE.

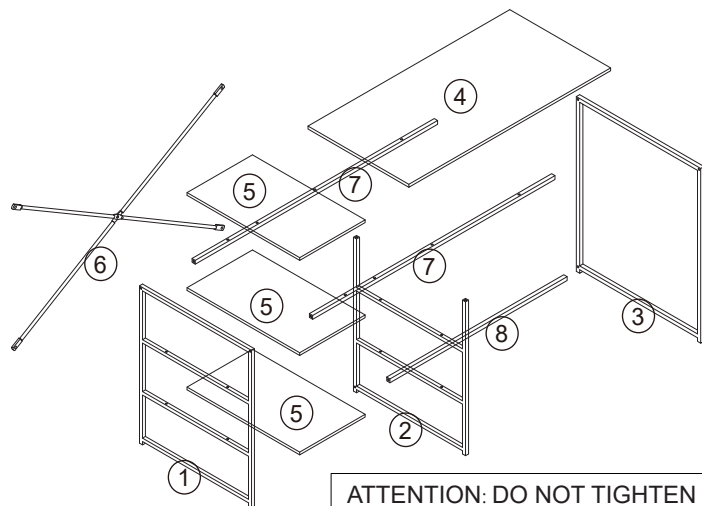
MAXIMUM SAFE LOAD: 30KG FOR TOP, 5KG FOR EACH LAYER.

①

Hardware List

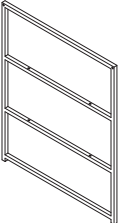
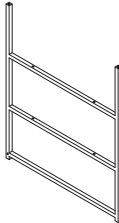
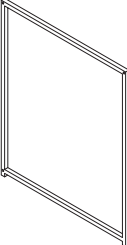
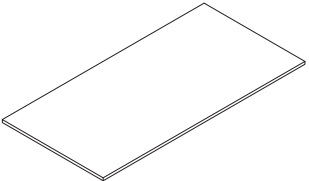
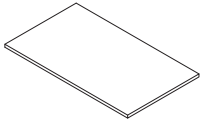
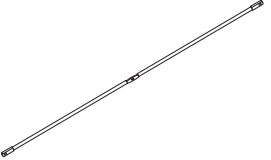
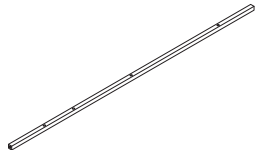
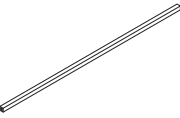
	A	M6X35mm	6PCS		E	1PC
	B	M6X25mm	14PCS		F	1PC
	C	M6X12mm	5PCS		G	1PC
	D	M6X35mm	2PCS			

②

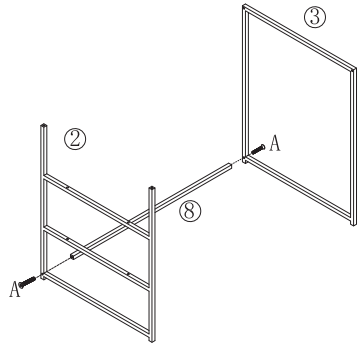


ATTENTION: DO NOT TIGHTEN THE SCREWS FULLY DURING ASSEMBLY. FULLY TIGHTEN SCREWS AFTER THE FINAL ASSEMBLY STEPS.

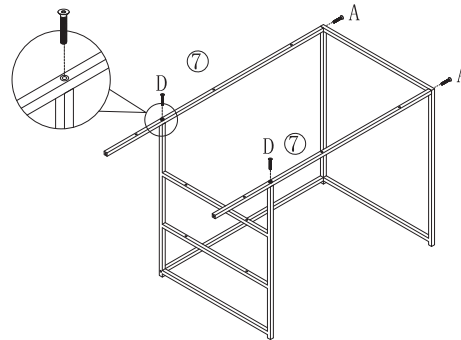
③

		
① 1PC	② 1PC	③ 1PC
		
④ 1PC	⑤ 2PCS	⑥ 2PCS
		
⑦ 2PCS	⑧ 1PC	

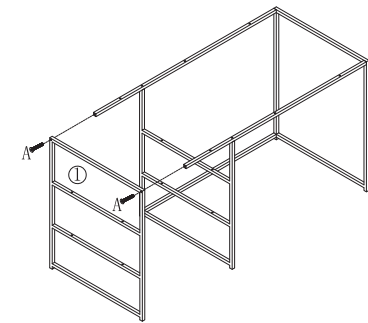
STEP 1 AX2



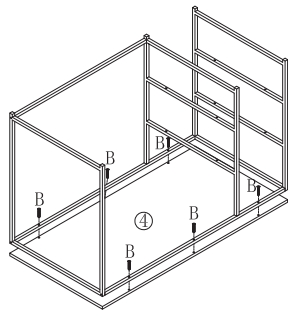
STEP 2 AX2 DX2



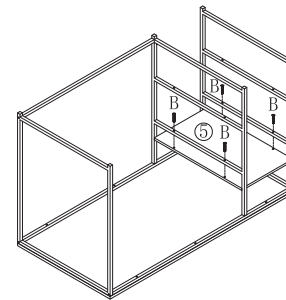
STEP 3 AX2



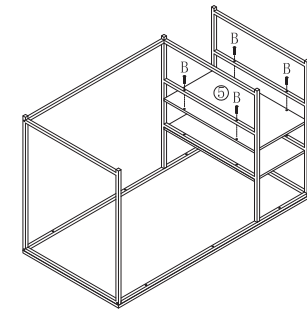
STEP 4 BX6



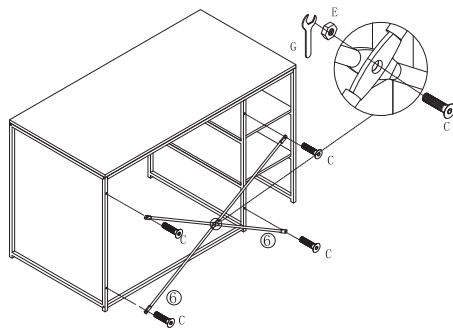
STEP 5 BX4



STEP 6 BX4



STEP 7 CX5



STEP 8

