

Assembly Instructions

43111329 BLAKE DESK


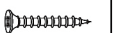








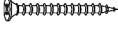
CARE INSTRUCTIONS: TO BE ASSEMBLED ON A CLEAN, DRY AND SMOOTH SURFACE. WIPE CLEAN WITH A SOFT DAMP CLOTH. NEVER USE SCOURERS, ABRASIVES OR CHEMICAL SOLVENTS. CHECK AND TIGHTEN ALL PARTS REGULARLY. KEEP AWAY FROM MOISTURE AND DIRECT SUNLIGHT. STORE IN A DRY PLACE. FOR INDOOR USE ONLY.

WARNING: DO NOT STAND, SIT OR LEAN ON THIS UNIT. DO NOT USE THIS TABLE AS A STEP LADDER OR AS A CHOPPING SURFACE. ENSURE THIS TABLE IS USED ONLY ON A FLAT SURFACE. DO NOT USE THIS TABLE UNLESS ALL BOLTS AND SCREWS ARE FIRMLY SECURED. KEEP AWAY FROM CHILDREN AND BABIES. THIS PACKAGE CONTAINS SMALL PARTS AND SHARP POINTS. ADULT ASSEMBLY REQUIRED. A MILD ODOUR MAY BE PRESENT WHEN FIRST OPENING THIS CARTON. SIMPLY ALLOW TO AIR OUTSIDE AND THIS WILL FADE.

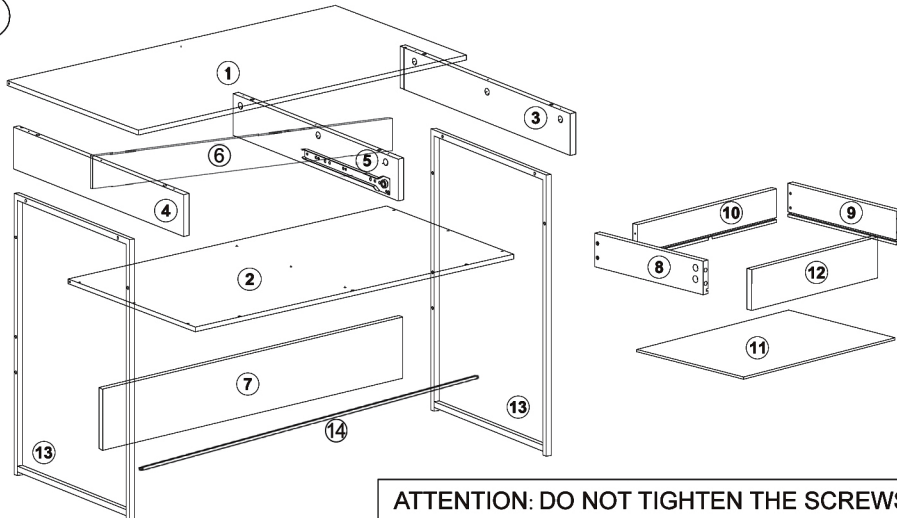
MAXIMUM SAFE LOAD: 30KG FOR TOP, 5KG FOR EACH DRAWER.

①

Hardware List




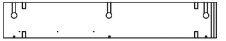
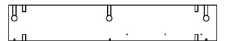









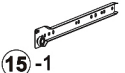
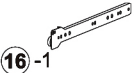

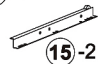
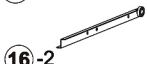
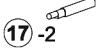
	A	M6X35mm	13PCS		G	M4X30mm	3PCS
	B	Ø15X12mm	9PCS		H	Ø7X38mm	10PCS
	C	Ø15X10mm	4PCS		I	M6X35mm	2PCS
	D		12PCS		J	Ø20	2PCS
	E	M3X12mm	10PCS		K		1PC
	F	M4X35mm	13PCS				

②

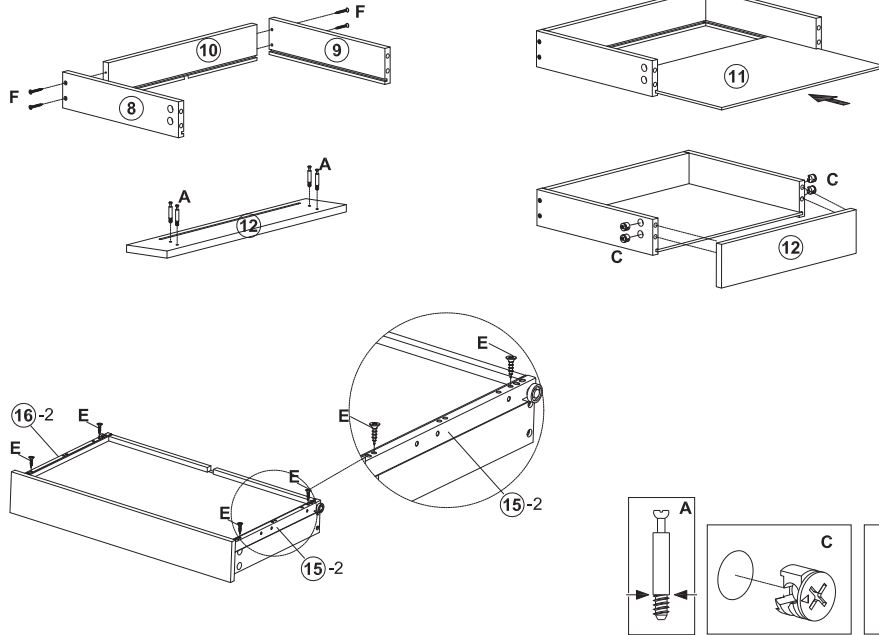


ATTENTION: DO NOT TIGHTEN THE SCREWS FULLY DURING ASSEMBLY. FULLY TIGHTEN SCREWS AFTER THE FINAL ASSEMBLY STEPS.

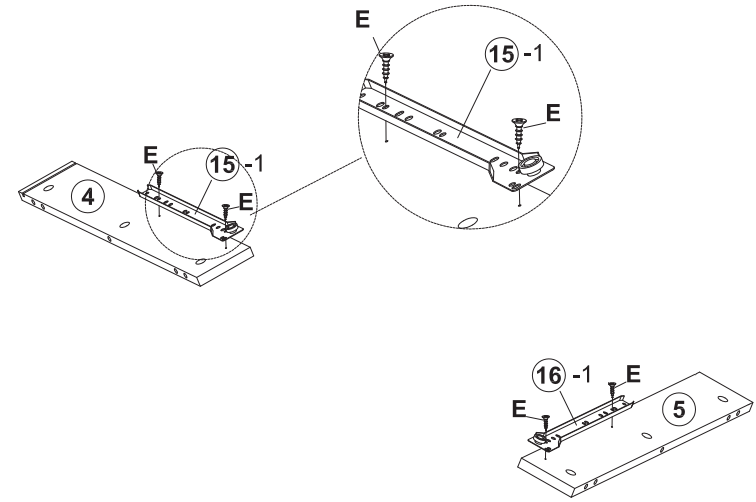
③

				
① 1 PC	② 1 PC	③ 1 PC	④ 1 PC	
				
⑤ 1 PC	⑥ 1 PC	⑦ 1 PC	⑧ 1 PC	
				
⑨ 1 PC	⑩ 1 PC	⑪ 1 PC	⑫ 1 PC	
				
⑬ 2 PCS	⑭ 1 PC	⑮ 1 PC	⑯ 1 PC	⑰ 1 PC
				
		⑮ 1 PC	⑯ 1 PC	⑰ 1 PC

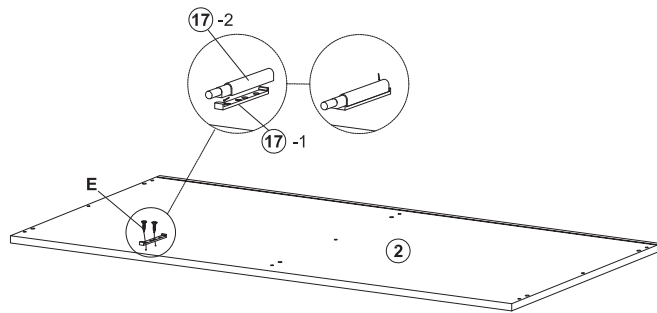
STEP 1 AX4 CX4 EX4 FX4



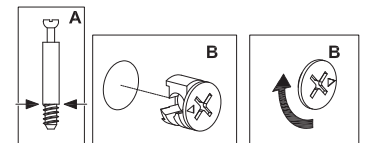
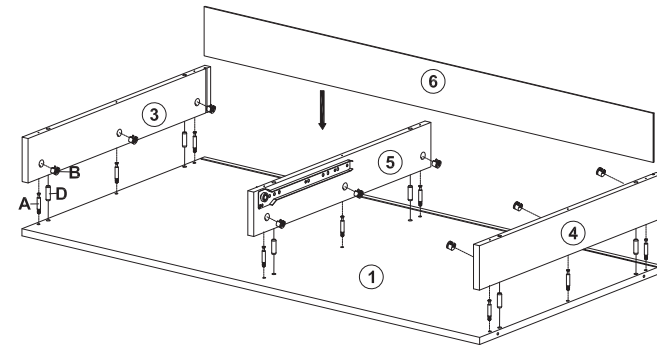
STEP 2 EX4



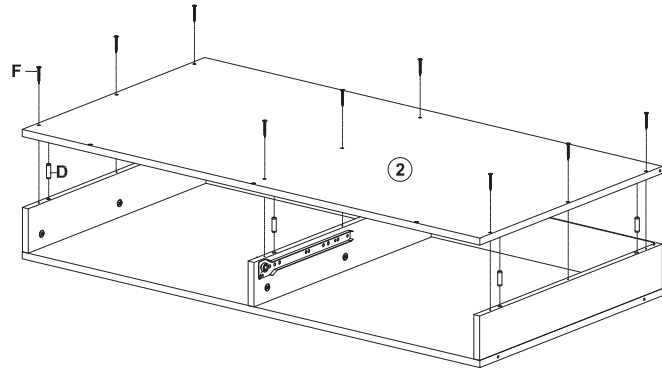
STEP 3 EX2



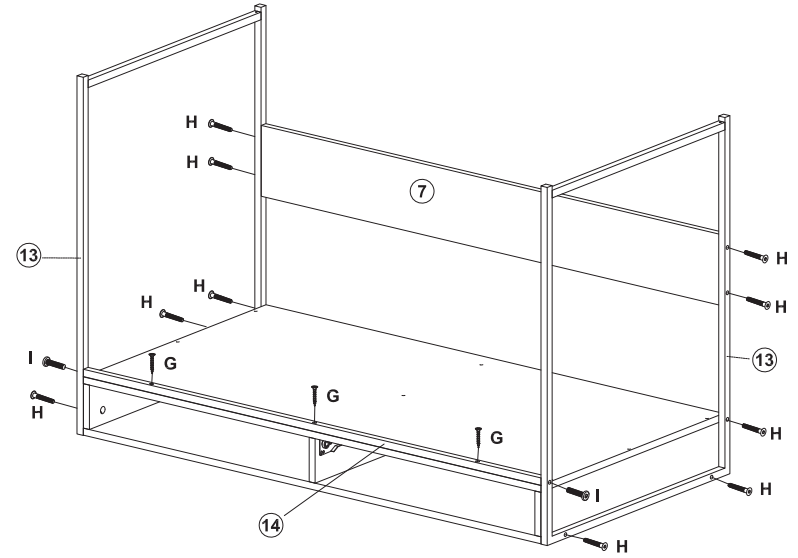
STEP 4 AX9 BX9 DX6



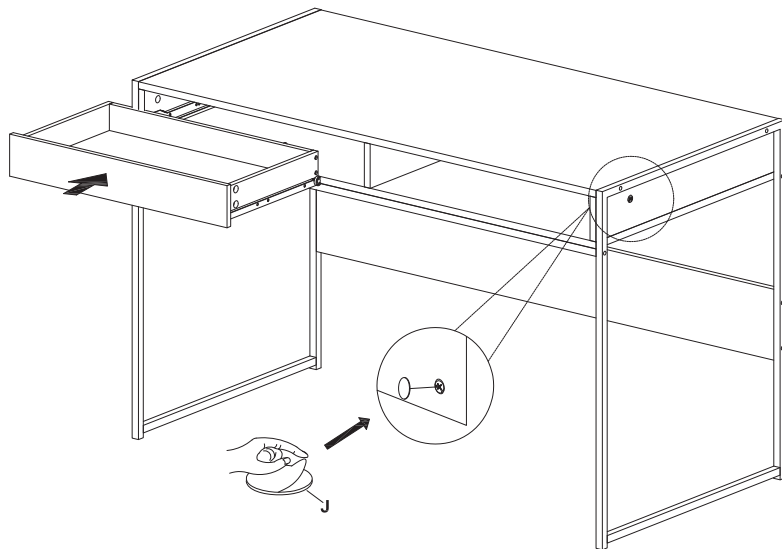
STEP 5  DX6  FX9



STEP 6  GX3  HX10  IX2



STEP 7



STEP 8

