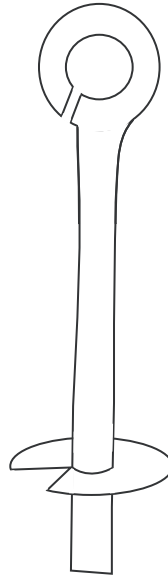


# Trampoline Pegs Instruction Manual

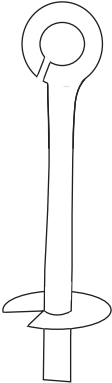

> includes webbing strap and pegs



Adult assembly required

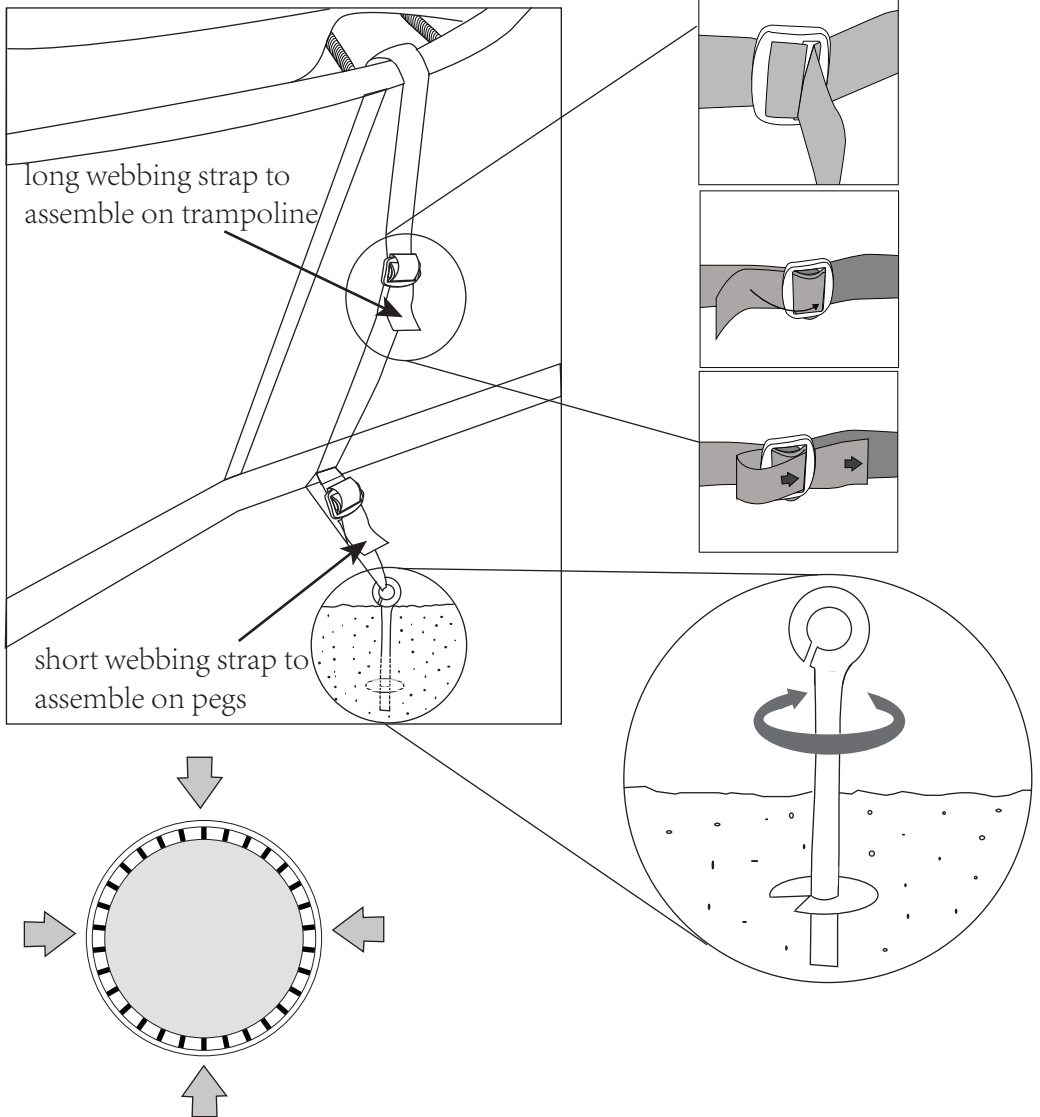
Drawings in the manual are for visual purposes only. Actual product may vary slightly. The manufacturer reserves the right to change any specification or feature without prior notice.

**IMPORTANT! PLEASE READ CAREFULLY BEFORE USE  
AND KEEP FOR FUTURE REFERENCE.**

NO.	PART	DESCRIPTION	QTY
A		Pegs	4
B		Webbing straps	4

# Assembly Steps :

1. Assemble the webbing straps on the trampoline frame as the figure below shows. The length of the straps are adjustable and can be adjusted according to the frame height.
2. Anchor the pegs into ground as below figure shows, make sure there are no underground utilities (electrical, gas, phone, water) before installing the pegs.
3. Repeat above steps for each peg.



KEYCODE: 43-113-361

**MADE IN CHINA**

FOR AU / NZ: IMPORTED FOR KMART  
STORES IN AUSTRALIA AND NEW ZEALAN

**KMART CUSTOMER SERVICE**

**AU: 1800 124 125 NZ: 0800 945 995**