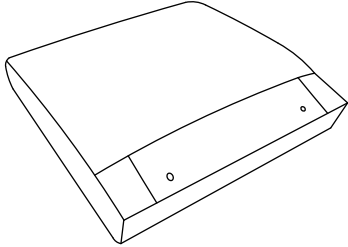
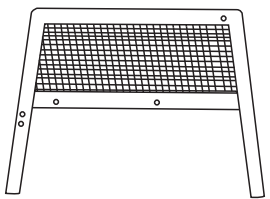
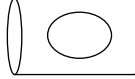
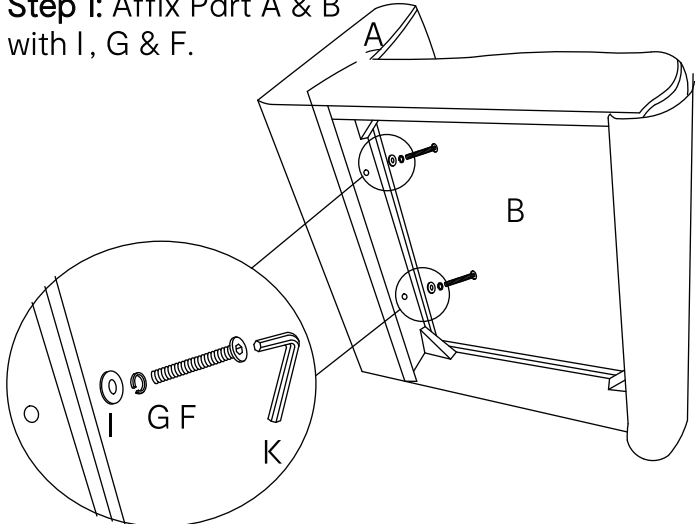
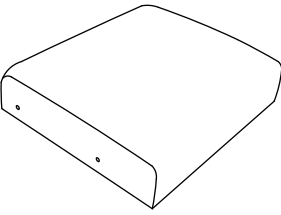
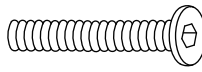
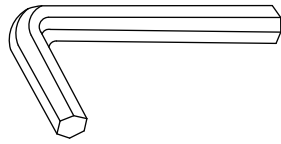
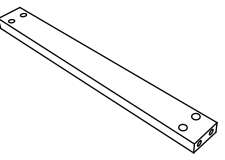

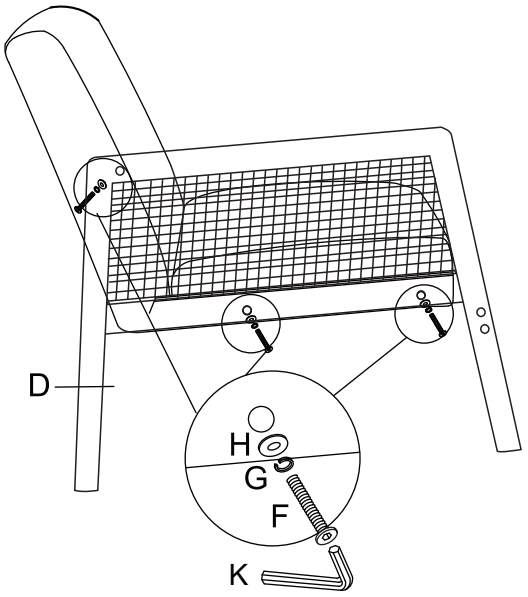
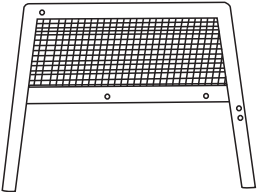

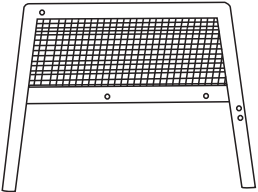



# Assembly Instructions

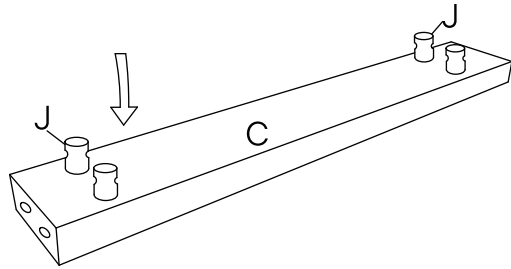
## 43114634 RATTAN LOUNGE CHAIR

**CARE INSTRUCTIONS:** WIPE CLEAN WITH A DAMP CLOTH. DO NOT USE ABRASIVE MATERIALS AND SOLVENTS. CHECK AND TIGHTEN ALL PARTS REGULARLY. KEEP AWAY FROM WATER AND DIRECT SUNLIGHT. STORE IN A DRY PLACE. FOR INDOOR AND DOMESTIC USE ONLY.

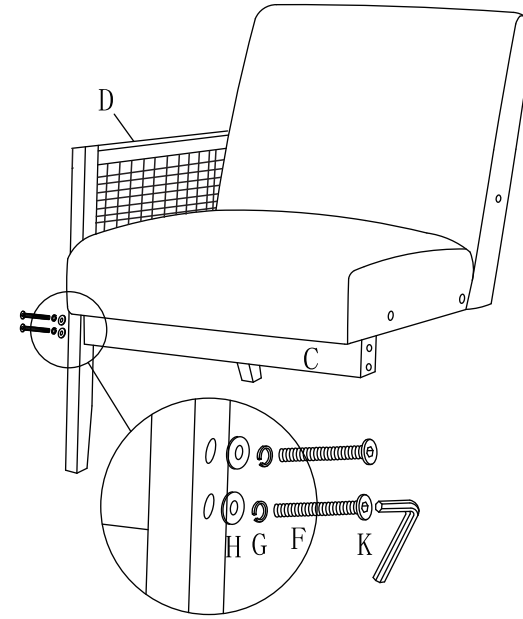
**WARNING:** DO NOT STAND ON THIS CHAIR. DO NOT USE THIS CHAIR AS A STEP LADDER. SUITABLE FOR ONE PERSON USE ONLY. DO NOT USE UNTIL ALL SCREWS ARE FIRMLY SECURED. USE ONLY ON A FLAT SURFACE. FAILURE TO FOLLOW THESE WARNINGS COULD RESULT IN SERIOUS INJURY. **MAXIMUM SAFE LOAD: 100KG.**

<p>Ax1</p> 	<p>Ex1</p> 	<p>Jx4</p> 	<p><b>Step 1:</b> Affix Part A &amp; B with I, G &amp; F.</p> 
<p>Bx1</p> 	<p>Fx12</p>  <p>M8 x 50mm</p>	<p>Kx1</p> 	
<p>Cx1</p> 	<p>Gx12</p> 	<p><b>ATTENTION:</b> DO NOT TIGHTEN THE SCREWS FULLY DURING ASSEMBLY. FULLY TIGHTEN SCREWS AFTER THE FINAL ASSEMBLY STEP.</p>	<p><b>Step 2:</b> Affix Part D as per diagram with G,H&amp;F.</p> 
<p>Dx1</p> 	<p>Hx10</p>  <p>M8 x 14mm</p>		
<p>Lx2</p> 	<p>Ix2</p>  <p>M8 x 22mm</p>		

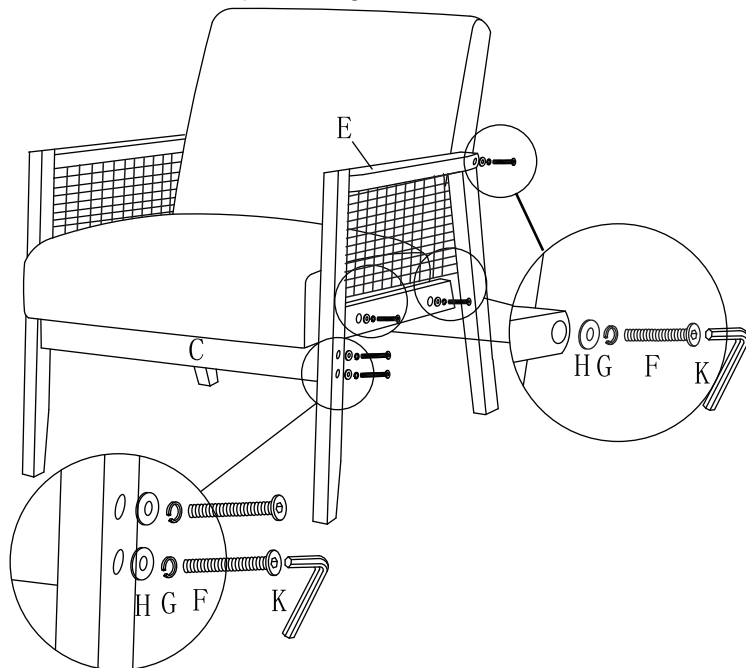
**Step 3:** Put Part J into part C (as per below diagram).



**Step 4:** Affix Part C into Part D as per diagram.



**Step 5:** Affix Part E as per diagram with H,G & F.



**Step 6:** Tighten all screws then assembly is complete.

