












Assembly Instructions




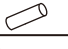





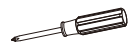
43116119 Panelled Storage Unit with Drawer

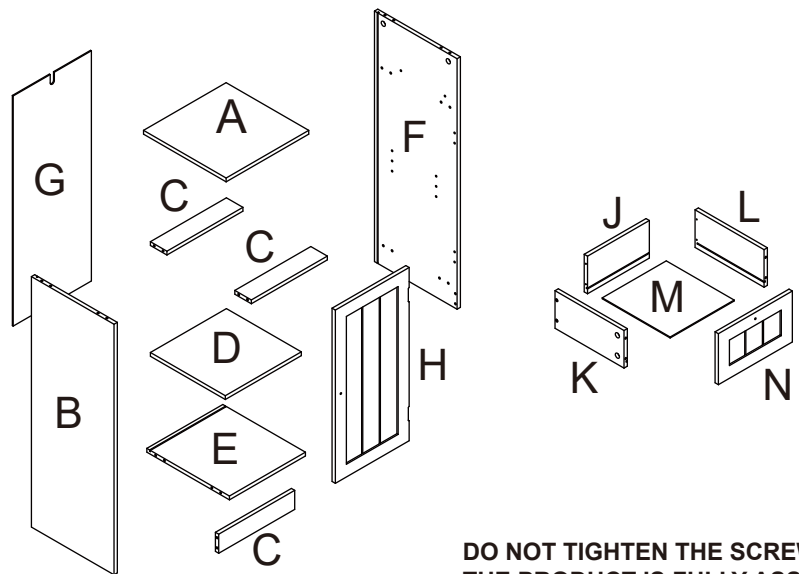
WARNING: DO NOT USE THIS UNIT UNLESS ALL BOLTS AND SCREWS ARE FIRMLY SECURED. DO NOT KNOCK OR DRAG THIS UNIT. USE ONLY ON A FLAT SURFACE. FAILURE TO FOLLOW THESE WARNINGS COULD RESULT IN SERIOUS INJURY. THIS PACKAGE CONTAINS SMALL PARTS AND SHARP POINTS, KEEP AWAY FROM CHILDREN AND BABIES.

MAXIMUM TOTAL LOADING WEIGHT: 5KG FOR EACH SHELF AND THE TOP PANEL, 3KG FOR THE DRAWER, 18KG IN TOTAL.

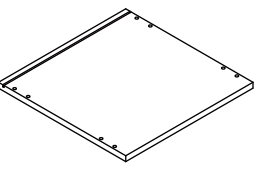
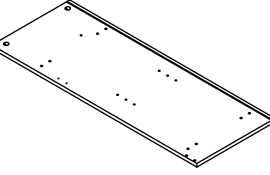
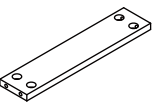
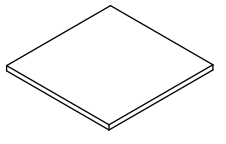
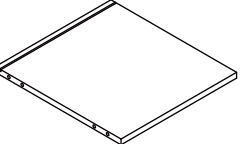
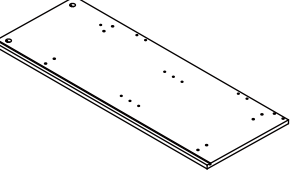
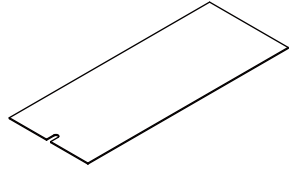
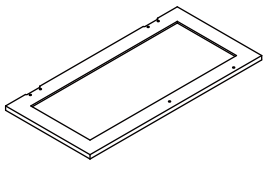
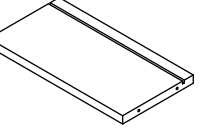
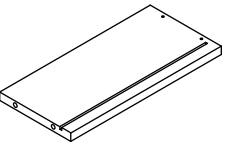
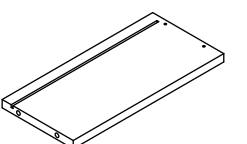
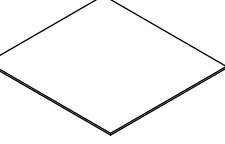
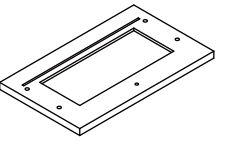
Hardware list

	a		24PCS
	b		24PCS
	c	6X30mm	8PCS
	d	4X30mm	5PCS
	e		1PC
	f	3X14mm	8PCS
	g		1PC
	h		6PCS
	i		1PC
	j	4X10mm	1PC
	k		1PC

	m		2PCS
	n	4X14mm	2PCS
	o		2PCS
	p		4PCS
	q		1PC
	r		1PC
	s		1PC
	t		1PC
	u	3X12mm	17PCS
	Tool required Philips Head Screw Driver (Not Provided)		

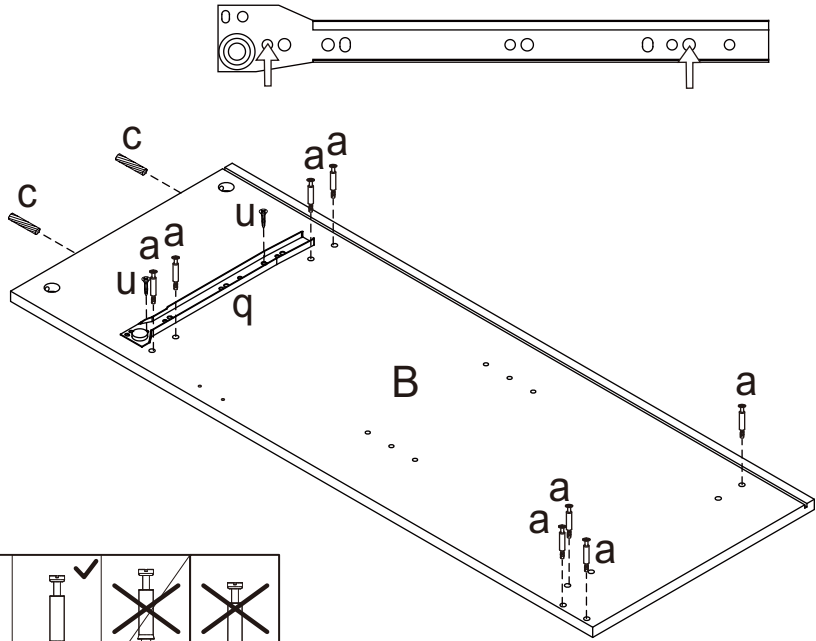


DO NOT TIGHTEN THE SCREWS UNTIL THE PRODUCT IS FULLY ASSEMBLED.

	A	1 PC		B	1 PC		C	3 PCS
	D	1 PC		E	1 PC		F	1 PC
	G	1 PC		H	1 PC		J	1 PC
	K	1 PC		L	1 PC		M	1 PC
	N	1 PC						

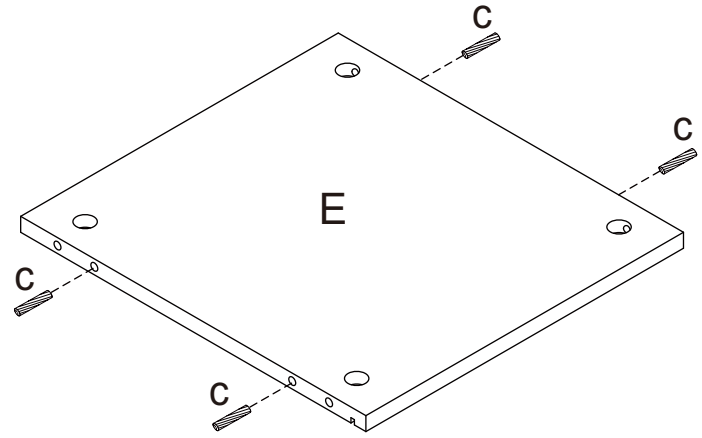
STEP 1

-  X8
-  X2
-  X2
-  X1



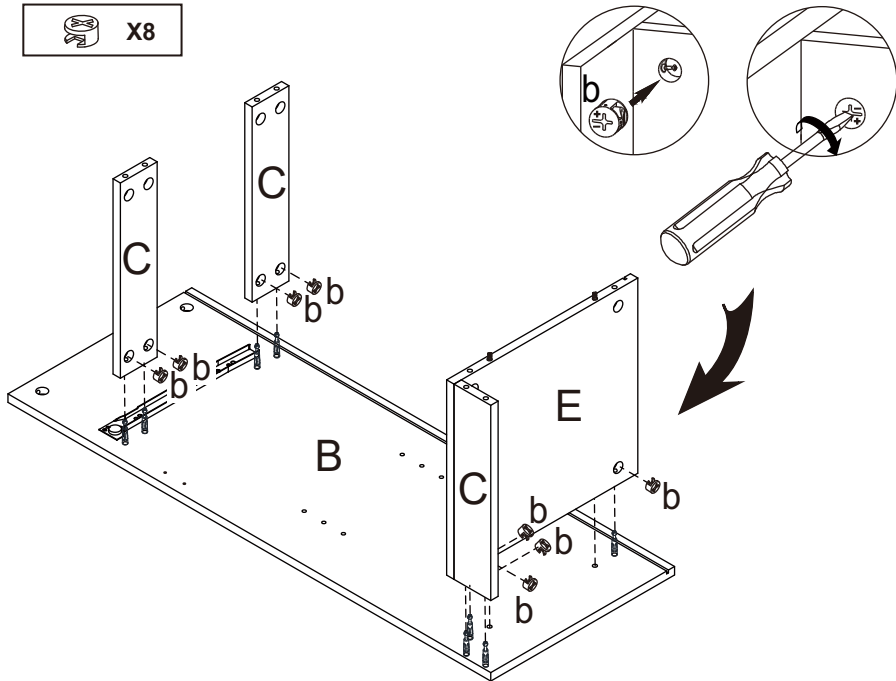
STEP 2

-  X4





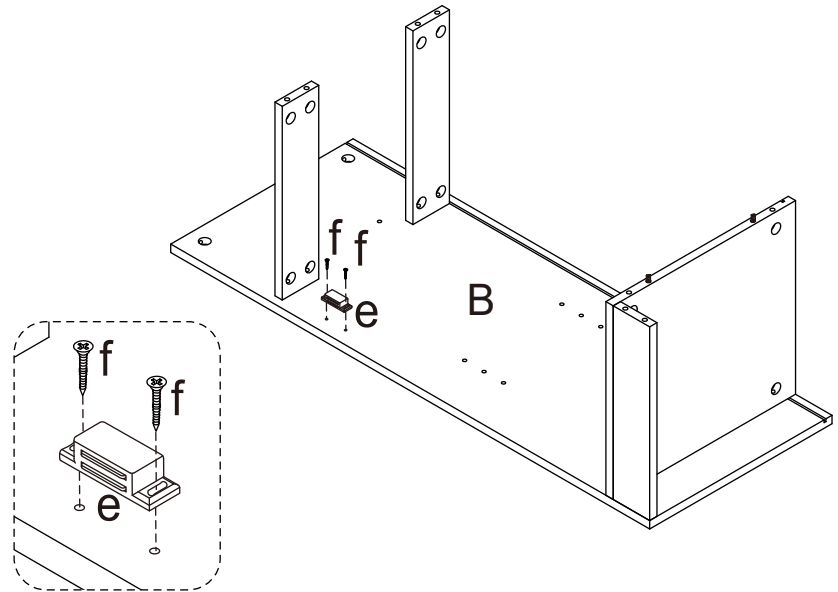
STEP 3

-  X8



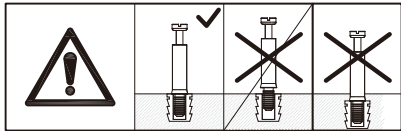
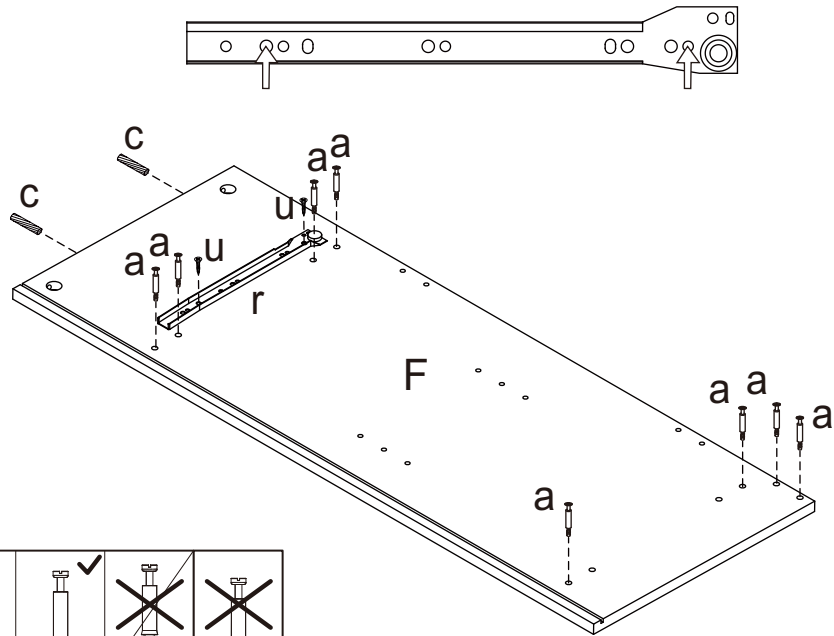
STEP 4

-  X1
-  X2



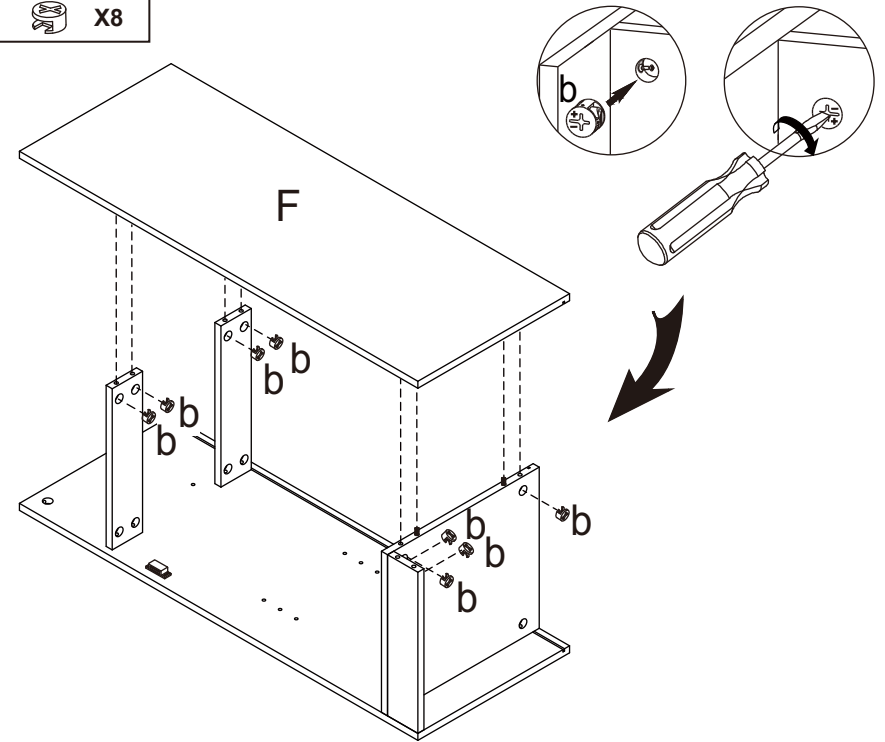
STEP 5

X8 X2 X2 X1

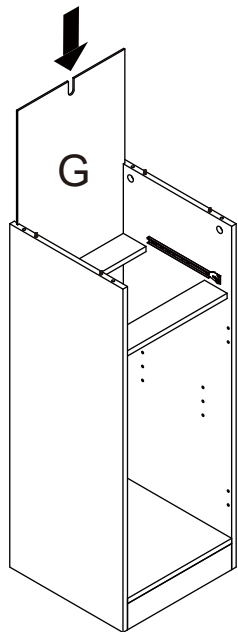


STEP 6

X8

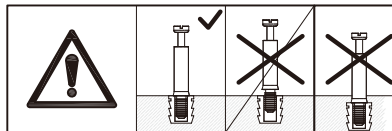
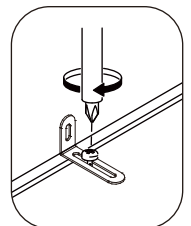
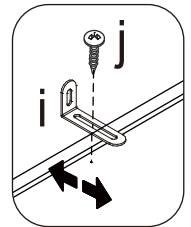
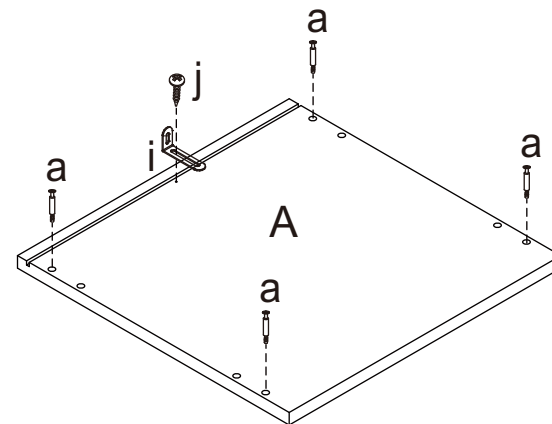


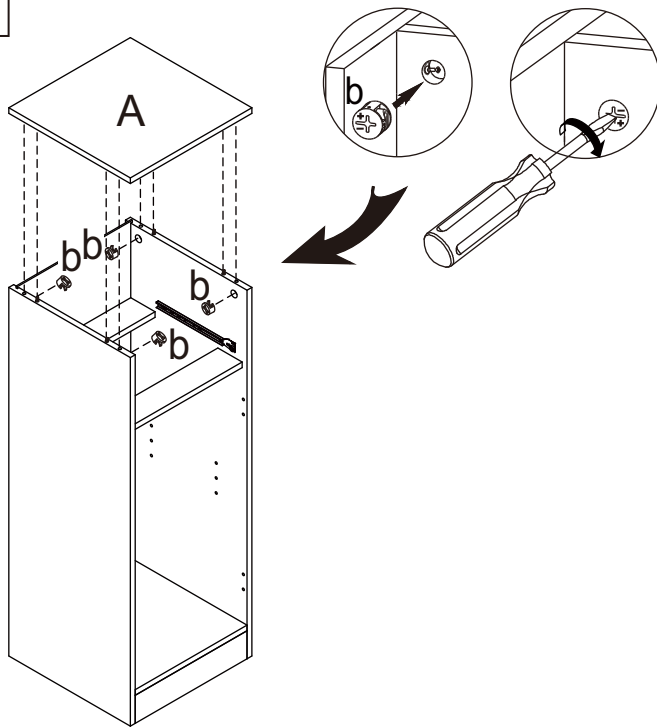
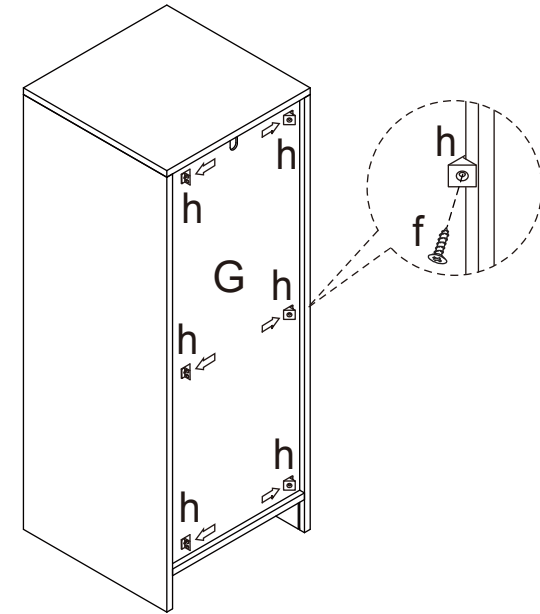


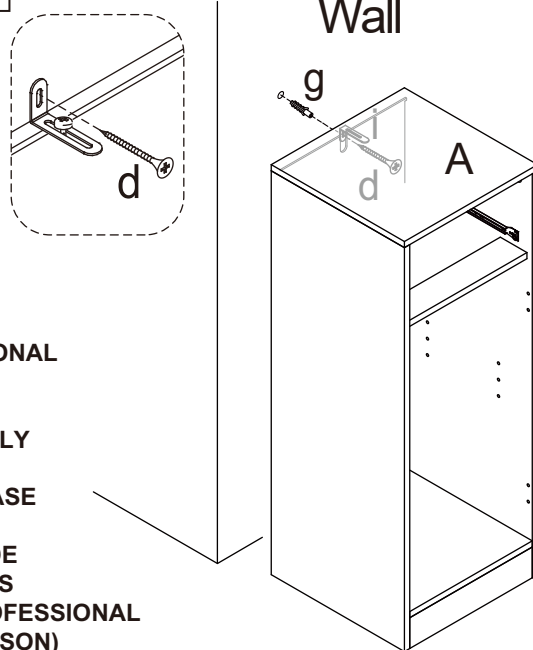
STEP 7



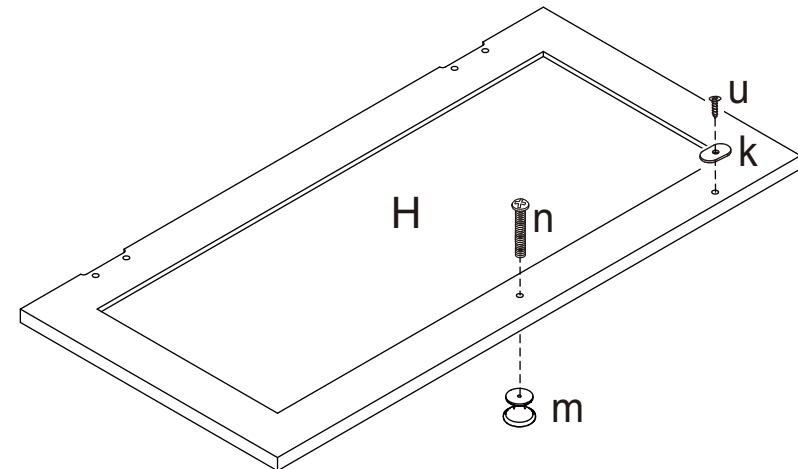
STEP 8

X4 X1 X1





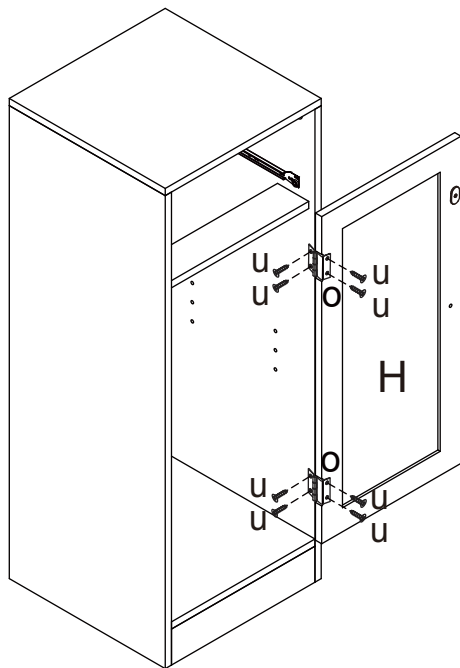
STEP 9
 X4
**STEP 10**
 X6  X6
**STEP 11**
 X1  X1


USER INSTRUCTION FOR WALL FIXINGS:
 IT IS STRONGLY RECOMMENDED THAT THIS PRODUCT IS PERMANENTLY FIXED TO THE WALL. PLEASE SEEK PROFESSIONAL ADVICE IF YOU ARE IN DOUBT OF WHAT FIXING DEVICE TO USE. REGULARLY CHECK THAT WALL FIXING ARE SECURELY MAINTAINED. FOR YOUR SAFETY WHEN ATTACHING THE ANCHOR FIXINGS, PLEASE NOTE THE FOLLOWING: CHECK ANY ELECTRICAL WIRES OR PLUMBING INSIDE THE WALL BEFORE DRILLING ANY HOLES (IF YOU ARE UNSURE PLEASE SEEK PROFESSIONAL ADVICE FROM A QUALIFIED TRADESPERSON)

STEP 12
 X1  X1  X1  X1


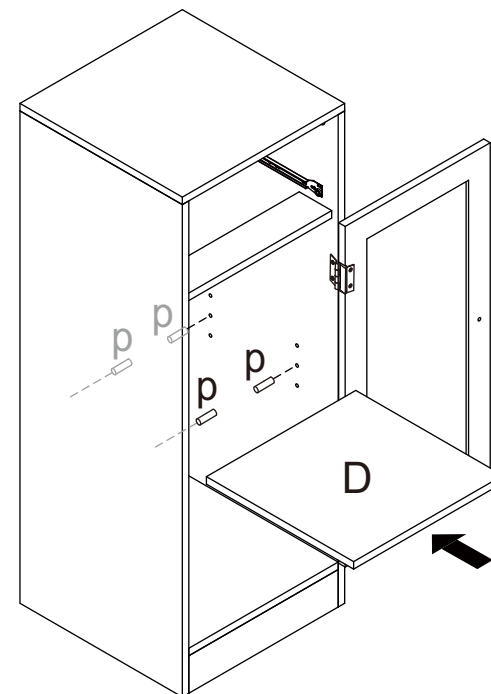
STEP 13

 X8  X2



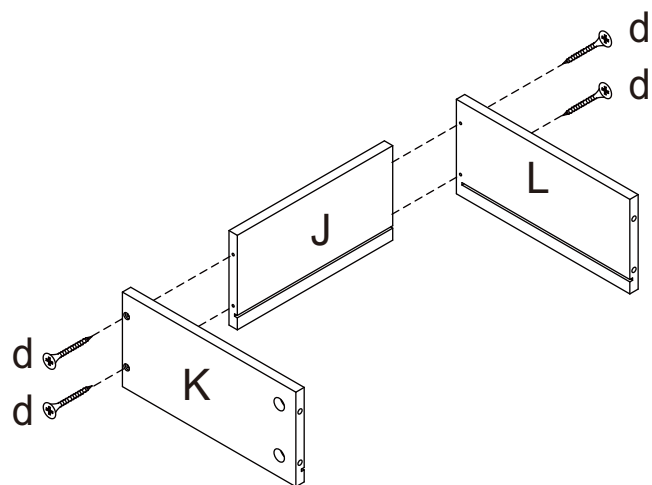
STEP 14

 X4






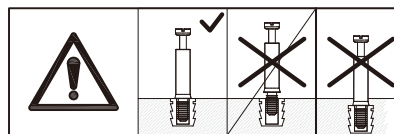
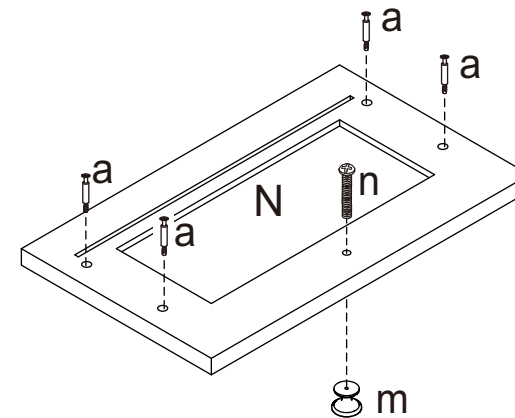
STEP 15

 X4



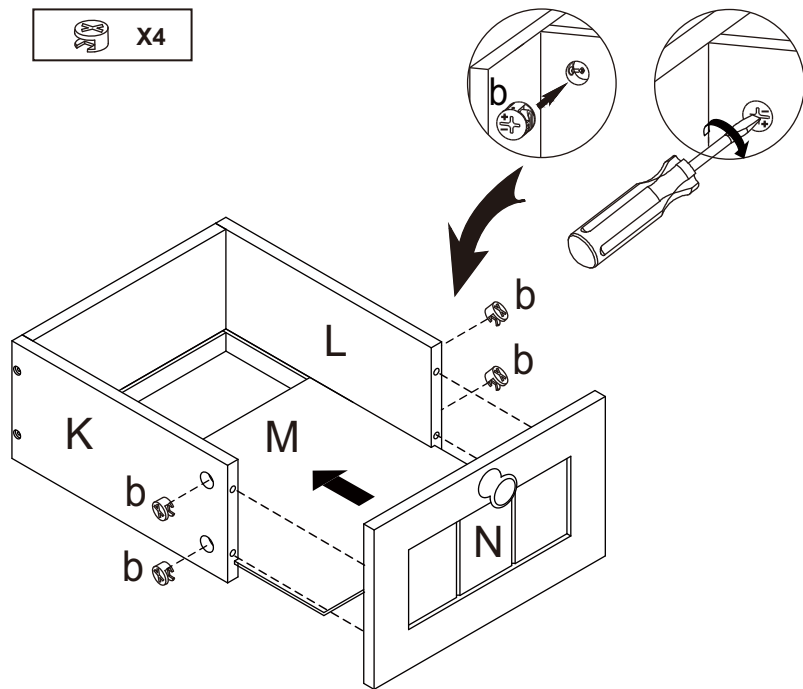
STEP 16

 X4  X1  X1




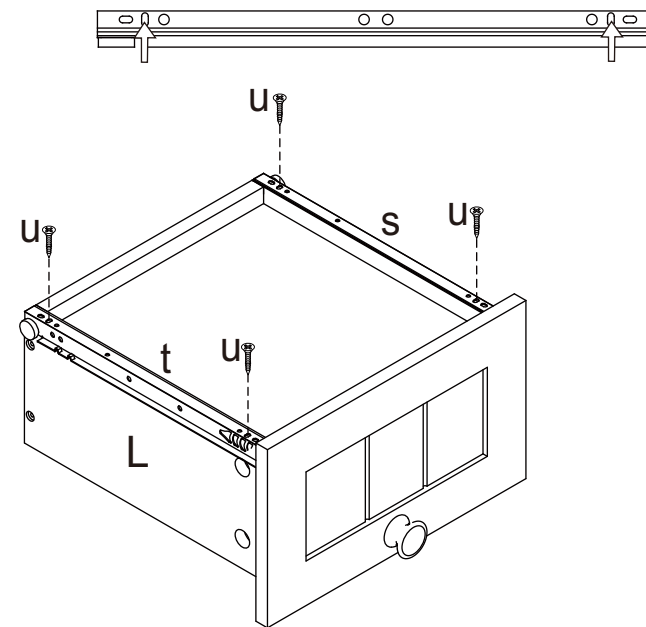
STEP 17

 X4

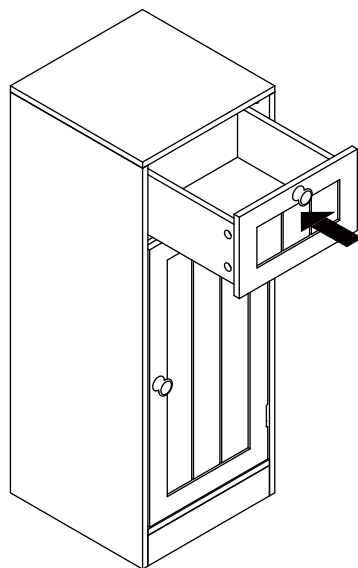


STEP 18

 X4  X1  X1



STEP 19



STEP 20

