










Assembly Instructions









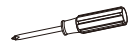
43116133 Panelled Tall Storage Unit

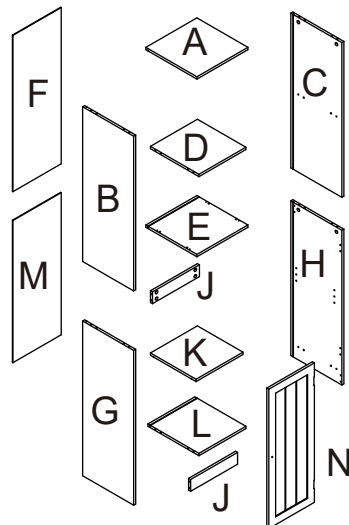
WARNING: DO NOT USE THIS UNIT UNLESS ALL BOLTS AND SCREWS ARE FIRMLY SECURED. DO NOT KNOCK OR DRAG THIS UNIT. USE ONLY ON A FLAT SURFACE. FAILURE TO FOLLOW THESE WARNINGS COULD RESULT IN SERIOUS INJURY. THIS PACKAGE CONTAINS SMALL PARTS AND SHARP POINTS, KEEP AWAY FROM CHILDREN AND BABIES.

MAXIMUM TOTAL LOADING WEIGHT: 5KG FOR EACH SHELF, 20KG IN TOTAL.

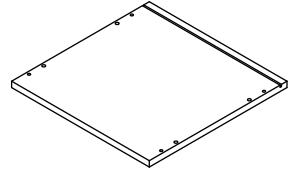
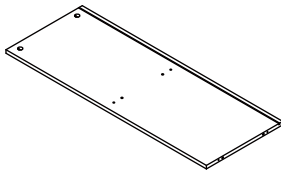
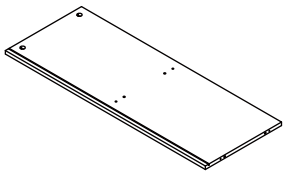
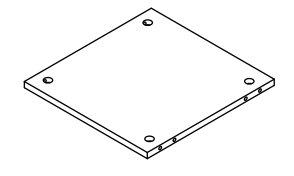
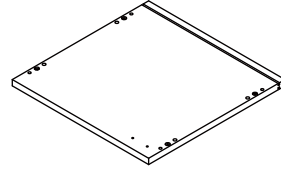
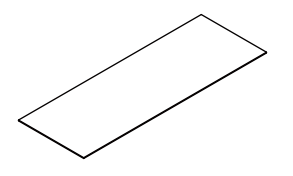
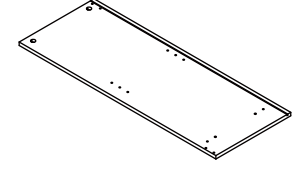
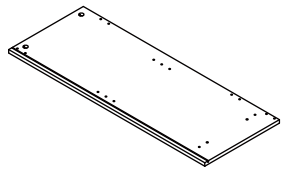
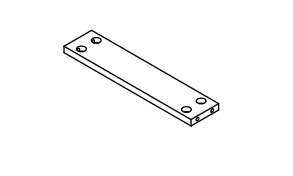
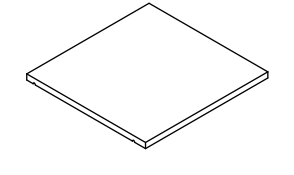
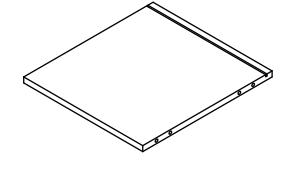
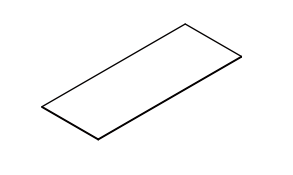
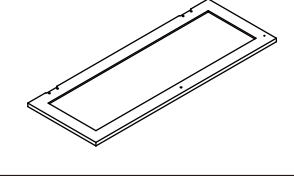
Hardware list

	a		24PCS
	b		24PCS
	c	6X30mm	20PCS
	d	4X30mm	5PCS
	e		1PC
	f	3X14mm	14PCS
	g		1PC
	h		1PC
	i	4X10mm	1PC

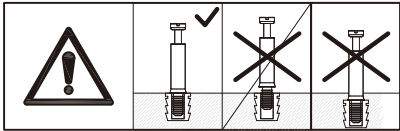
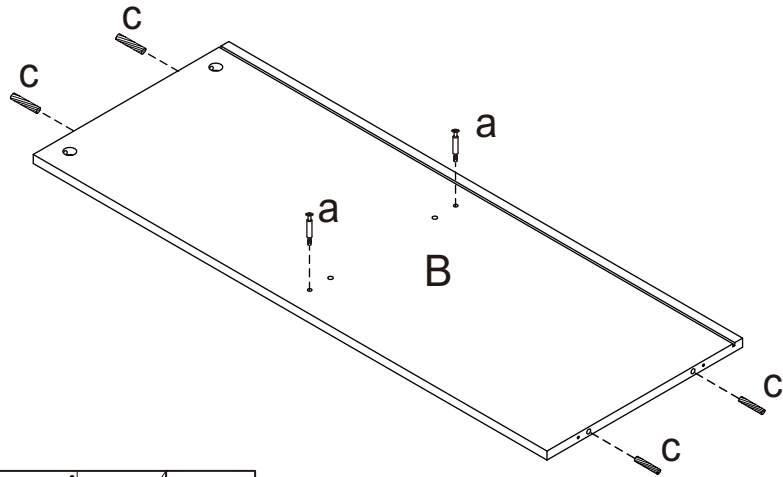
	j		1PC
	k	3X12mm	9PCS
	m		1PC
	n	4X14mm	1PC
	o		2PCS
	p		4PCS
	q		12PCS
	r		24PCS
	Tool required Philips Head Screw Driver (Not Provided)		



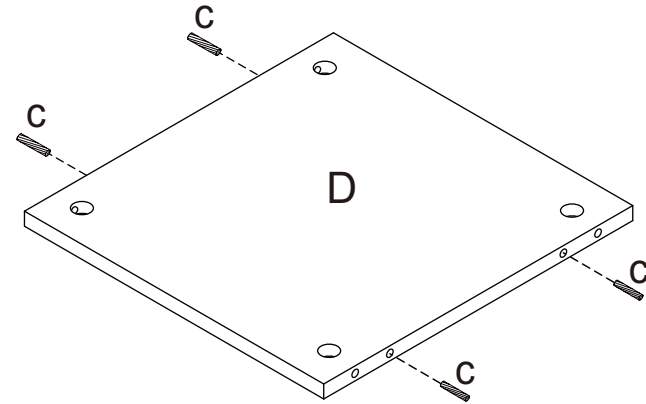
DO NOT TIGHTEN THE SCREWS UNTIL THE PRODUCT IS FULLY ASSEMBLED.

					
A	1 PC	B	1 PC	C	1 PC
					
D	1 PC	E	1 PC	F	1 PC
					
G	1 PC	H	1 PC	J	2 PCS
					
K	1 PC	L	1 PC	M	1 PC
					
N	1 PC				

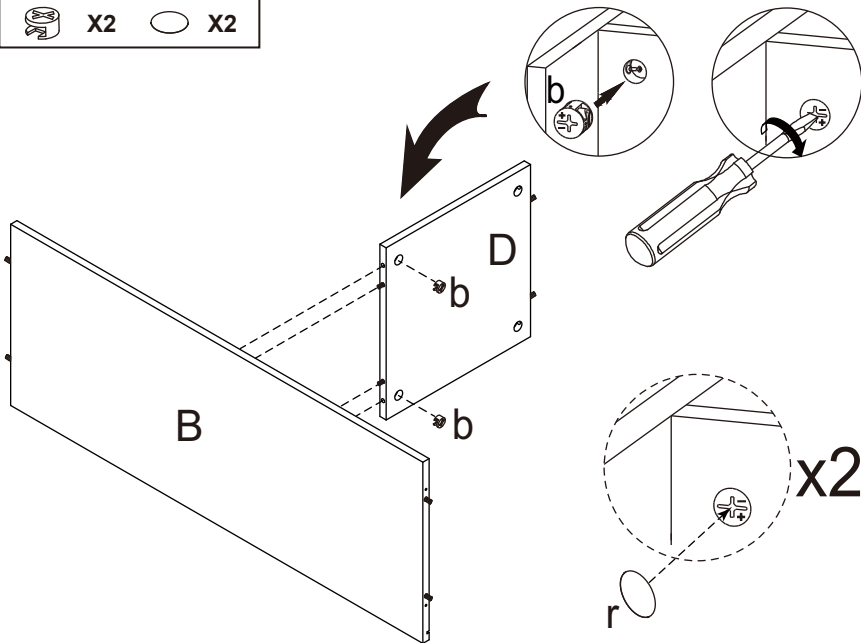
STEP 1



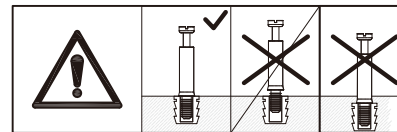
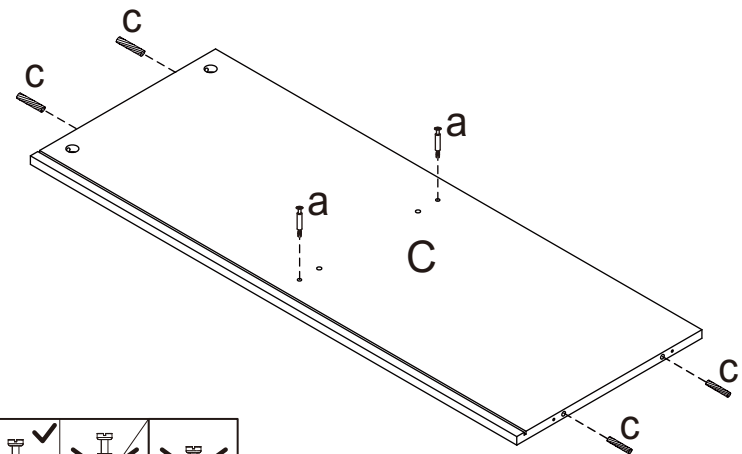
STEP 2



STEP 3

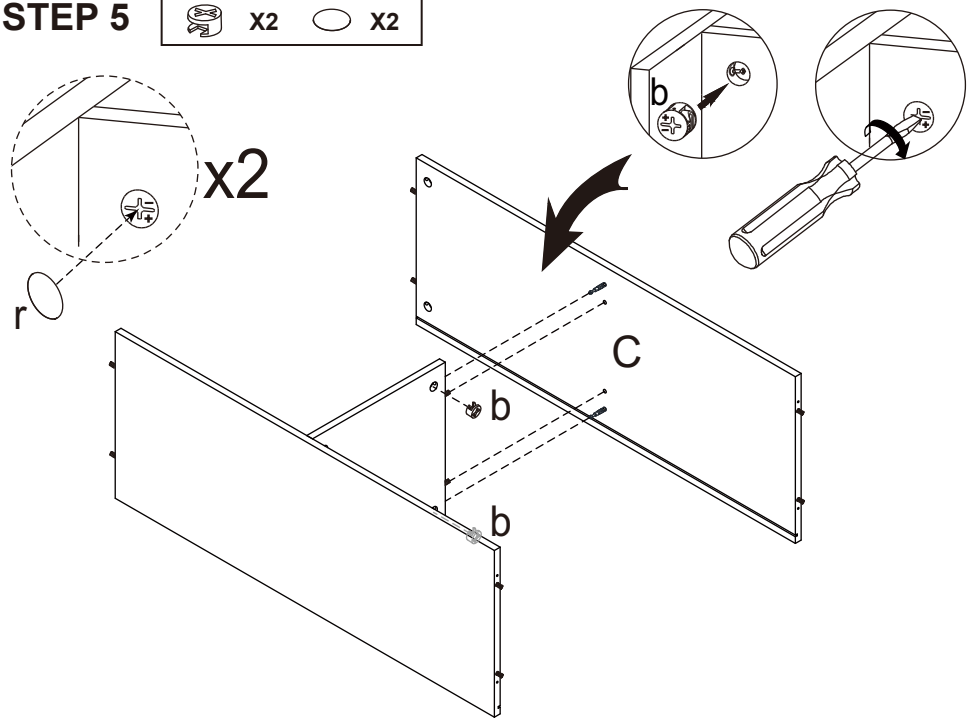


STEP 4



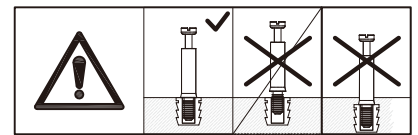
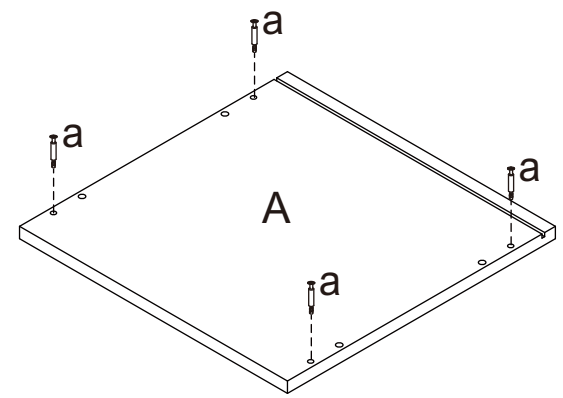
STEP 5

 X2  X2



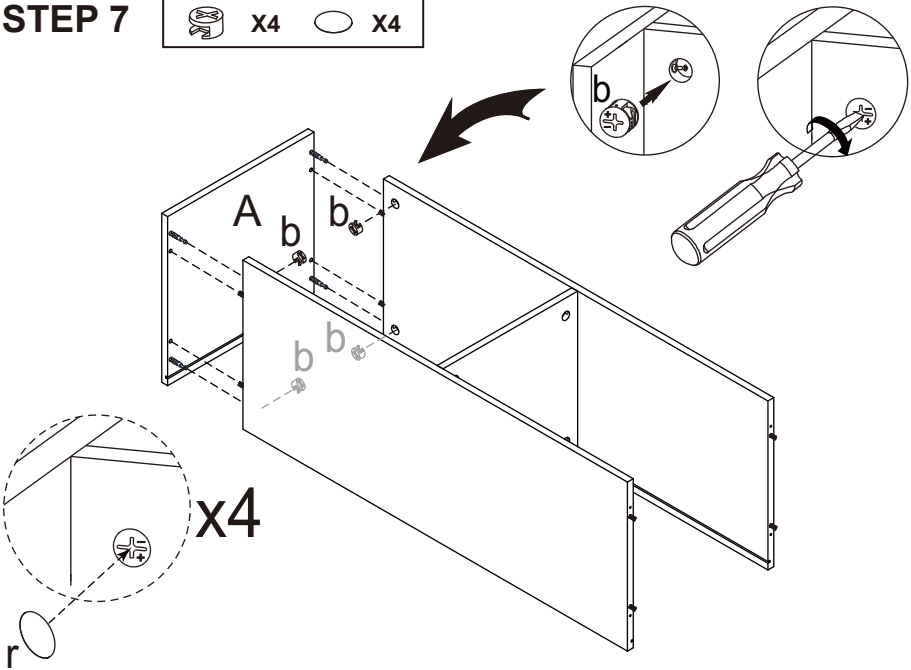
STEP 6

 X4

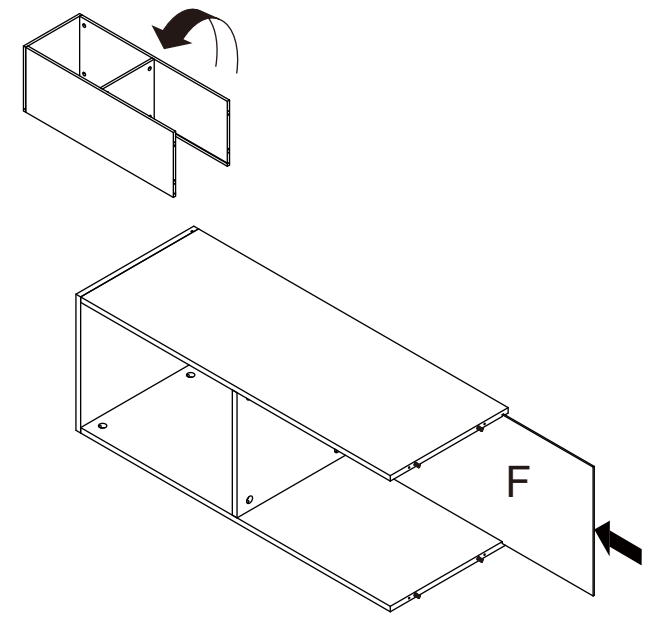


STEP 7

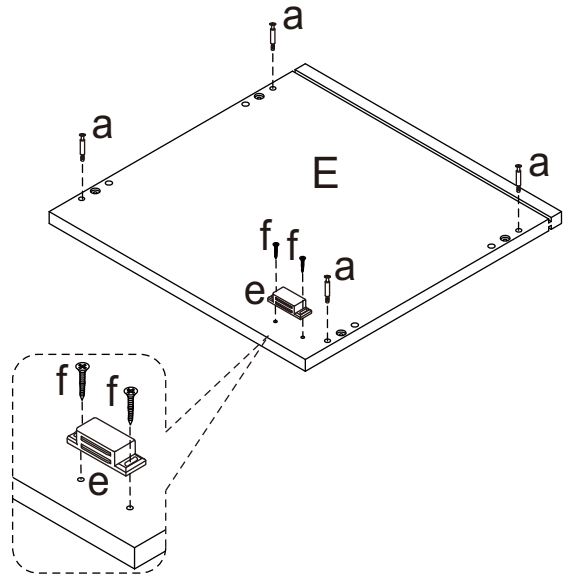
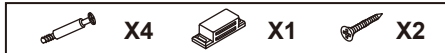
 X4  X4



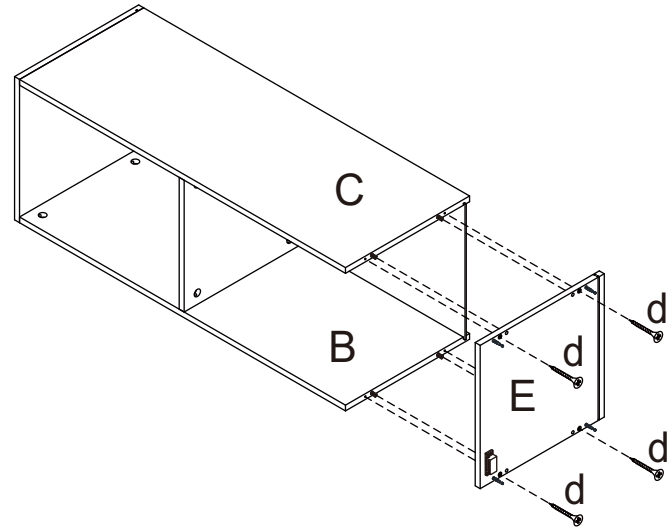
STEP 8



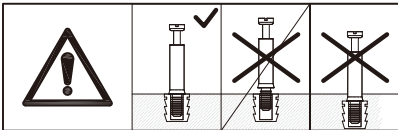
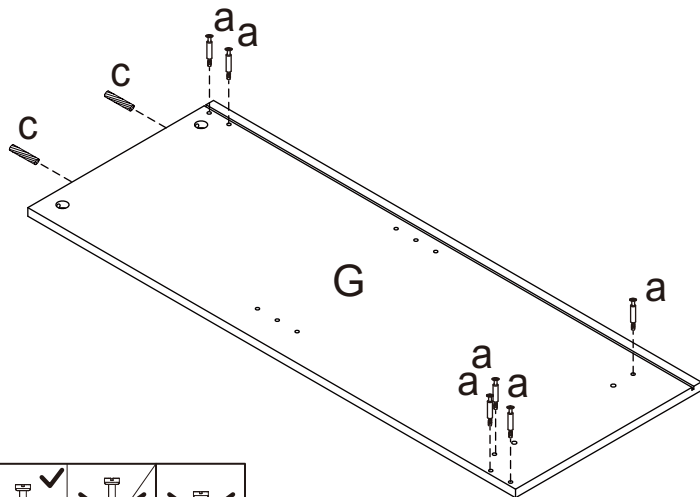
STEP 9



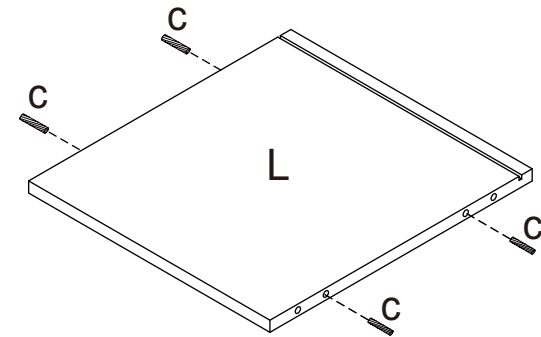
STEP 10



STEP 11

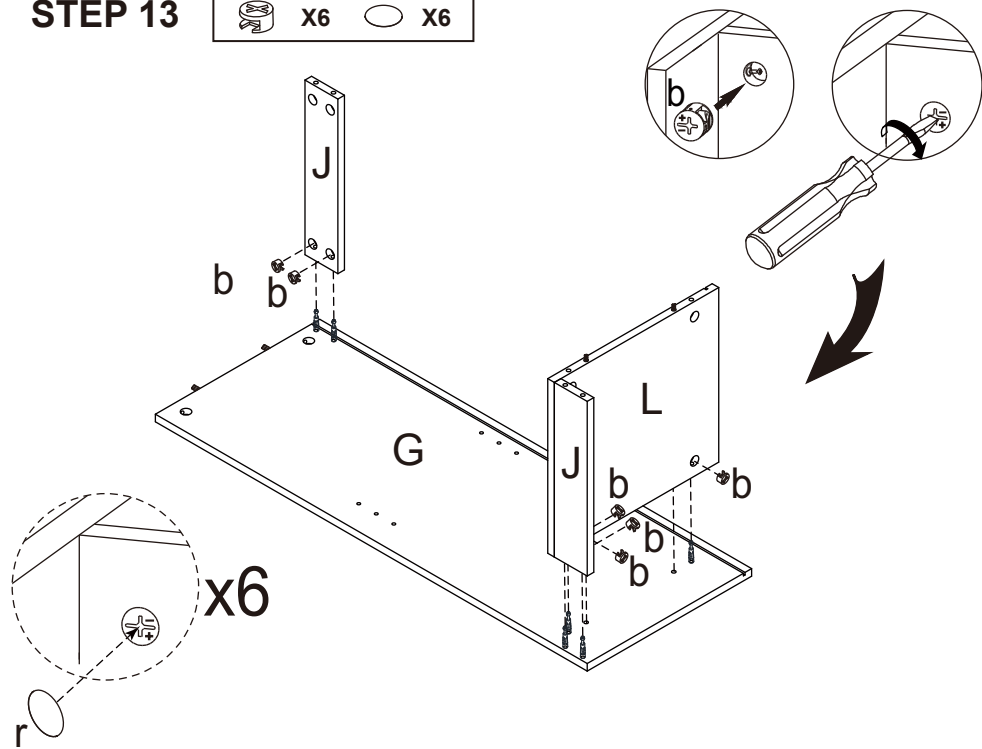


STEP 12



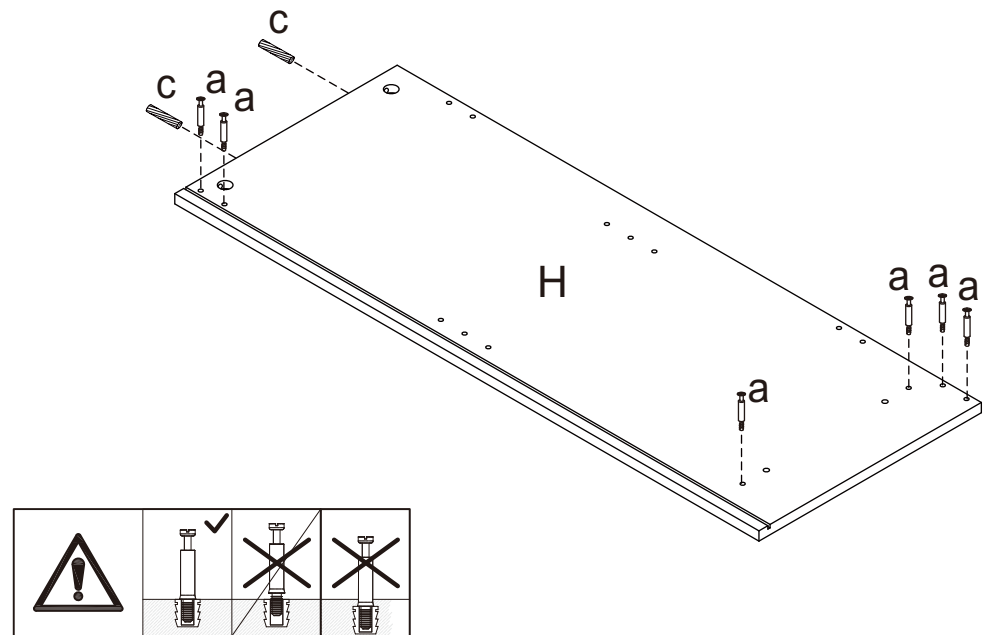
STEP 13

 X6  X6



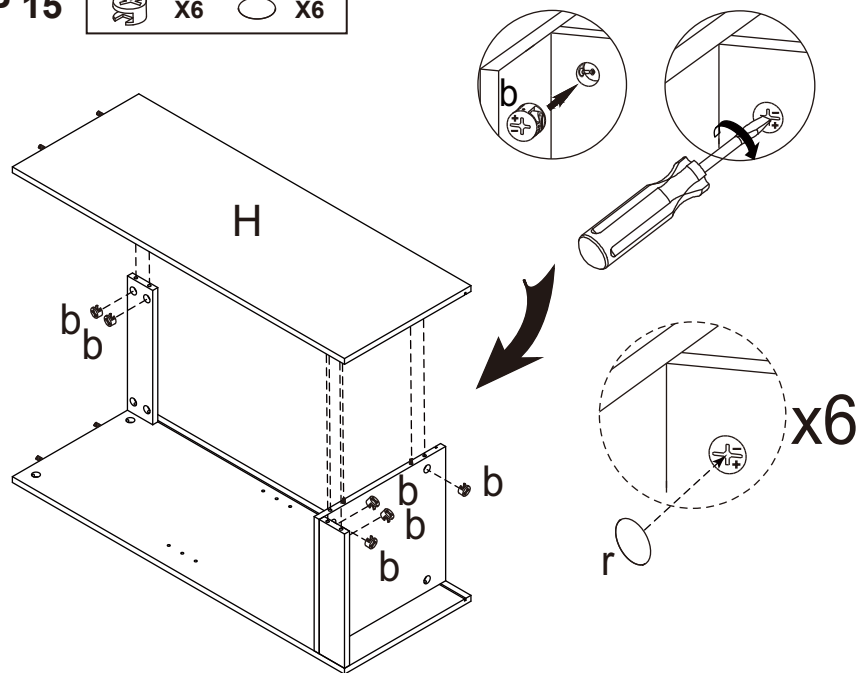
STEP 14

 X6  X2

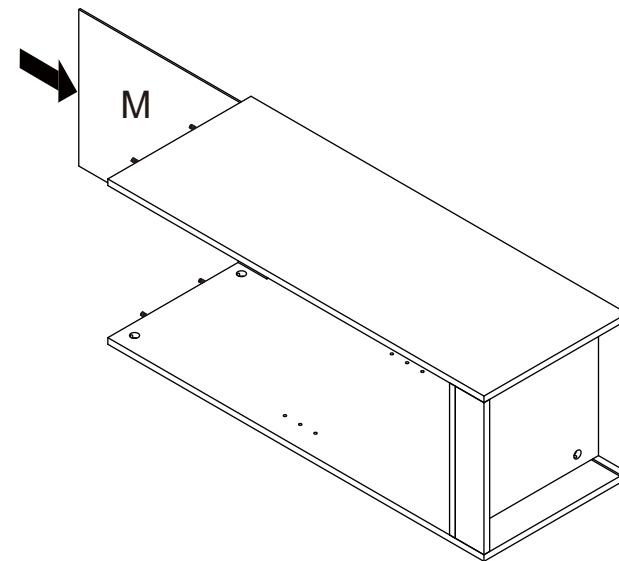


STEP 15

 X6  X6

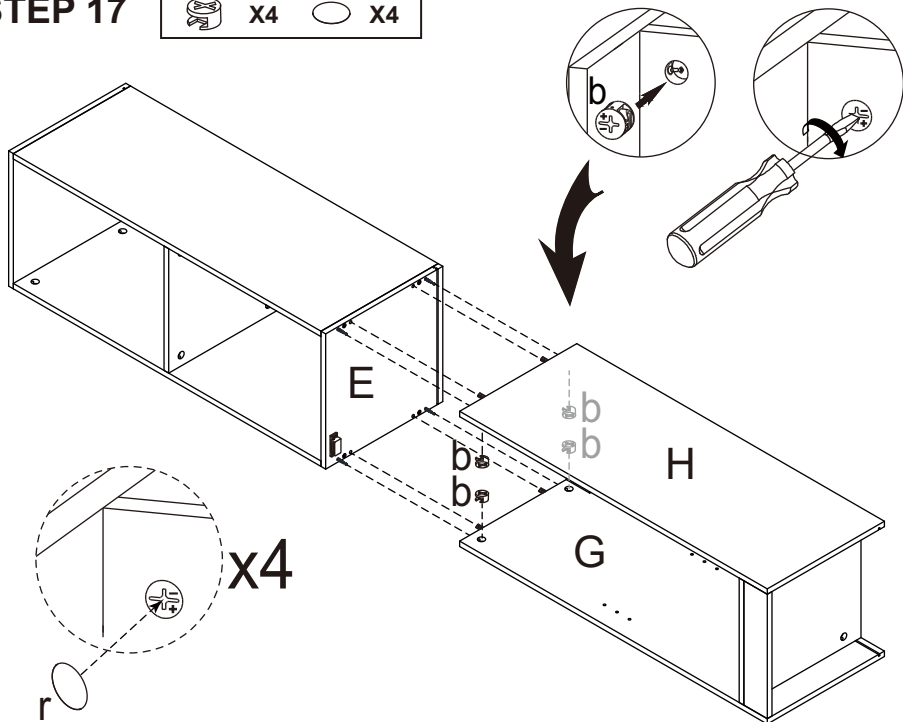


STEP 16



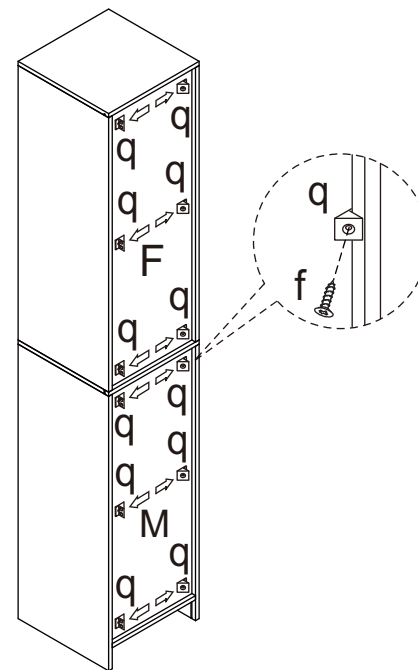
STEP 17

 X4  X4







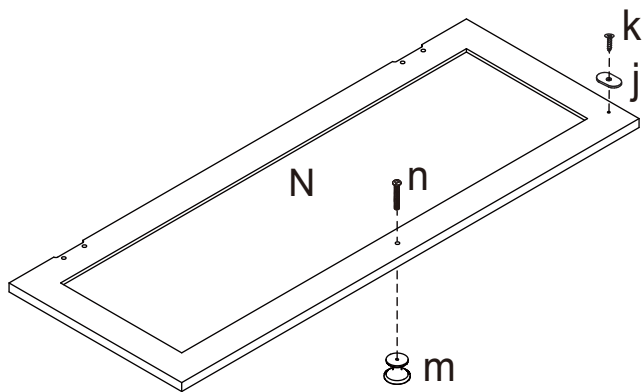
STEP 18

 X12  X12



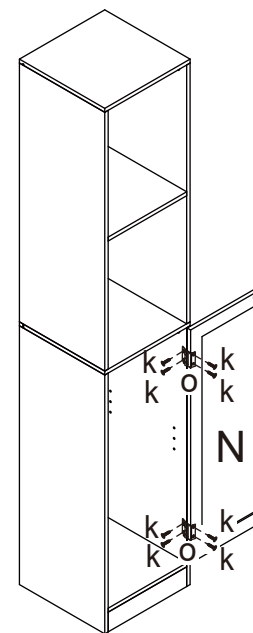
STEP 19

 X1  X1  X1  X1

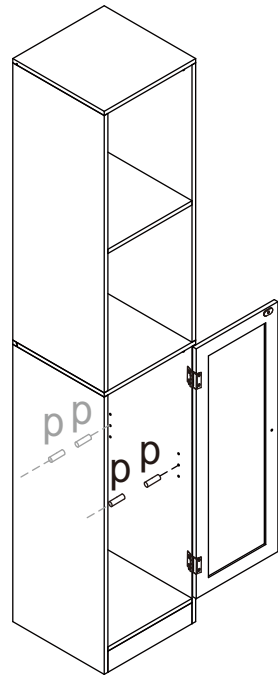
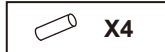


STEP 20

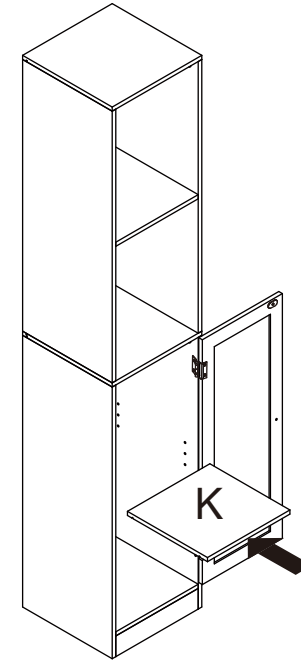
 X8  X2



STEP 21



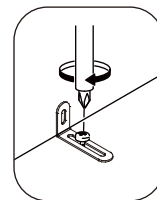
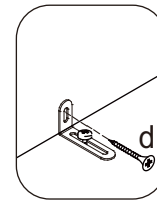
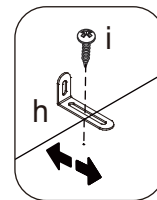
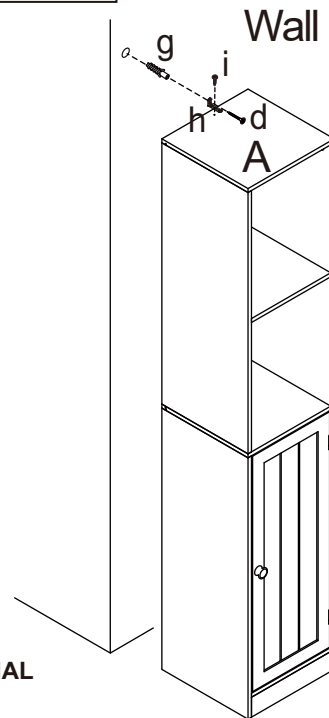
STEP 22



STEP 23



USER INSTRUCTION FOR WALL FIXINGS:
IT IS STRONGLY RECOMMENDED THAT THIS PRODUCT IS PERMANENTLY FIXED TO THE WALL. PLEASE SEEK PROFESSIONAL ADVICE IF YOU ARE IN DOUBT OF WHAT FIXING DEVICE TO USE. REGULARLY CHECK THAT WALL FIXINGS ARE SECURELY MAINTAINED. FOR YOUR SAFETY WHEN ATTACHING THE ANCHOR FIXINGS, PLEASE NOTE THE FOLLOWING: CHECK ANY ELECTRICAL WIRES OR PLUMBING INSIDE THE WALL BEFORE DRILLING ANY HOLES (IF YOU ARE UNSURE PLEASE SEEK PROFESSIONAL ADVICE FROM A QUALIFIED TRADESPERSON)



STEP 24

