










# Assembly Instructions









## 43116140 Panelled Corner Storage Unit

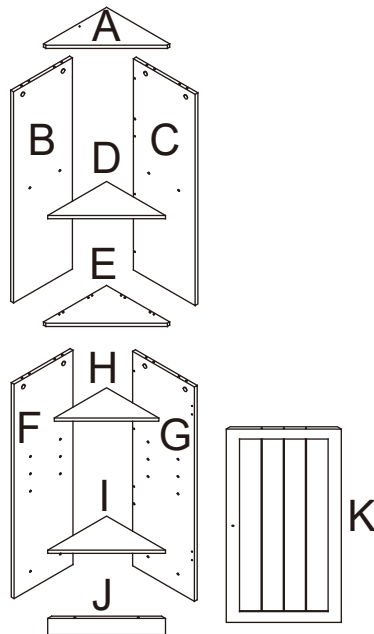
**WARNING:** DO NOT USE THIS UNIT UNLESS ALL BOLTS AND SCREWS ARE FIRMLY SECURED. DO NOT KNOCK OR DRAG THIS UNIT. USE ONLY ON A FLAT SURFACE. FAILURE TO FOLLOW THESE WARNINGS COULD RESULT IN SERIOUS INJURY. THIS PACKAGE CONTAINS SMALL PARTS AND SHARP POINTS, KEEP AWAY FROM CHILDREN AND BABIES.

**MAXIMUM TOTAL LOADING WEIGHT:** 3KG FOR EACH SHELF, 12KG IN TOTAL.


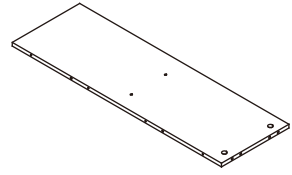
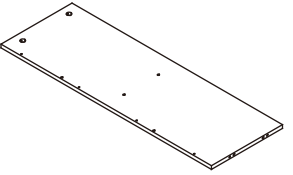
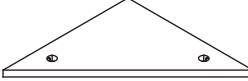
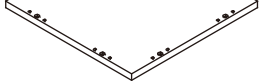
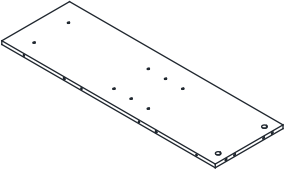
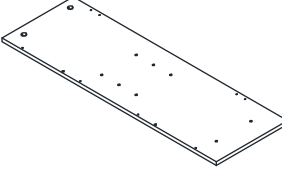

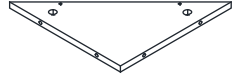
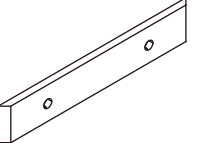

### Hardware list

	a		14PCS
	b		14PCS
	c	6X30mm	20PCS
	d	4X30mm	13PCS
	e		4PCS
	f	3X10mm	9PCS
	g	3X14mm	2PCS
	h		1PC
	i		1PC

	j		2PCS
	k		1PC
	l	4X14mm	1PC
	m	4X10mm	1PC
	n		1PC
	o		1PC
	p		14PCS
	Tool required Philips Head Screw Driver (Not Provided)		

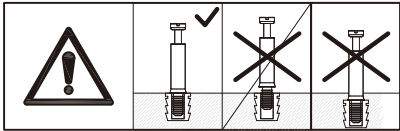
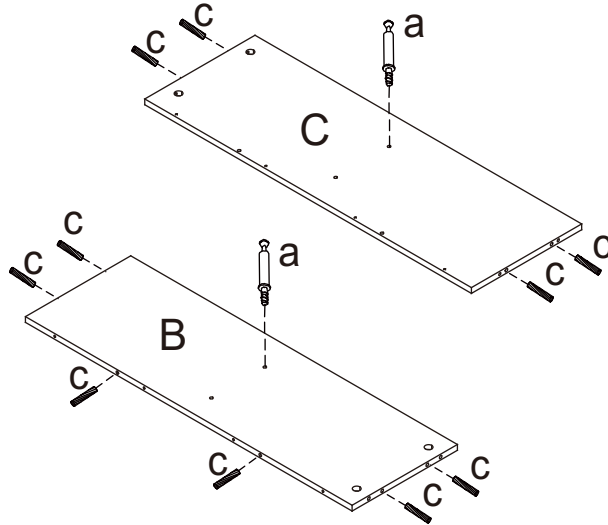


**DO NOT TIGHTEN THE SCREWS UNTIL THE PRODUCT IS FULLY ASSEMBLED.**

					
A	1 PC	B	1 PC	C	1 PC
					
D	1 PC	E	1 PC	F	1 PC
					
G	1 PC	H	1 PC	I	1 PC
					
J	1 PC	K	1 PC		

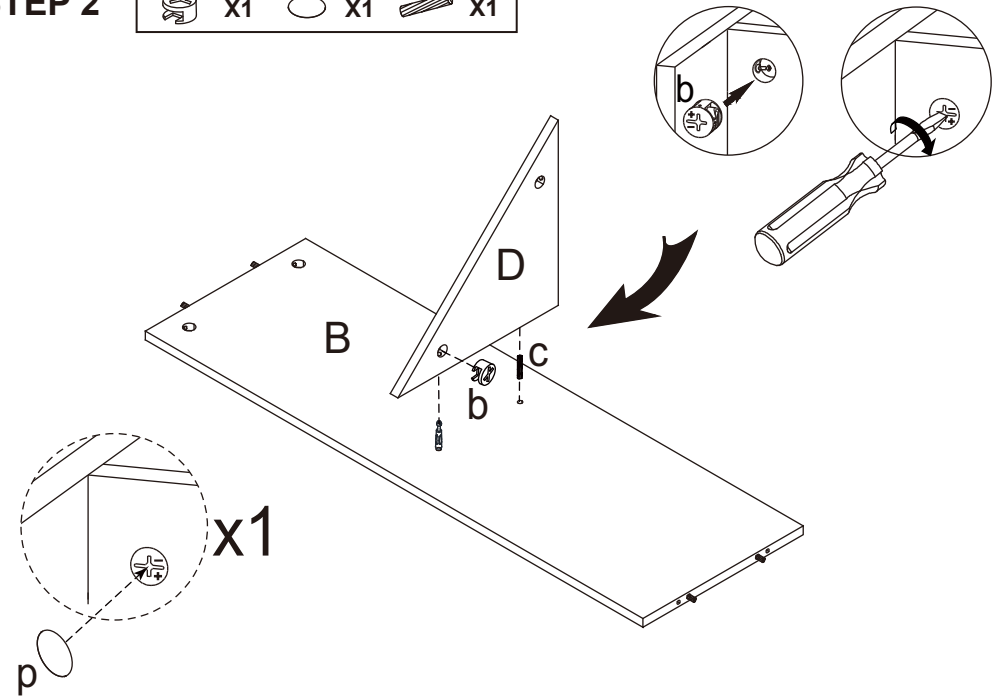
**STEP 1**

-  X2
-  X10



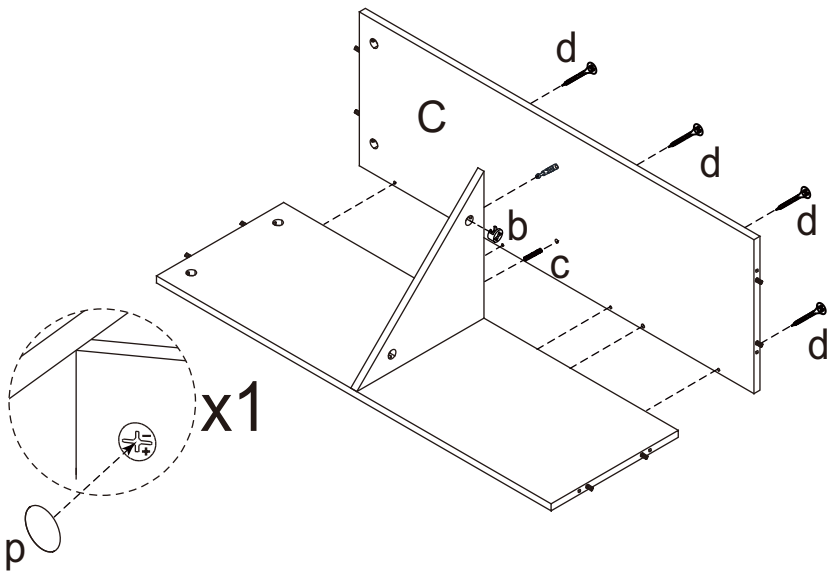
**STEP 2**

-  X1
-  X1
-  X1



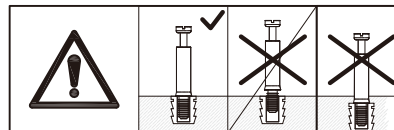
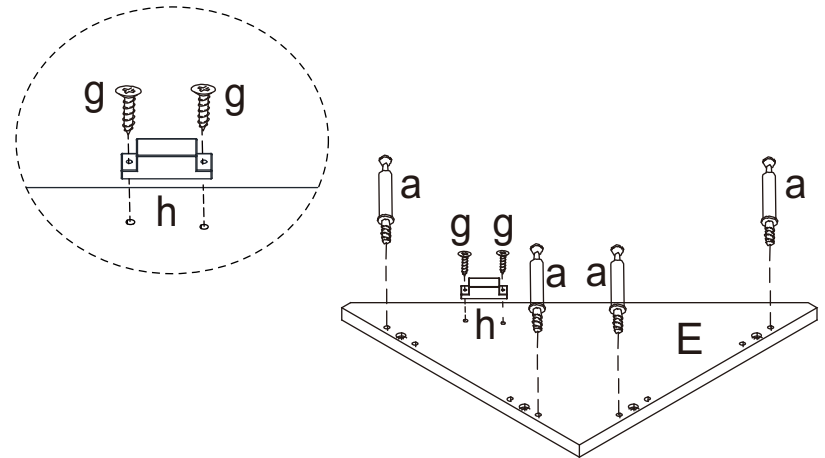
**STEP 3**

-  X1
-  X1
-  X1
-  X4



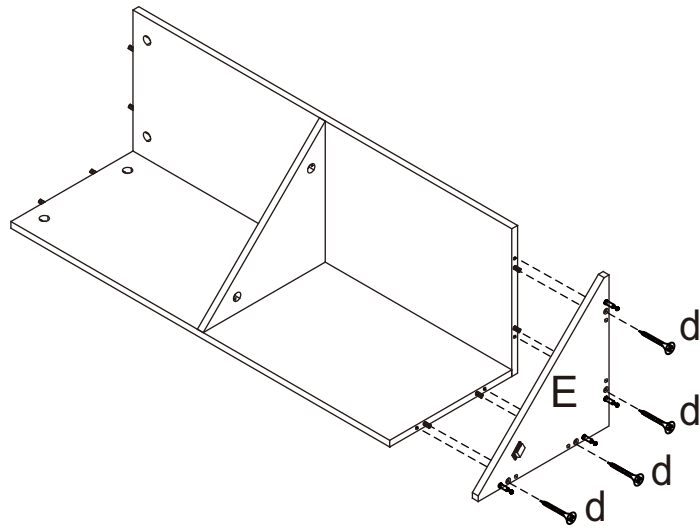
**STEP 4**

-  X4
-  X1
-  X2



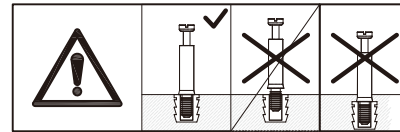
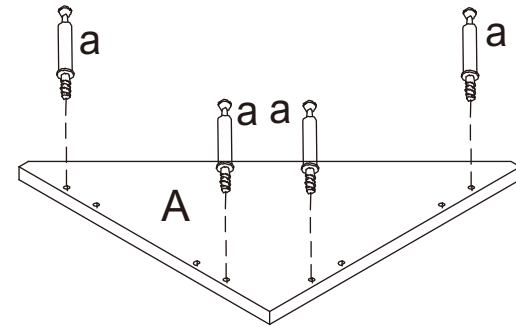
### STEP 5

 X4



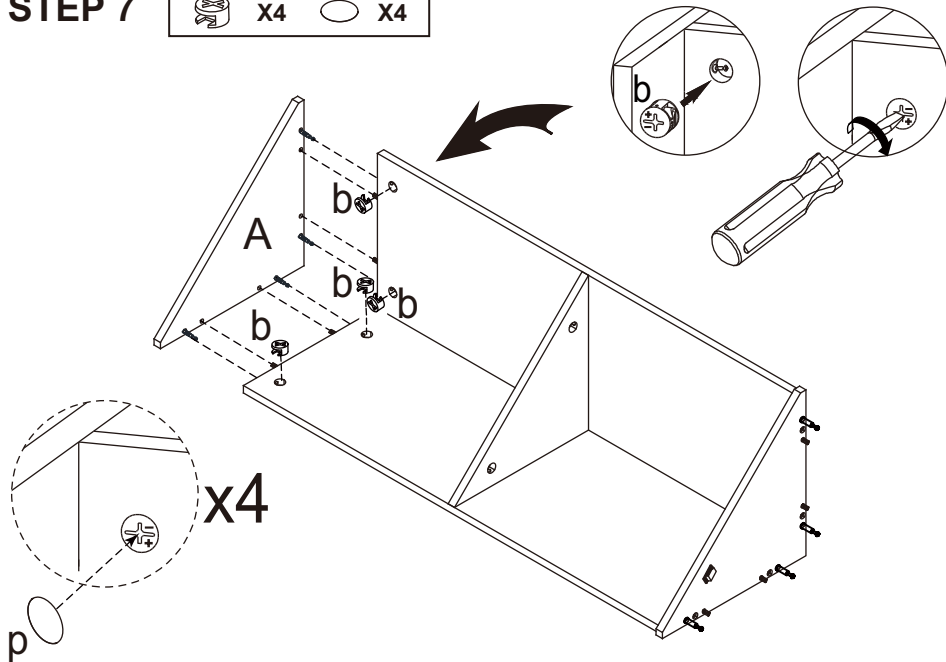
### STEP 6

 X4



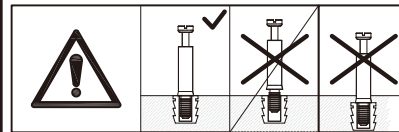
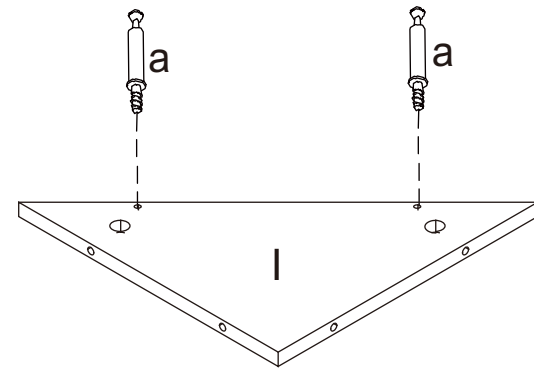
### STEP 7

 X4  X4





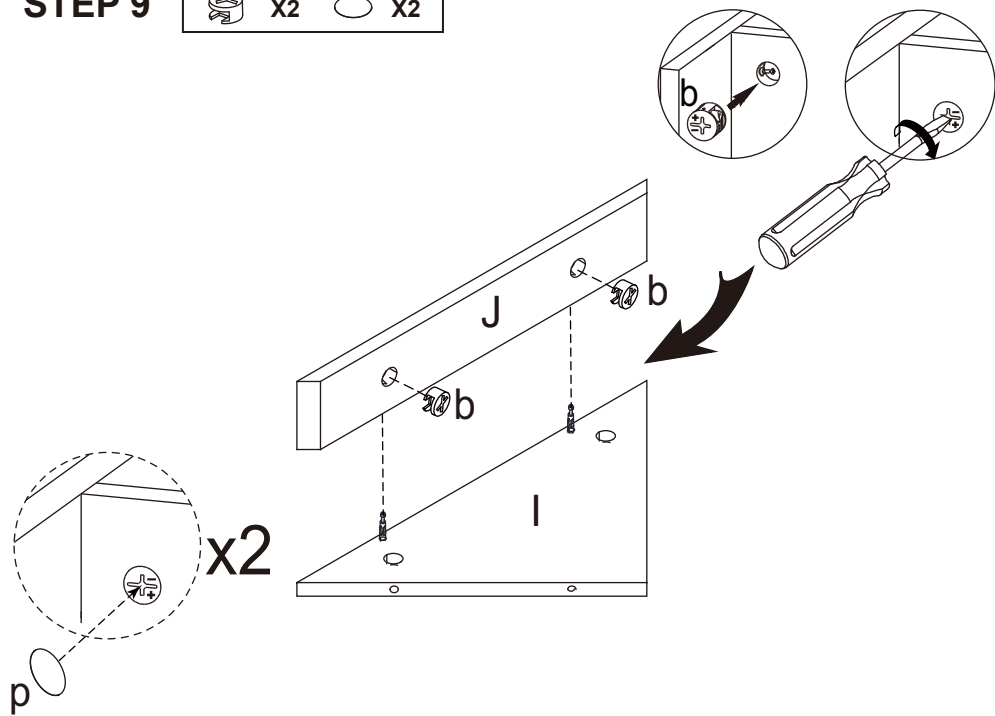
### STEP 8

 X2



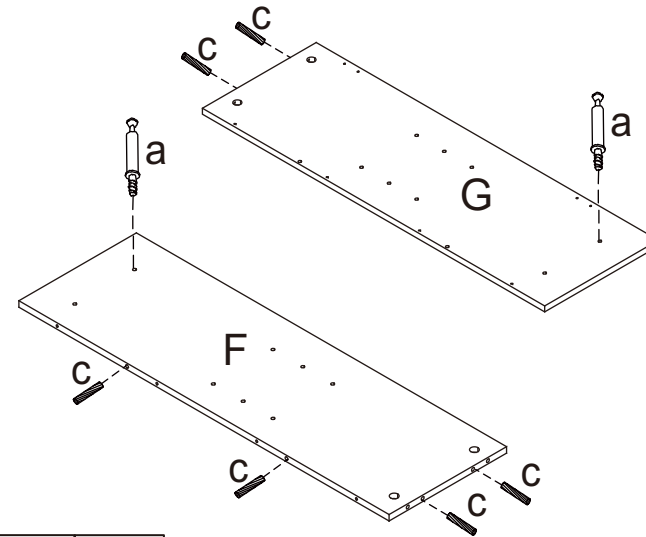
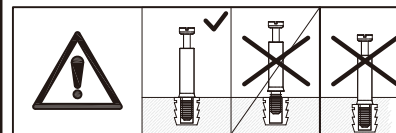
### STEP 9

 X2  X2



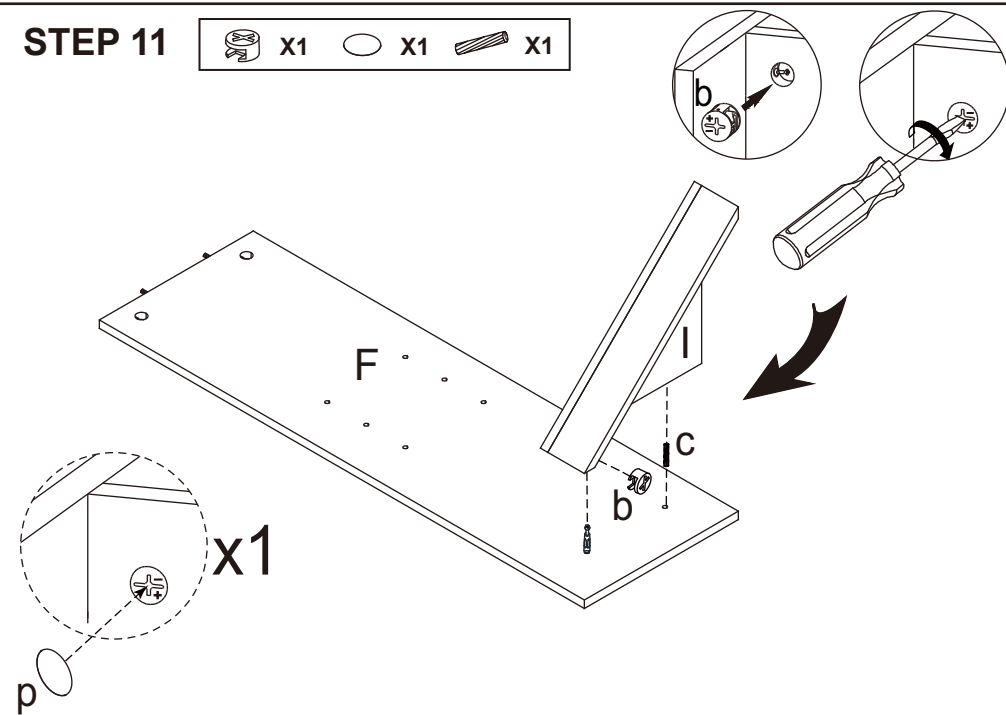
### STEP 10

 X2  X6



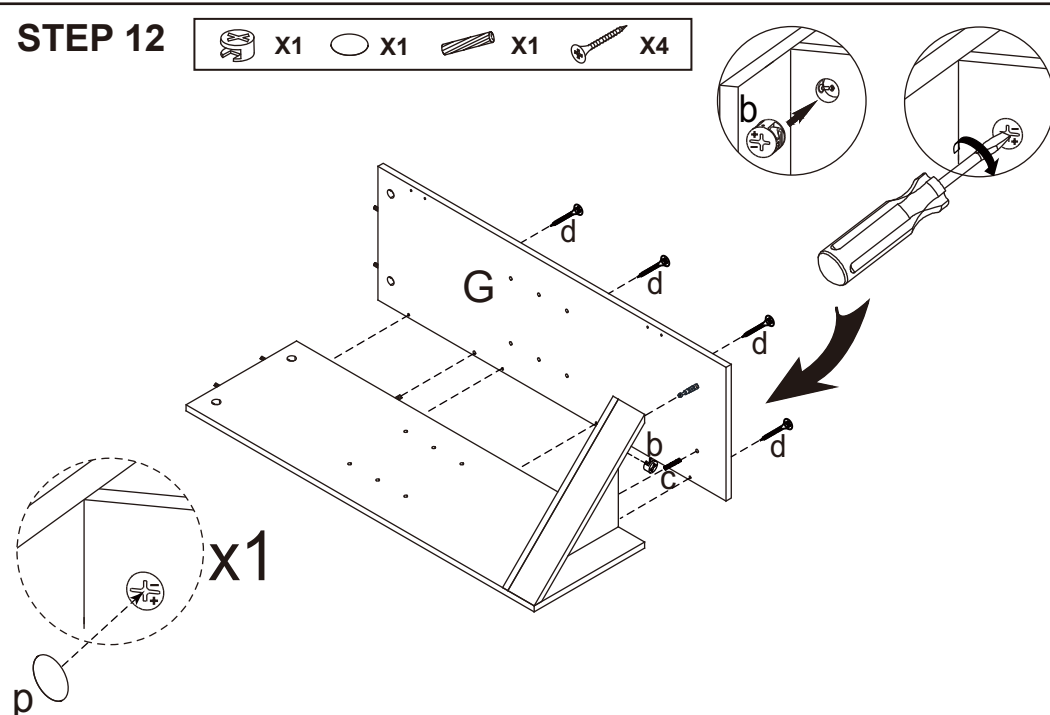
### STEP 11

 X1  X1  X1



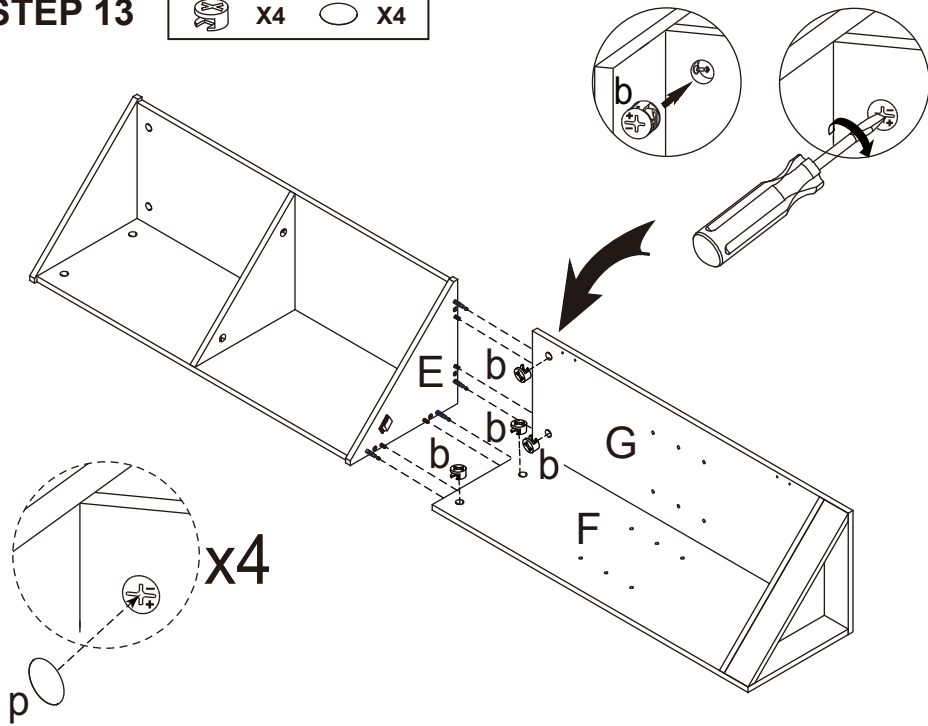
### STEP 12

 X1  X1  X1  X4



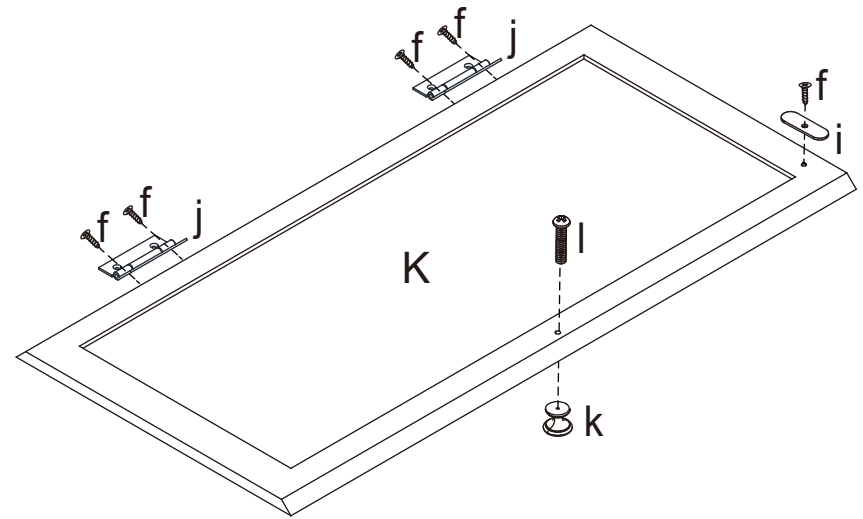
**STEP 13**

 X4  X4



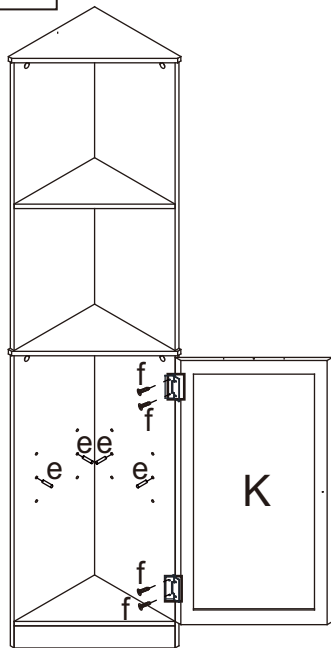
**STEP 14**

 X5  X1  X2  X1  X1

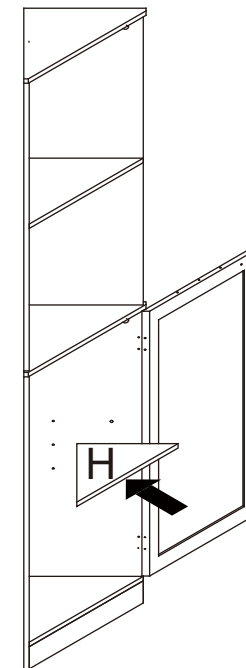


**STEP 15**

 X4  X4



**STEP 16**

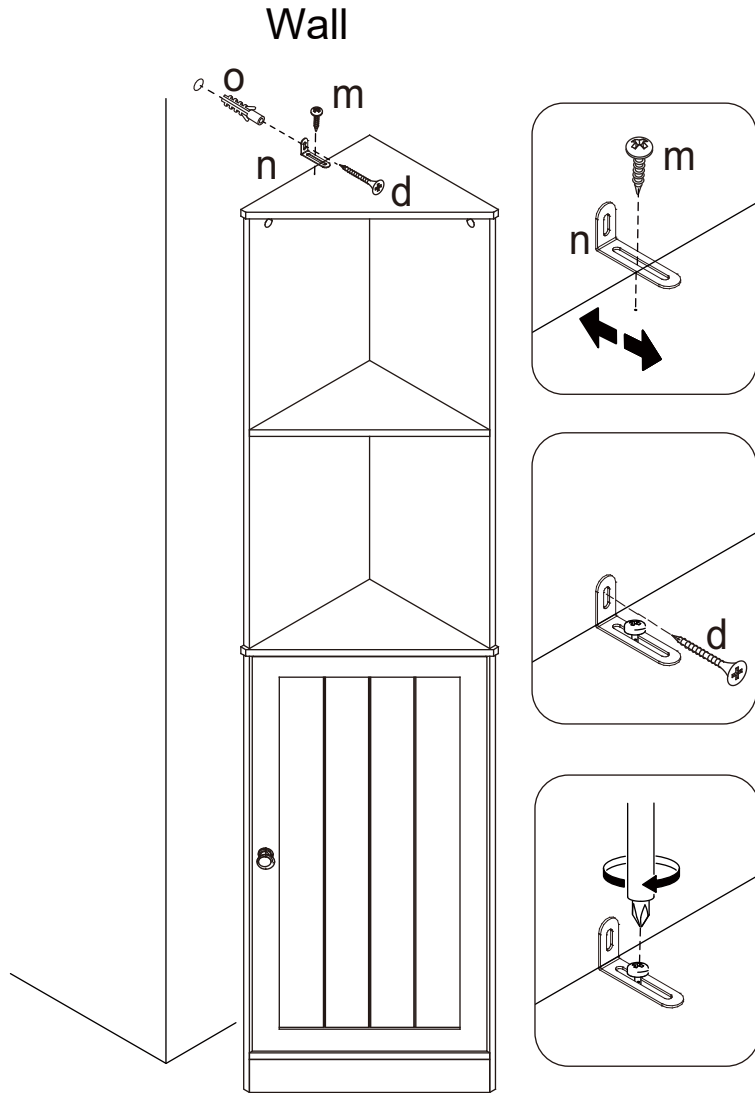


## STEP 17



### USER INSTRUCTION FOR WALL FIXINGS:

IT IS STRONGLY RECOMMENDED THAT THIS PRODUCT IS PERMANENTLY FIXED TO THE WALL. PLEASE SEEK PROFESSIONAL ADVICE IF YOU ARE IN DOUBT OF WHAT FIXING DEVICE TO USE. REGULARLY CHECK THAT WALL FIXINGS ARE SECURELY MAINTAINED. FOR YOUR SAFETY WHEN ATTACHING THE ANCHOR FIXINGS, PLEASE NOTE THE FOLLOWING: CHECK ANY ELECTRICAL WIRES OR PLUMBING INSIDE THE WALL BEFORE DRILLING ANY HOLES (IF YOU ARE UNSURE PLEASE SEEK PROFESSIONAL ADVICE FROM A QUALIFIED TRADESPERSON)



## STEP 18

