

# Assembly Instructions

## 43116782 THORNE BEDSIDE BLACK

### CARE INSTRUCTIONS:









WIPE CLEAN WITH A DRY CLOTH. NOT USE ABRASIVE MATERIALS AND SOLVENTS. CHECK AND TIGHTEN ALL PARTS REGULARLY. KEEP AWAY FROM WATER AND DIRECT SUNLIGHT. STORE IN A DRY PLACE. FOR DOMESTIC USE ONLY. FOR INDOOR USE ONLY. A MILD ODOUR MAY BE PRESENT WHEN FIRST OPENING THIS CARTON. SIMPLY ALLOW TO AIR OUTSIDE AND THIS WILL FADE.

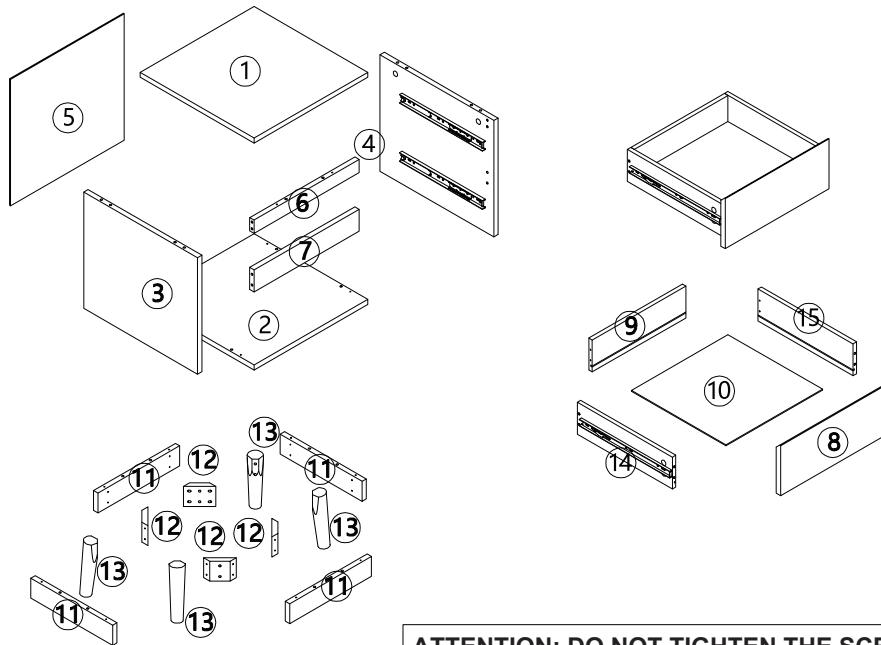
### WARNING:

DO NOT STAND OR SIT ON THIS UNIT. DO NOT USE THIS UNIT UNLESS ALL BOLTS AND SCREWS ARE FIRMLY SECURED. DO NOT KNOCK OR DRAG THIS UNIT. USE ONLY ON A FLAT SURFACE. ADULT ASSEMBLY REQUIRED. FAILURE TO FOLLOW THESE WARNING COULD RESULT IN SERIOUS INJURY. LOAD DRAWER EVENLY TO PREVENT FROM TIPPING OVER. THIS PACKAGE CONTAINS SMALL PARTS AND SHARP POINTS. KEEP AWAY FROM CHILDREN AND BABIES.

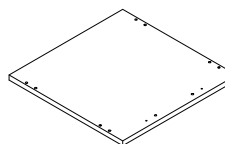
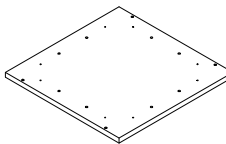
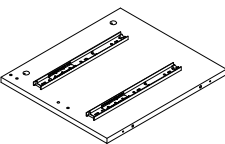
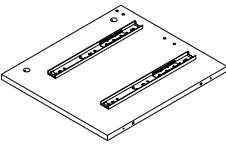
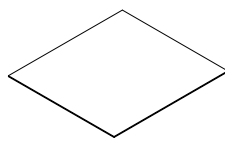
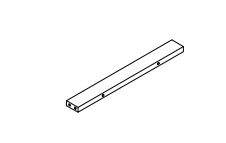
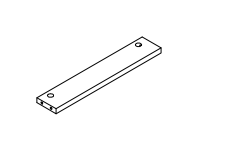
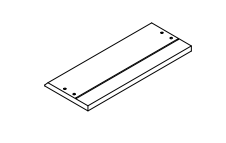
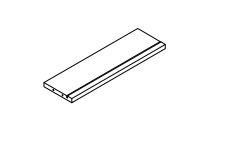
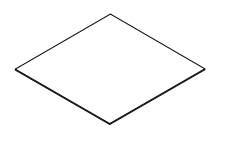
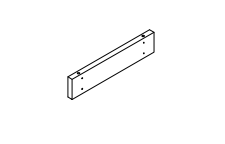

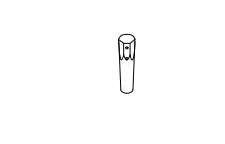
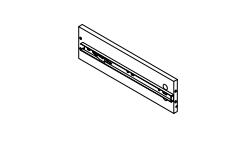
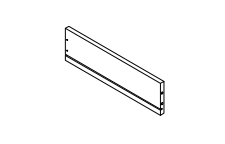
**MAXIMUM SAFE LOAD: 10KG FOR TOP PANEL, 5KG FOR EACH DRAWER.**

## Hardware List

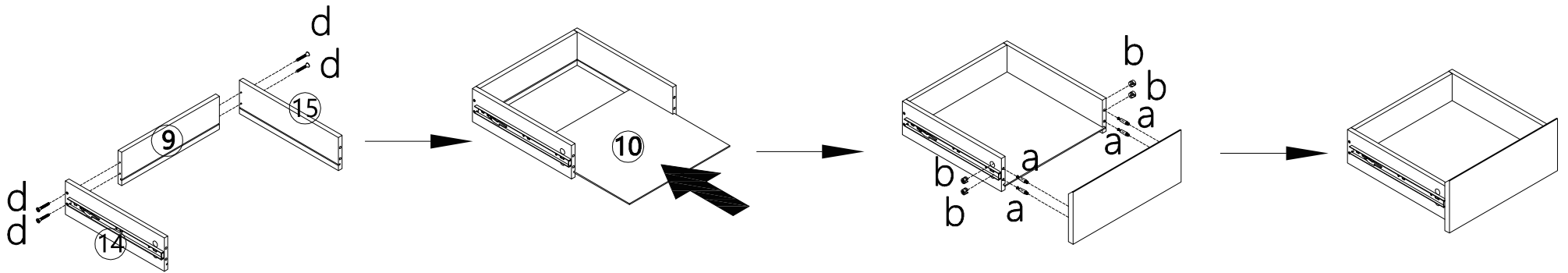
	a	6x35mm	14pcs		e	2x16mm	8pcs
	b	15x9.5mm	14pcs		f	4x25mm	16pcs
	c	6x30mm	24pcs		g	6x55mm	8pcs
	d	4x35mm	14pcs		h	4x55mm	8pcs



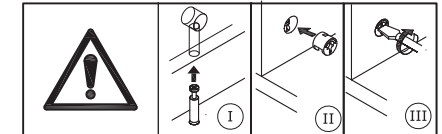
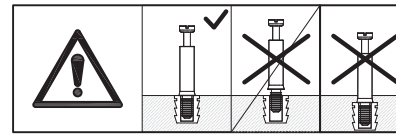
**ATTENTION: DO NOT TIGHTEN THE SCREWS UNTIL THE PRODUCT IS FULLY ASSEMBLED.**

	①	1PC		②	1PC		③	1PC		④	1PC
	⑤	1PC		⑥	1PC		⑦	1PC		⑧	2PCS
	⑨	2PCS		⑩	2PCS		⑪	4PCS		⑫	4PCS
	⑬	4PCS		⑭	2PCS		⑮	2PCS			

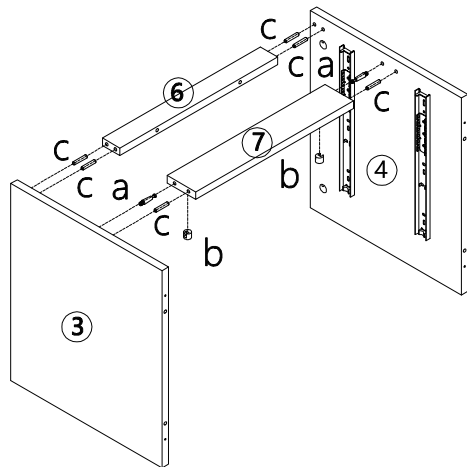
### Step 1:



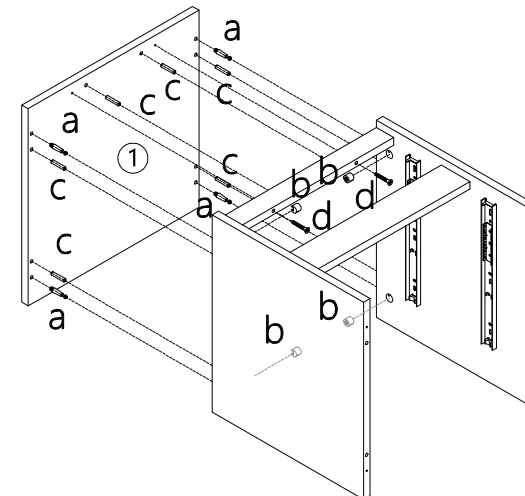
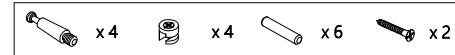
# X2



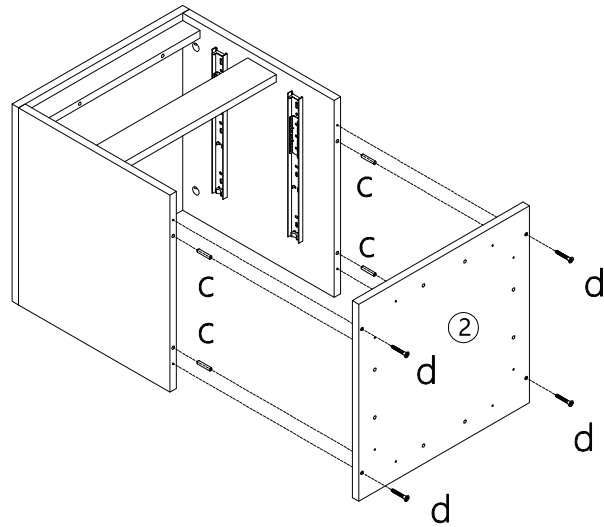
### Step 2:



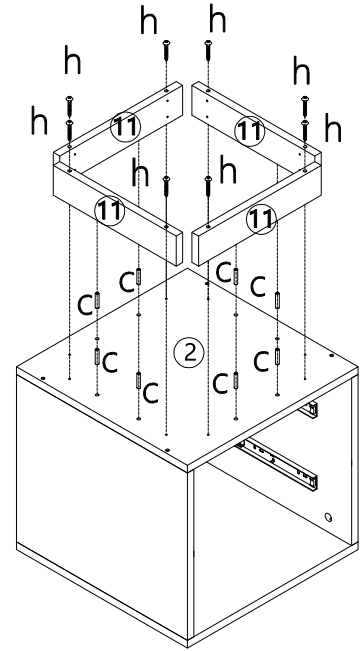
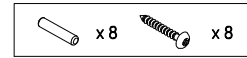
### Step 3:



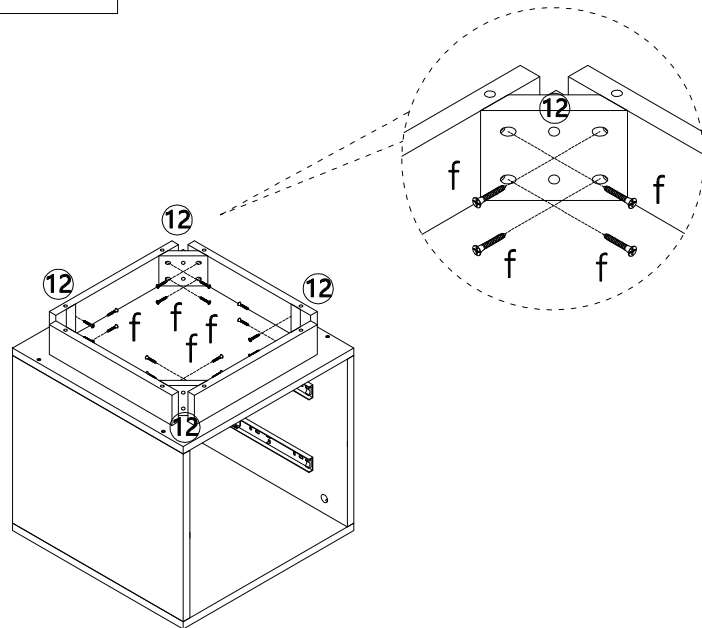
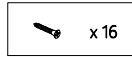
**Step 4:**



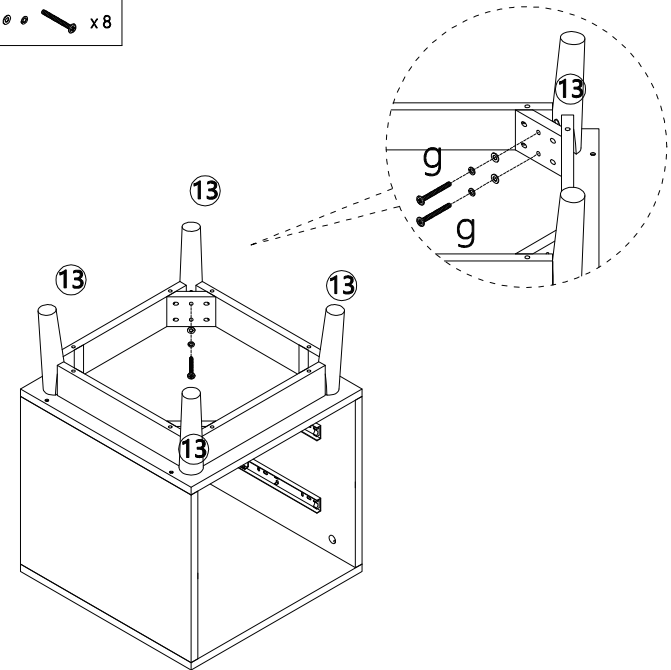
**Step 5:**



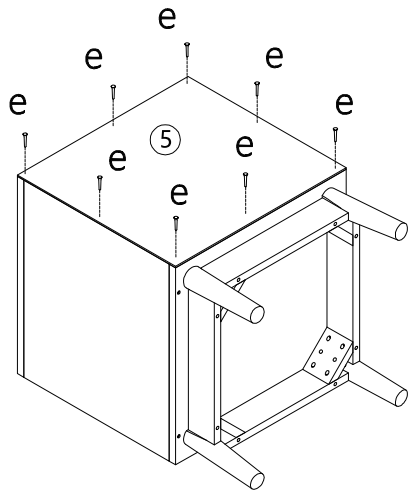
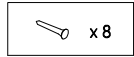
**Step 6:**



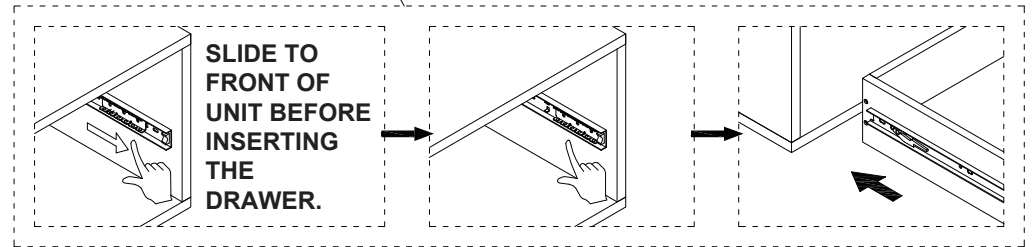
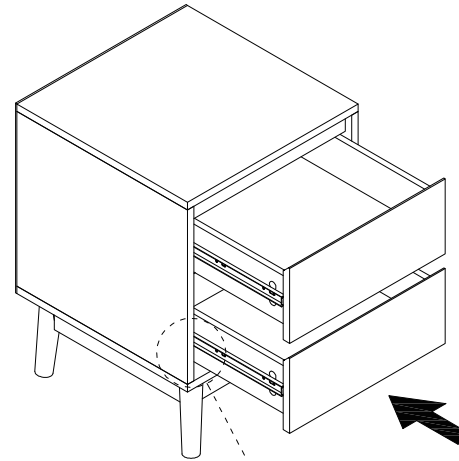
**Step 7:**



**Step 8:**



**Step 9:**



**Step 10:**

