

Assembly Instructions







43118670 OFFICE CHAIR

CARE INSTRUCTIONS: WIPE CLEAN WITH SOFT DAMP CLOTH. NEVER USE SCOURERS, ABRASIVES OR CHEMICAL SOLVENTS. KEEP AWAY FROM MOISTURE AND DIRECT SUNLIGHT. STORE IN A DRY PLACE FOR INDOOR USE ONLY.

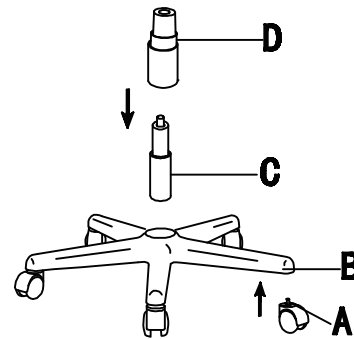
WARNING: DO NOT STAND ON THIS CHAIR. DO NOT USE THIS CHAIR AS A STEP LADDER. DO NOT SIT ON THE ARMREST. USE THIS PRODUCT FOR SEATING ONE PERSON AT A TIME. DO NOT USE THIS CHAIR UNLESS ALL BOLTS, SCREWS AND KNOBS ARE FIRMLY SECURE. AT LEAST EVERY 4 MONTHS, CHECK ALL BOLTS, SCREWS AND KNOBS TO BE SURE THEY ARE TIGHT. IF PARTS ARE MISSING, BROKEN, DAMAGED OR WORN, STOP USING THIS PRODUCT UNTIL REPAIRS ARE MADE USING FACTORY AUTHORIZED PARTS. FAILURE TO FOLLOW THESE WARNINGS COULD RESULT IN SERIOUS INJURY.

MAXIMUM SAFE LOAD: 100KG.

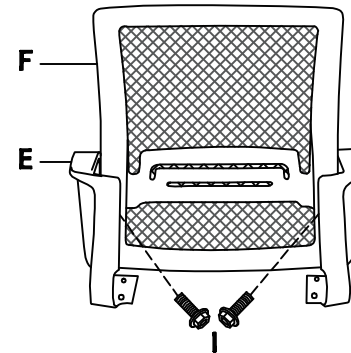
Hardware list

	A		5PCS
	I	M6X25mm	2PCS
	J	M6X35mm	4PCS
	K	Ø6XØ18X1mm	4PCS
	L	M6X20mm	4PCS
	M	M5	1PC

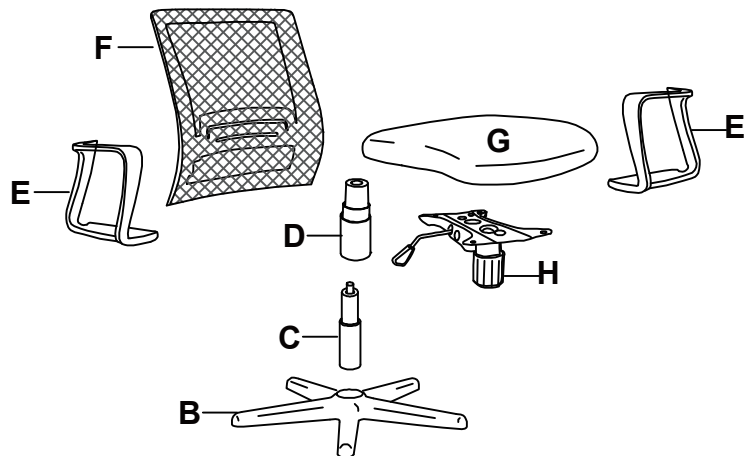
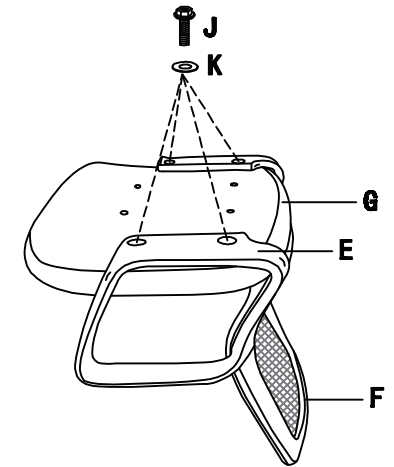
STEP 1



STEP 2

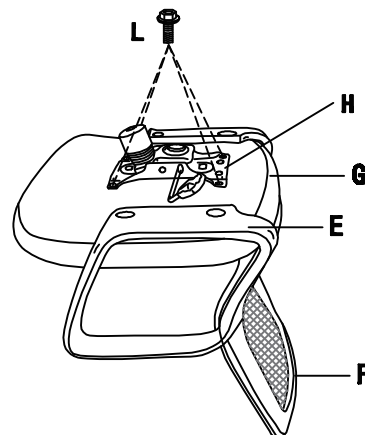


STEP 3

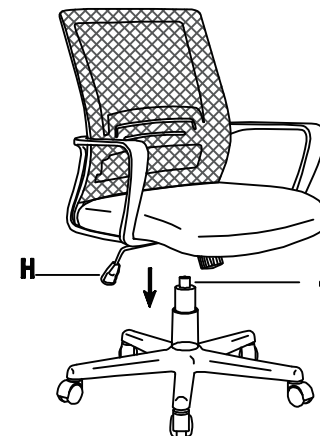


Do not tighten the screws fully during assembly.
Fully tighten screws after the final assembly steps

STEP 4



STEP 5



STEP 6

