

Assembly Instructions

Hamptons Tall Cabinet

CARE INSTRUCTIONS:


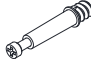









For indoor and domestic use. Keep away from water and direct sunlight. Wipe clean with a soft dry cloth. Check and tighten all parts regularly.







WARNING:

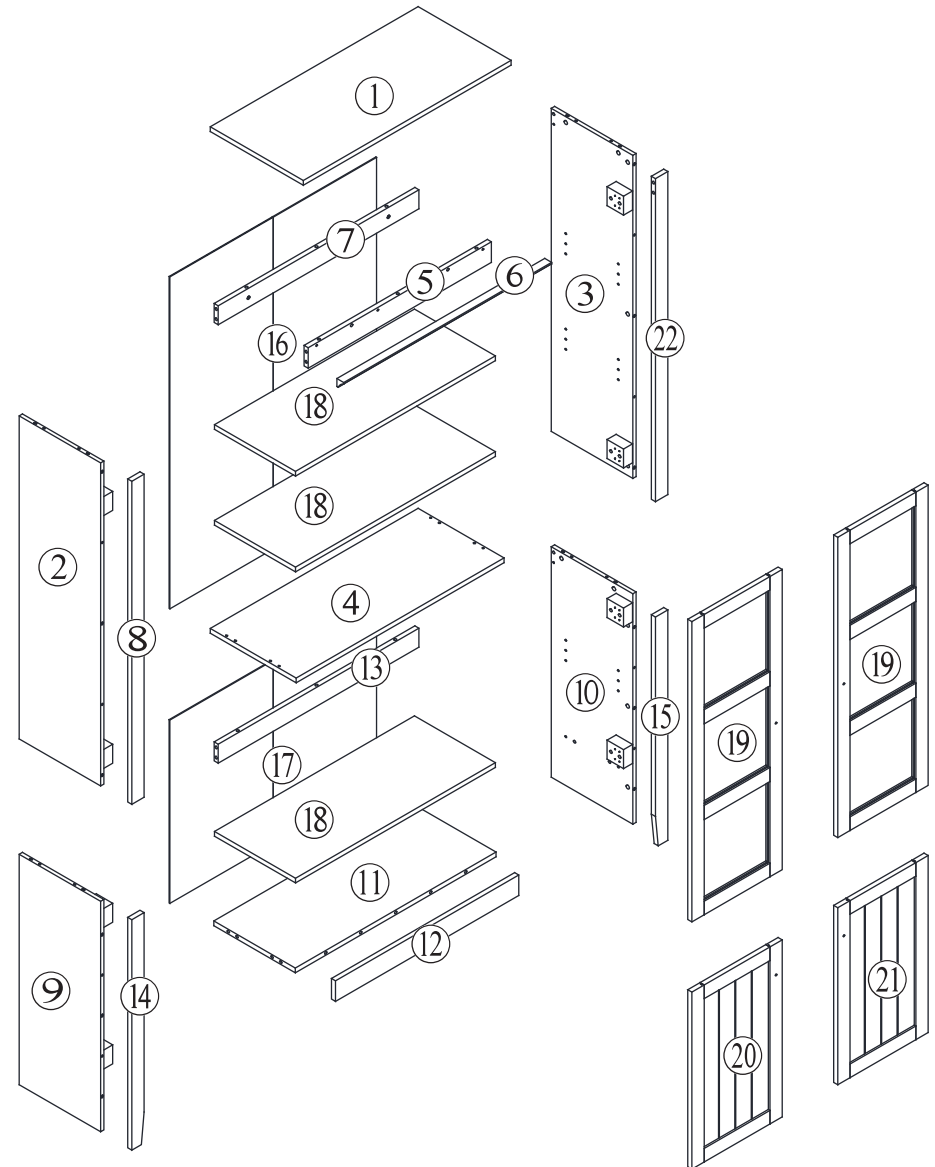
Do not stand or sit on the unit. Do not lean on the product. Do not drag the product. Use only on a flat surface. Do not use until all screws, bolts and knobs are firmly secured. This product contains small parts and sharp points, keep away from children and babies. Adult assembly required. Failure to follow these warnings could result in serious injury.

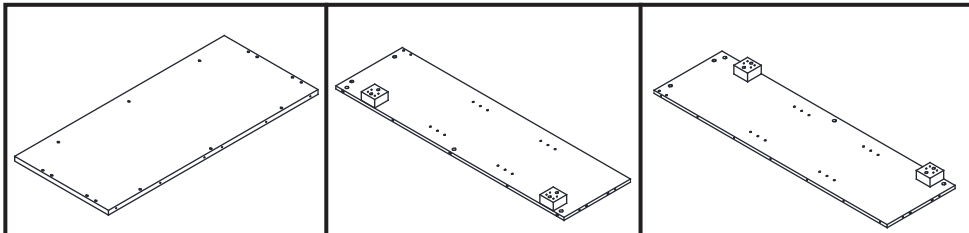
MAXIMUM SAFE LOAD: 10kg per layer, 15kg for middle shelf, 14kg for bottom panel.

Hardware list

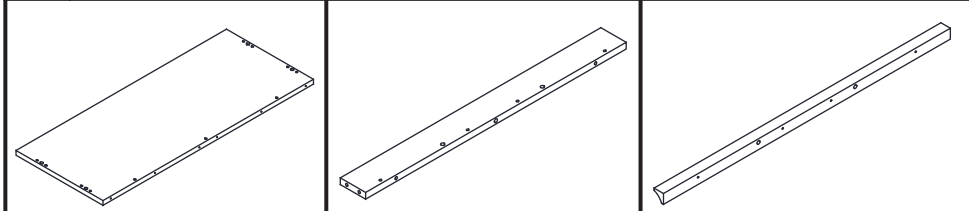
	A		2 PCS
	B		12 PCS
	C		12 PCS
	D		20 PCS
	E		20 PCS
	F	Ø7.8 x 20mm	2 PCS
	G	Ø5.8 x 30mm	42 PCS
	H	Ø4 x 25mm	4 PCS
	I		12 PCS
	J	Ø4 x 50mm	2 PCS
	K		2 PCS

	L		8 PCS
	M	Ø4 x 14mm	48 PCS
	N		4 PCS
	O	M4 x 30mm	4 PCS
	P	Ø3 x 12mm	48 PCS
	Q	Ø4 x 35mm	4 PCS

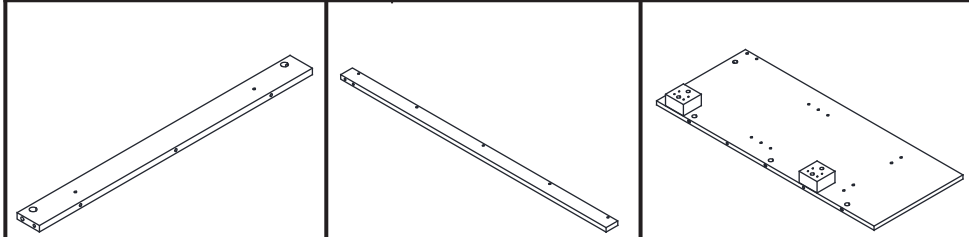




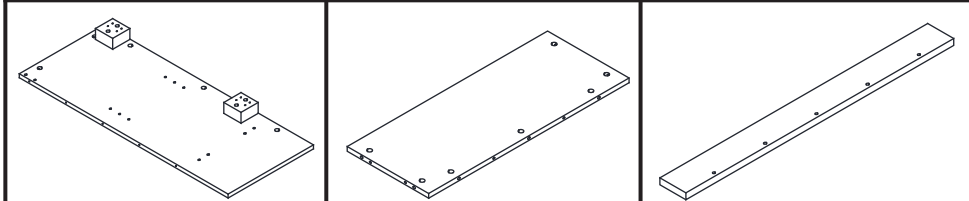
① 1PC ② 1PC ③ 1PC



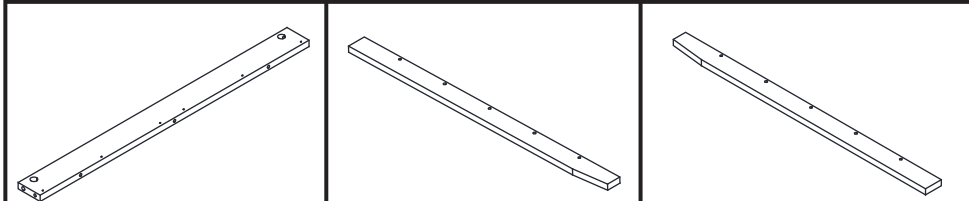
④ 1PC ⑤ 1PC ⑥ 1PC



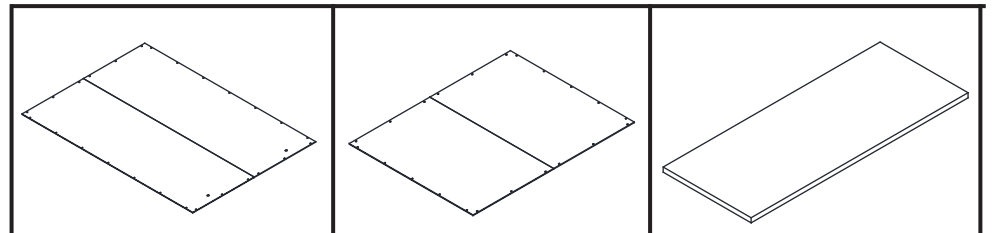
⑦ 1PC ⑧ 1PC ⑨ 1PC



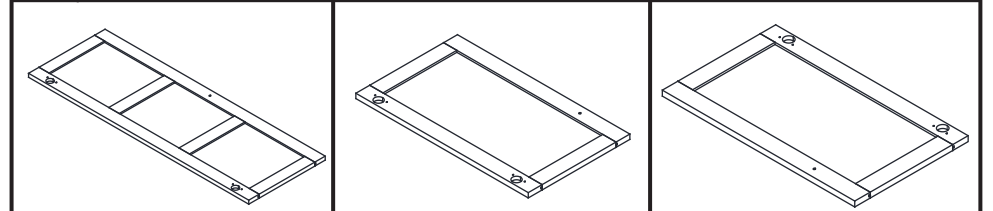
⑩ 1PC ⑪ 1PC ⑫ 1PC



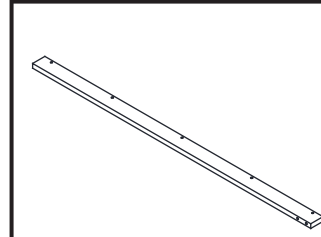
⑬ 1PC ⑭ 1PC ⑮ 1PC



⑯ 1PC ⑰ 1PC ⑱ 3PC



⑲ 2PC ⑳ 1PC ㉑ 1PC

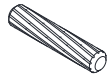


㉒ 1PC

STEP 1



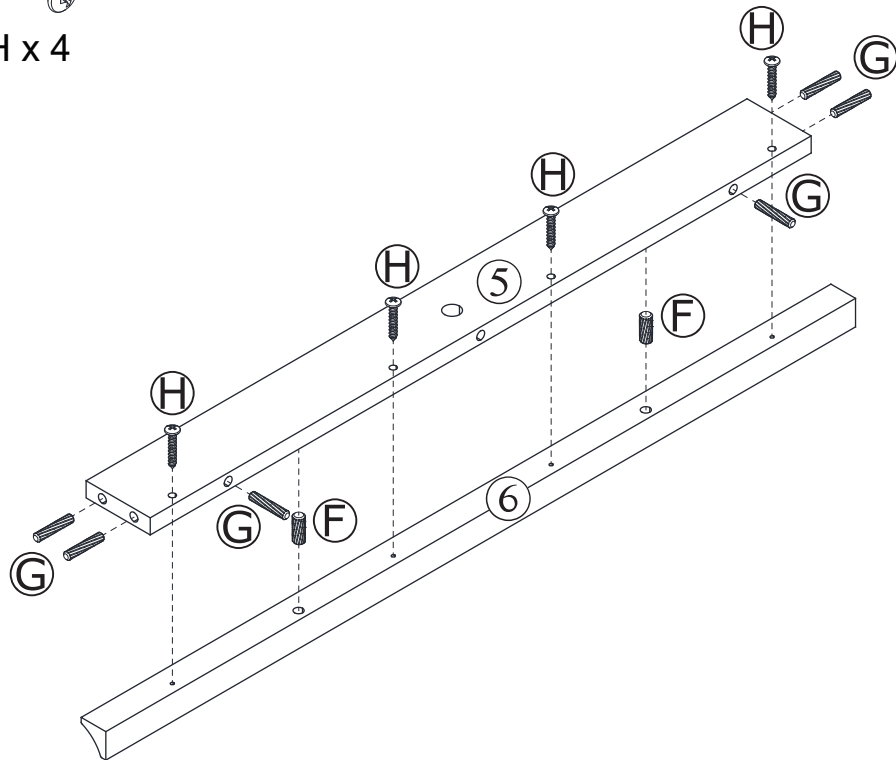
F x 2



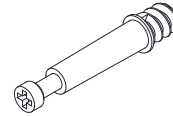
G x 6



H x 4



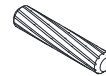
STEP 2



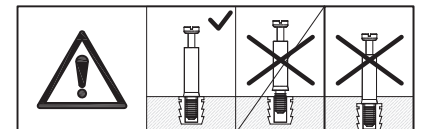
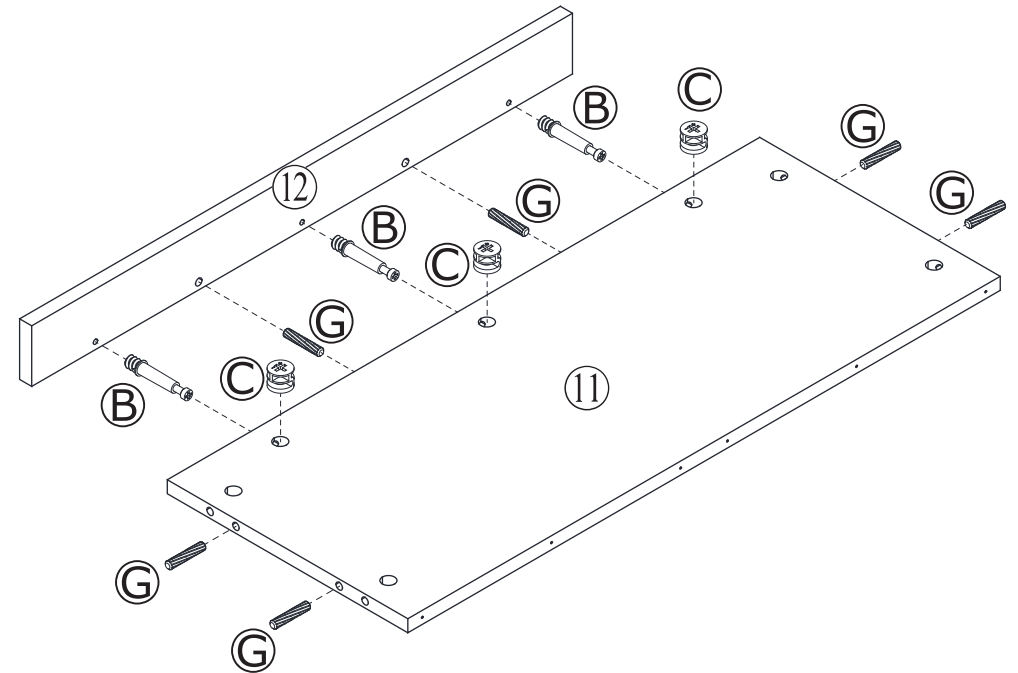
B x 3



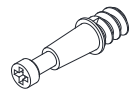
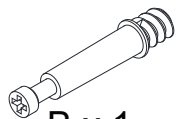
C x 3



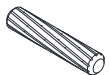
G x 6



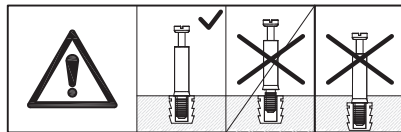
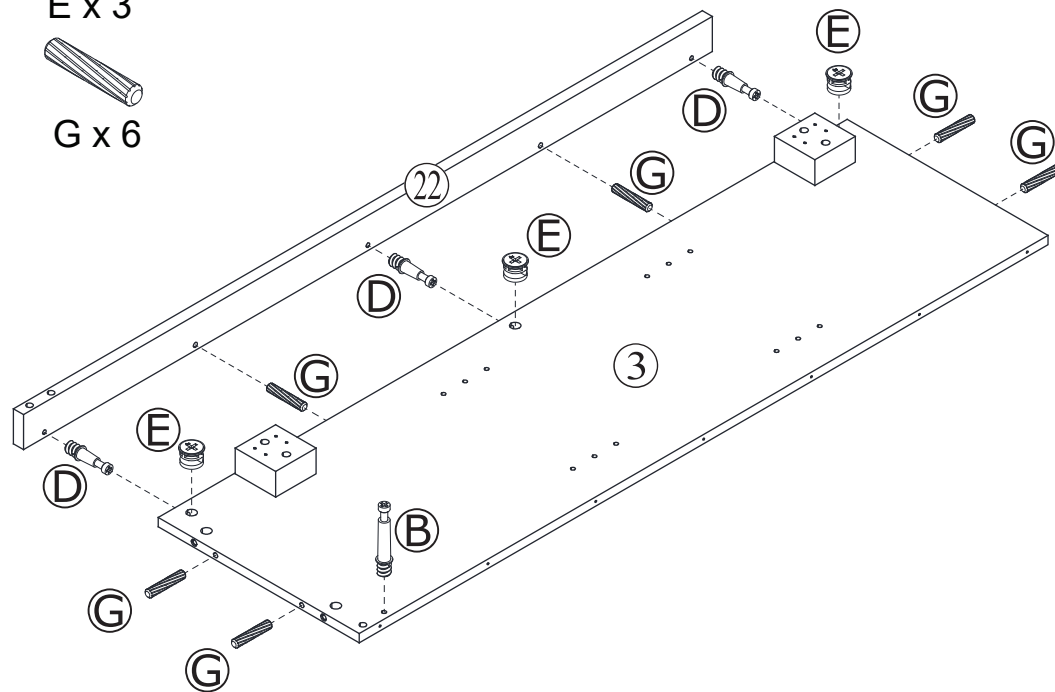
STEP 3



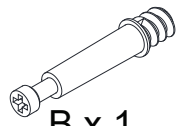
E x 3



G x 6

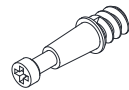


STEP 4



B x 1

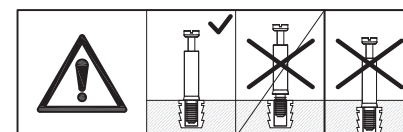
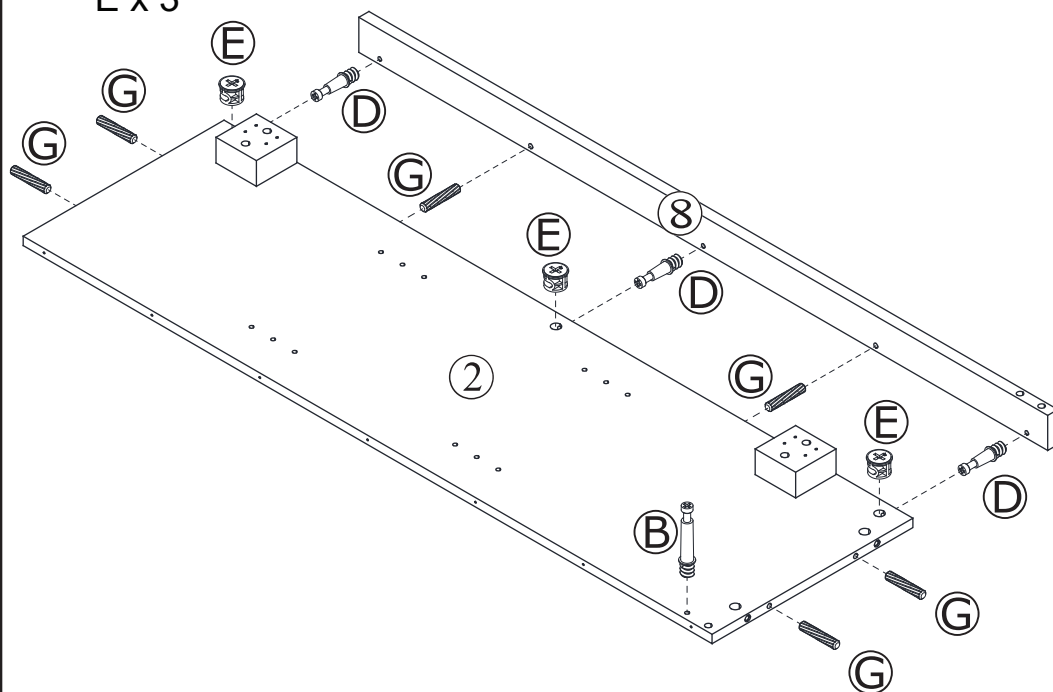
G x 6



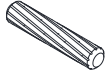
D x 3



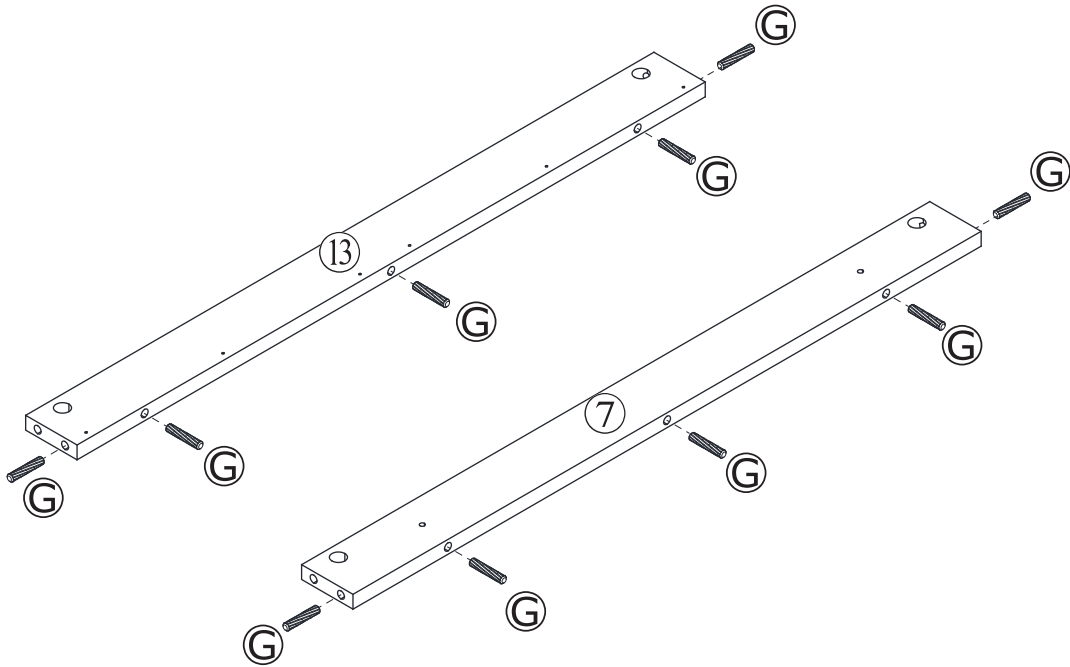
E x 3



STEP 5



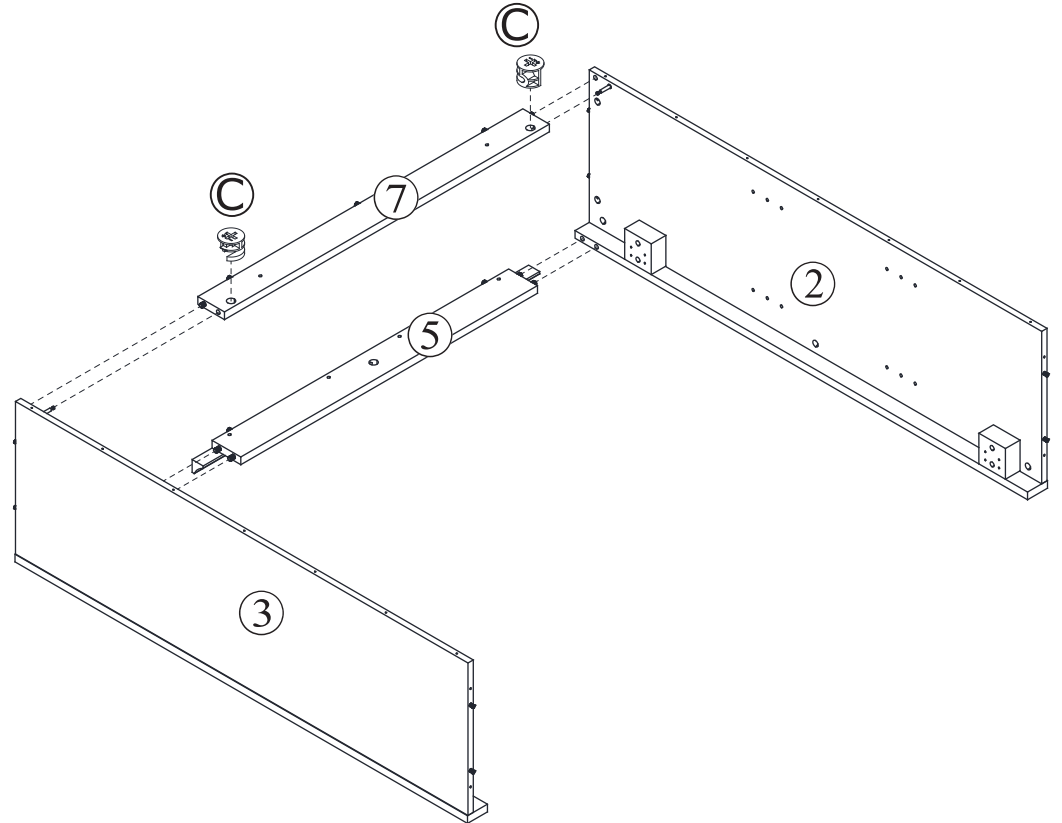
G x 10



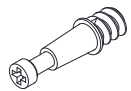
STEP 6



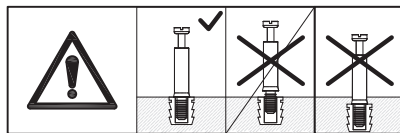
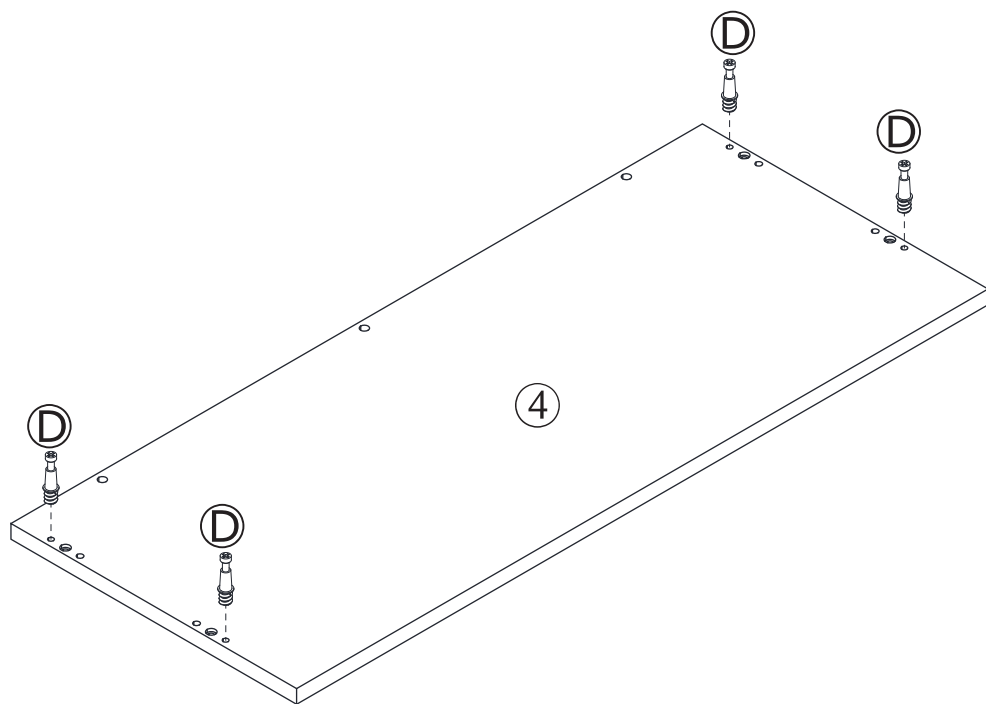
C x 2



STEP 7



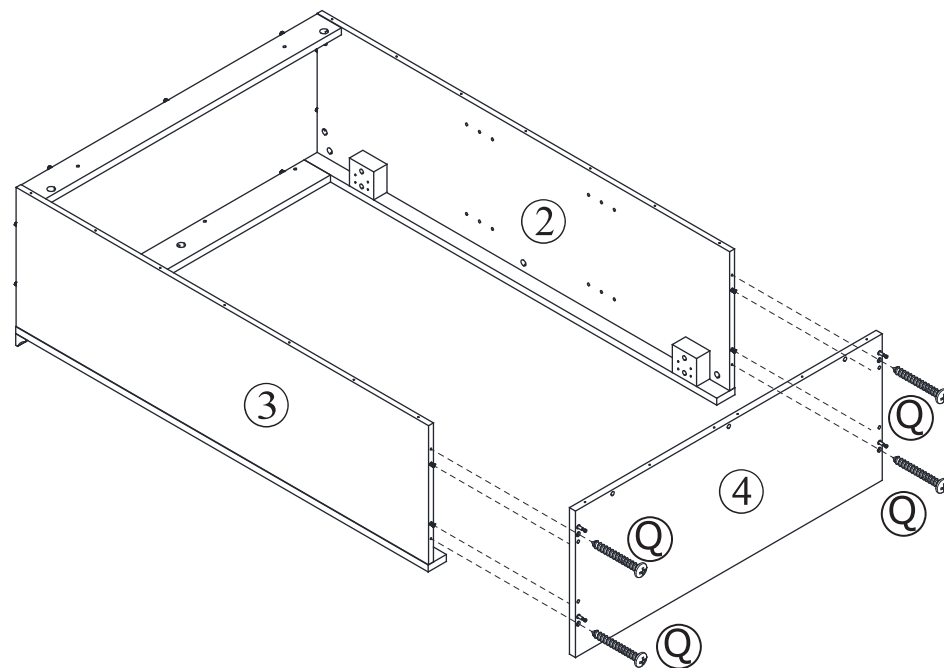
D x 4



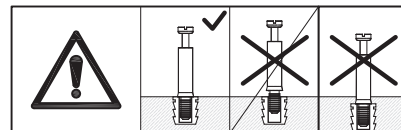
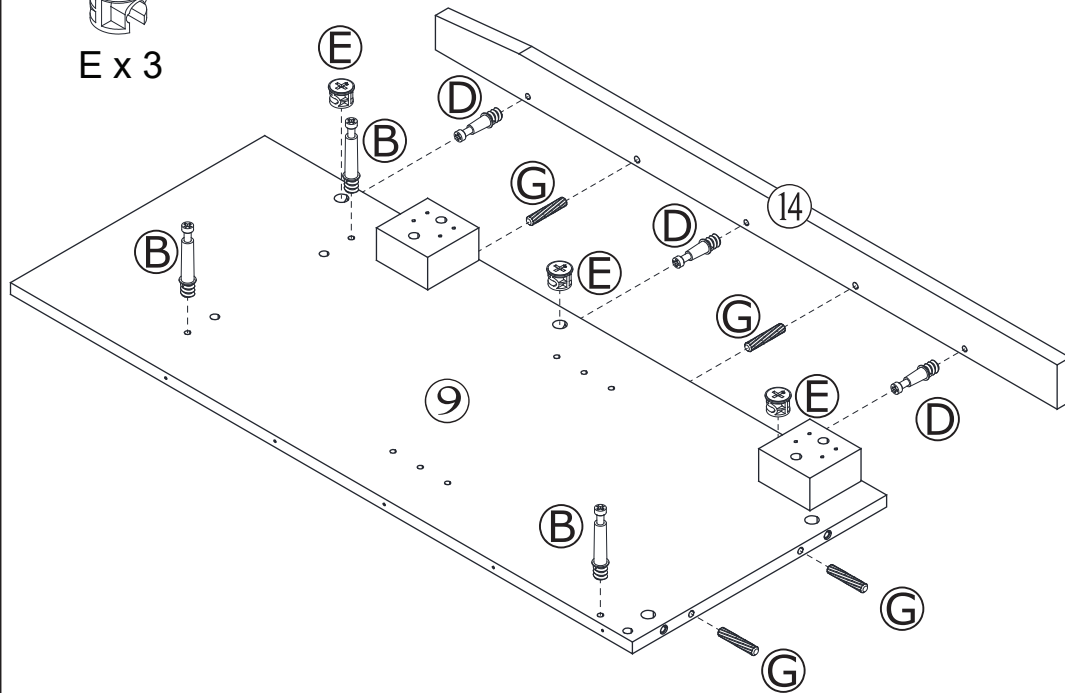
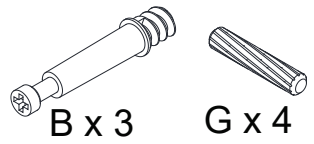
STEP 8



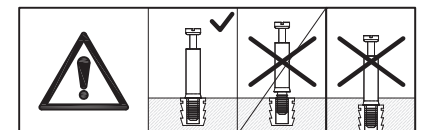
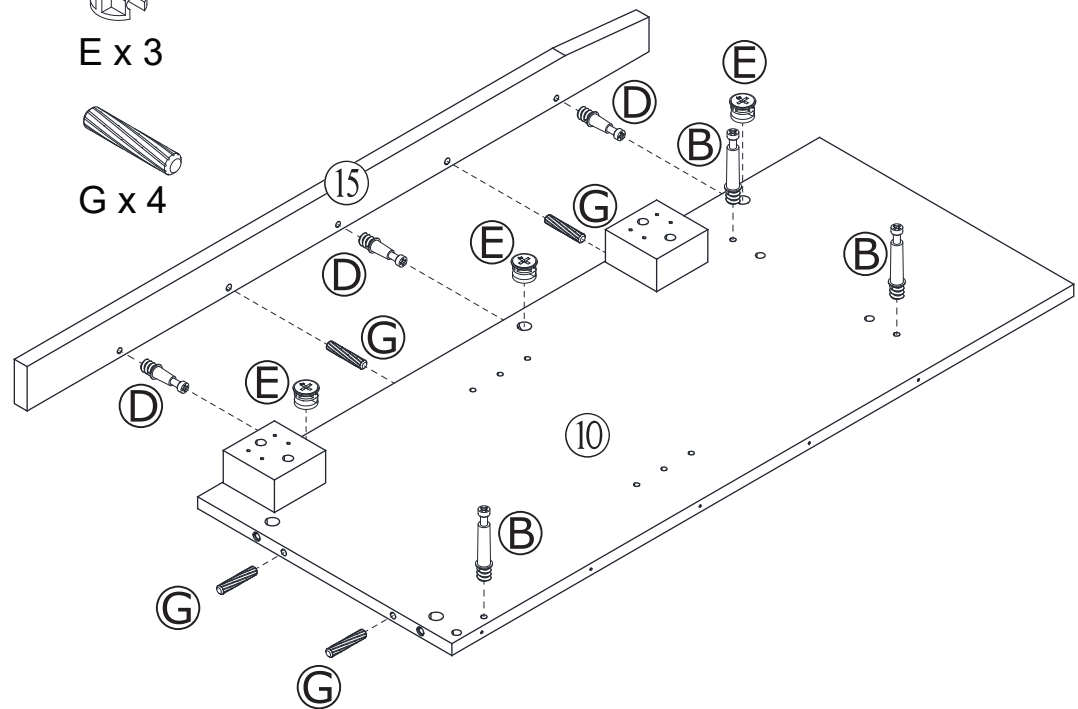
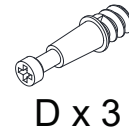
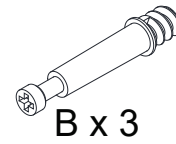
Q x 4



STEP 9



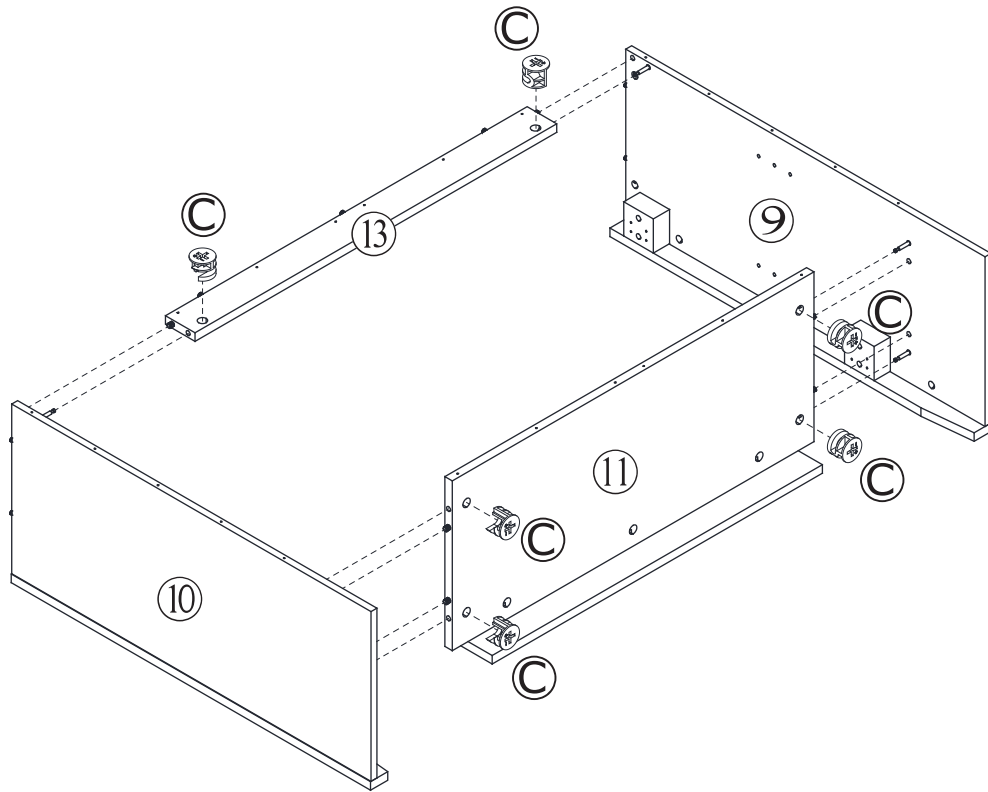
STEP 10



STEP 11



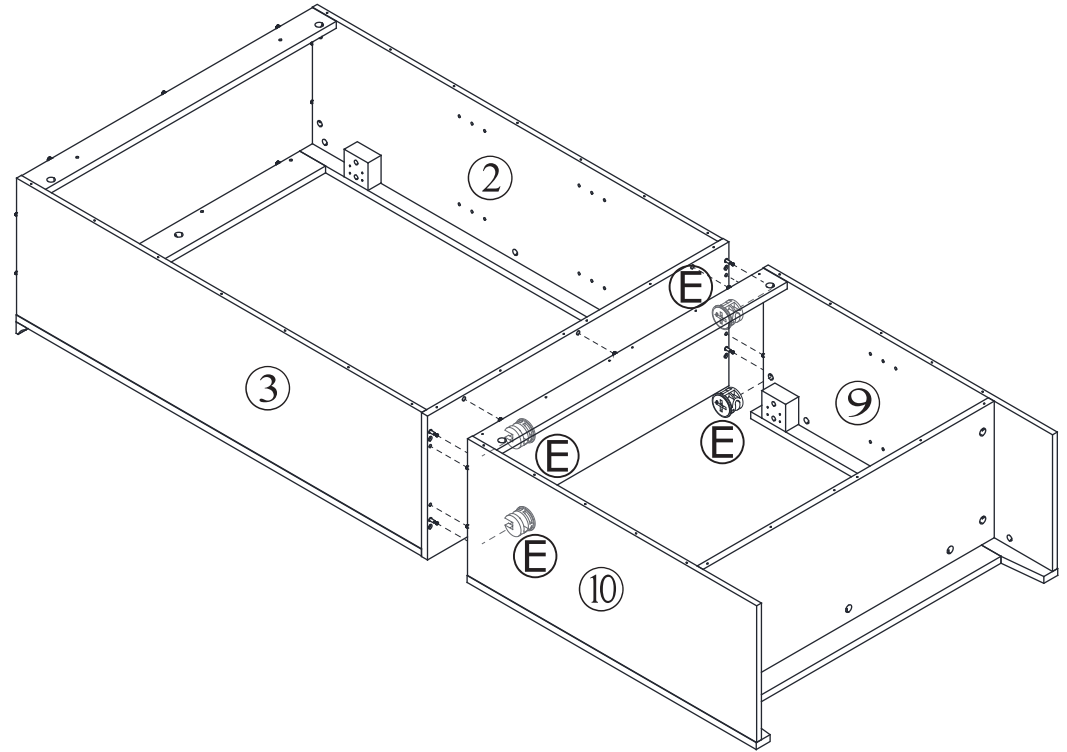
C x 6



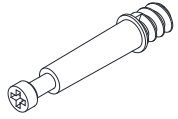
STEP 12



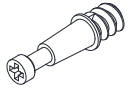
E x 4



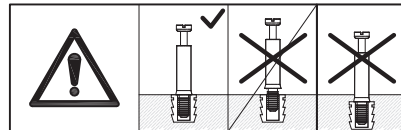
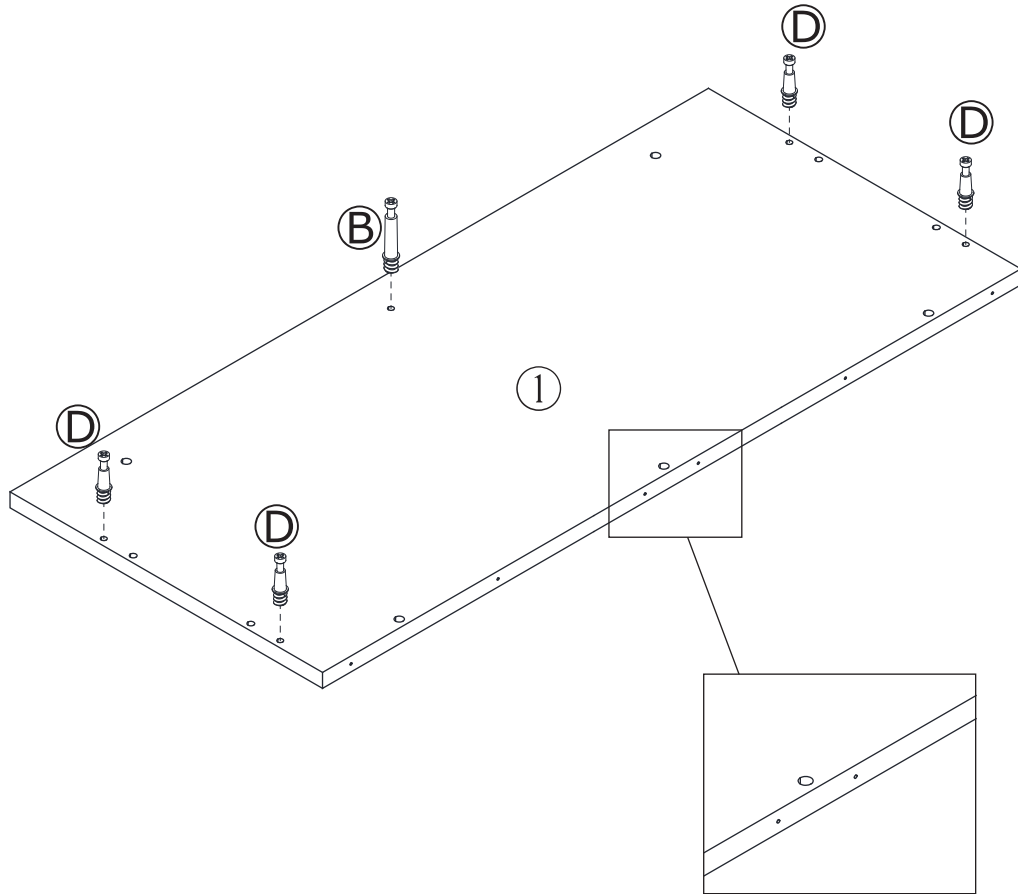
STEP 13



B x 1



D x 4



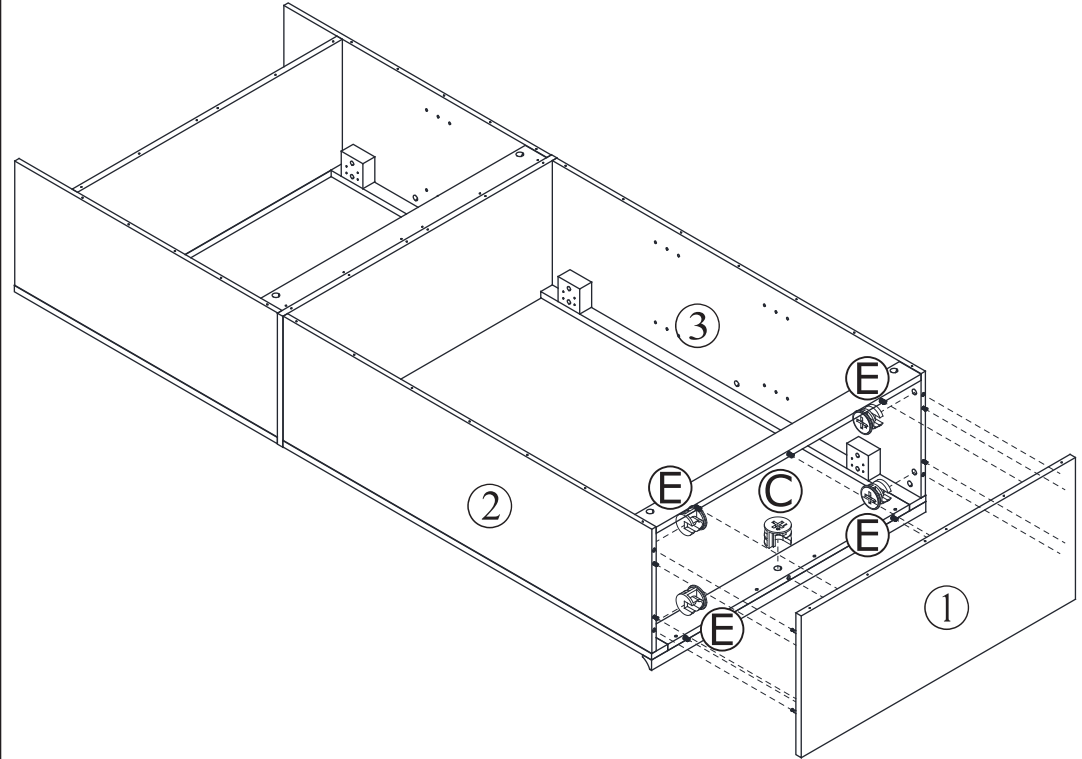
STEP 14



C x 1



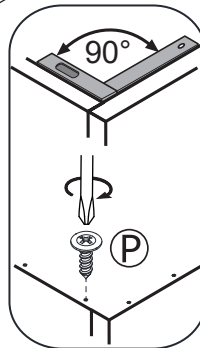
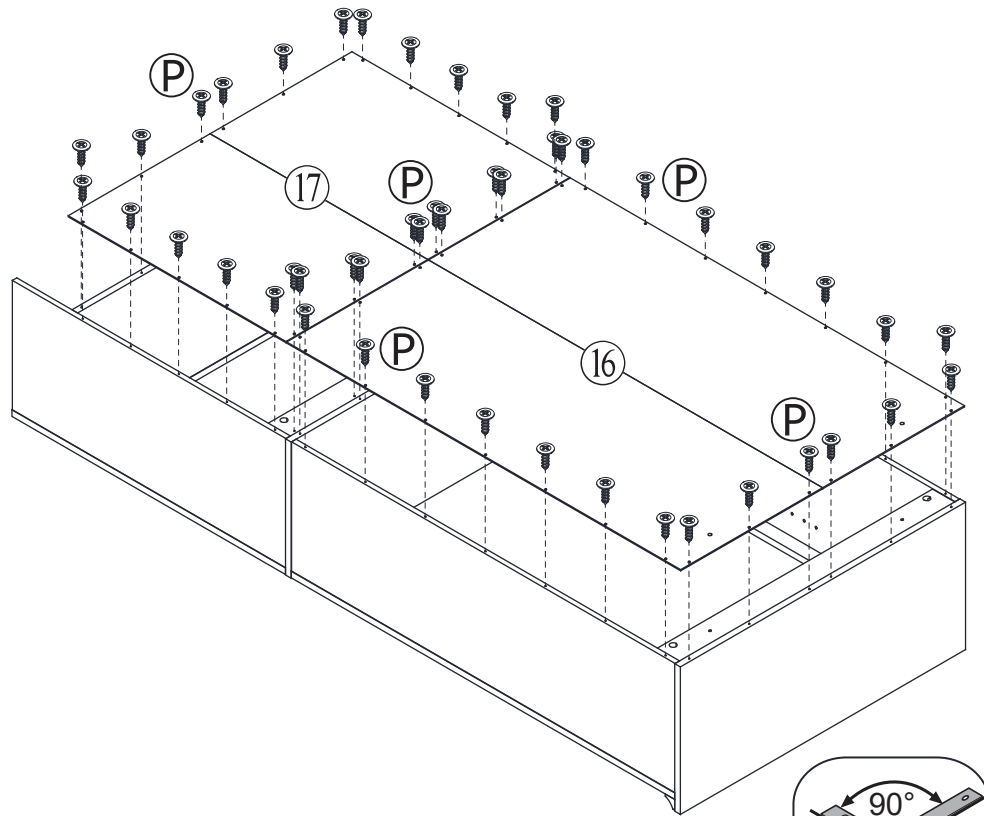
E x 4



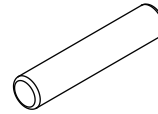
STEP 15



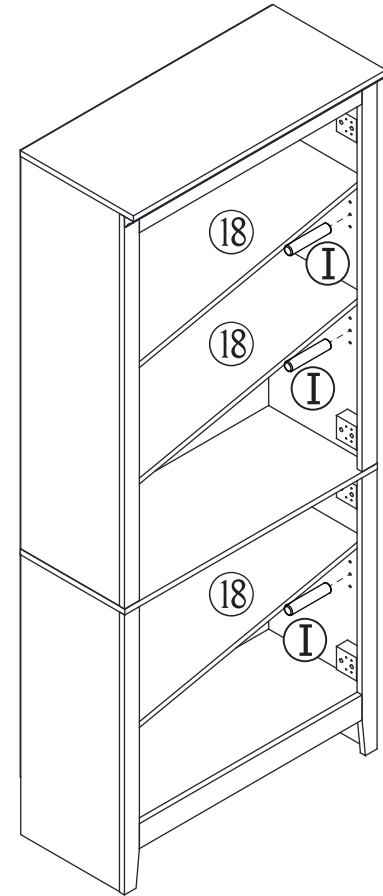
P x 48



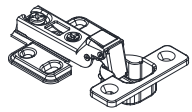
STEP 16



I x 12



STEP 17 **x 2**



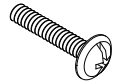
L x 4



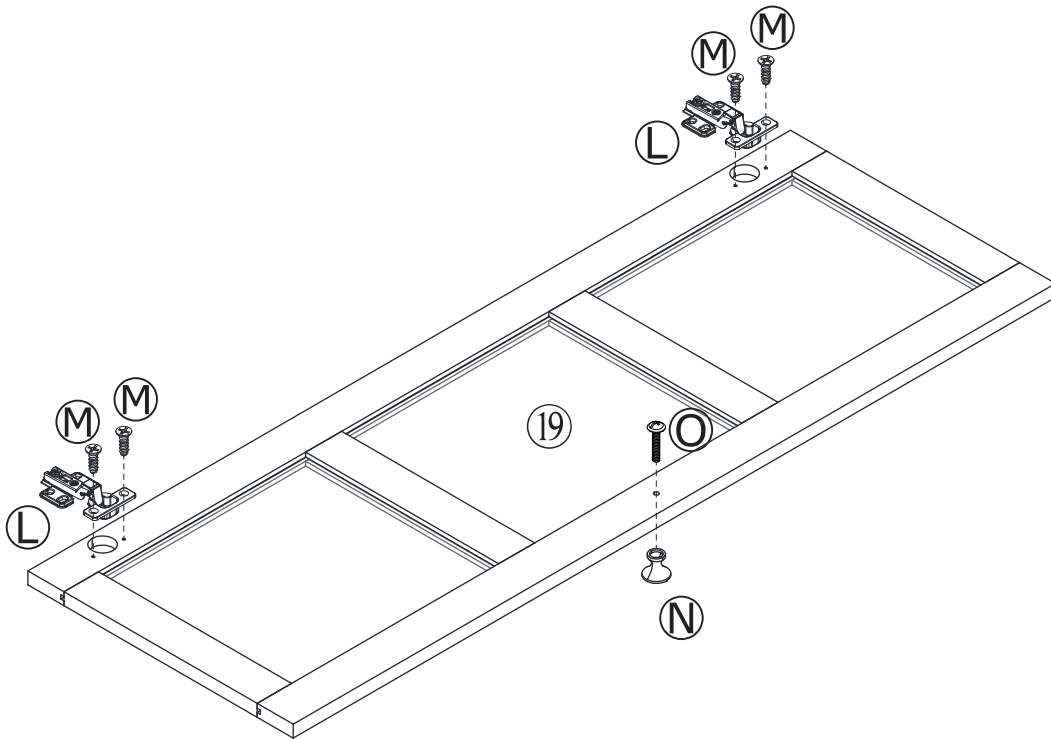
N x 2



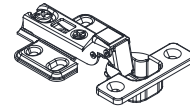
M x 8



O x 2



STEP 18



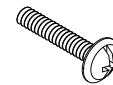
L x 2



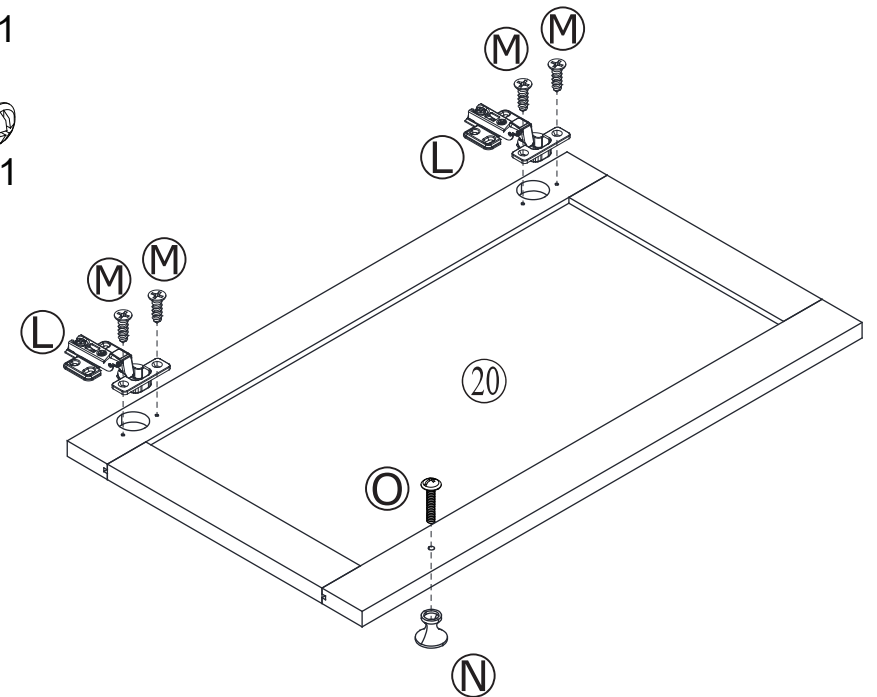
M x 4



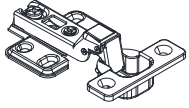
N x 1



O x 1



STEP 19



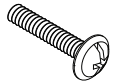
L x 2



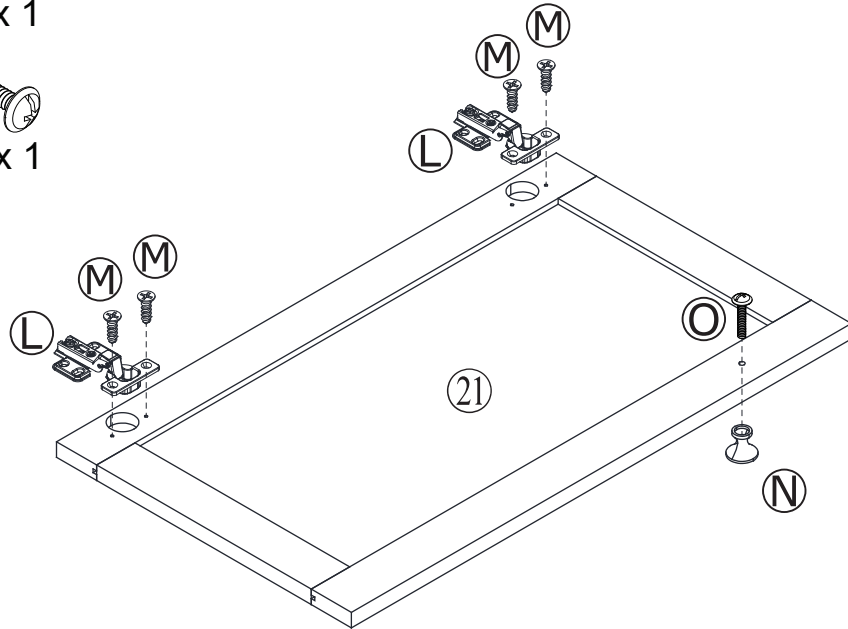
M x 4



N x 1



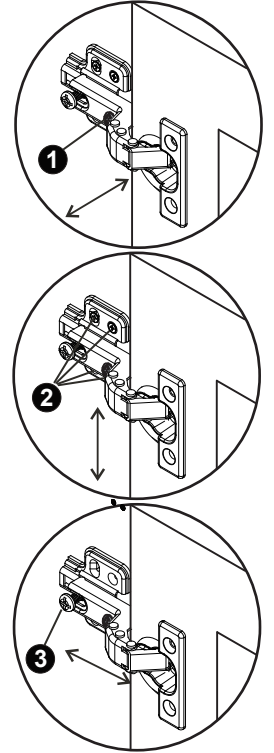
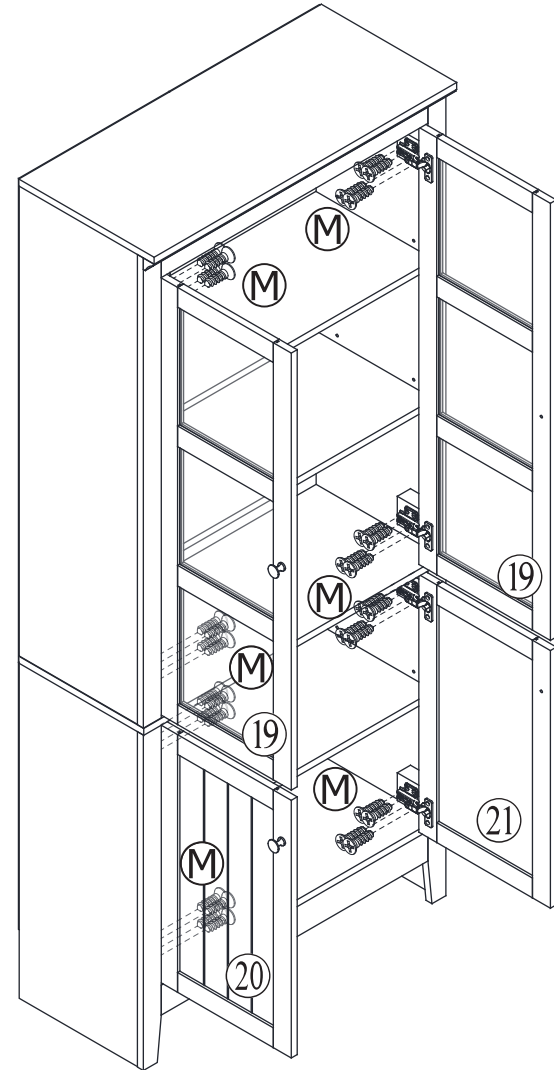
O x 1



STEP 20



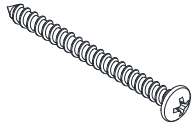
M x 32



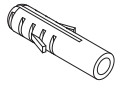
STEP 21



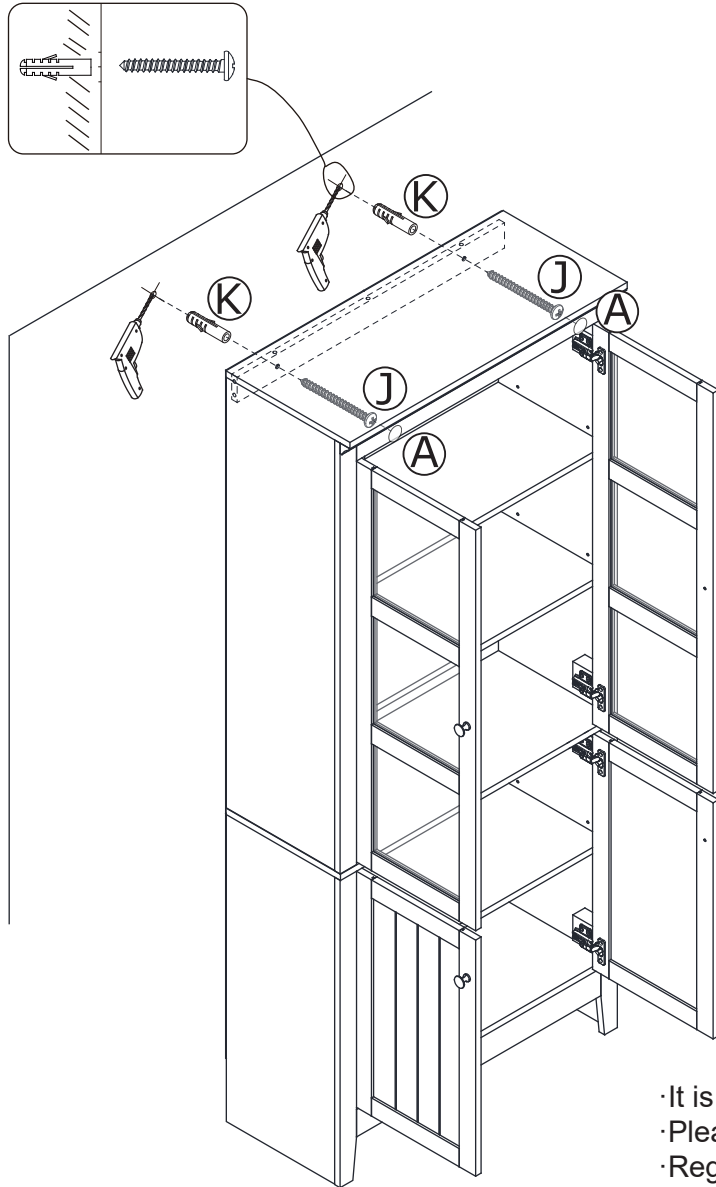
A x 2



J x 2



K x 2



- It is strongly recommended that this product is permanently fixed to the wall.
- Please seek professional advice if you are in doubt of what fixing device to use.
- Regularly check that anchors are securely maintained.
- Use safety drawer locks to prevent children climbing
- Stability of tall items may be affected by thick pile carpet or uneven floors
- Do not place unanchored televisions on furniture

CAUTION: for your safety when attaching the anchor fixings, please note the following:
Check any electrical wires or plumbing inside the wall before drilling any holes
(if you are unsure please seek professional advice from a qualified tradesperson).