

Care & Maintenance

- › All assembly fittings are to be tightened properly. Inspect regularly and re-tighten as necessary.
- › Surface washable only. Wipe with a soft damp cloth. Dry immediately.
- › Ensure the clothes rack is completely dry before use or storage.
- › Always store in a clean and dry place. Avoid direct heat and sunlight.

KEYCODE: 43-119-974

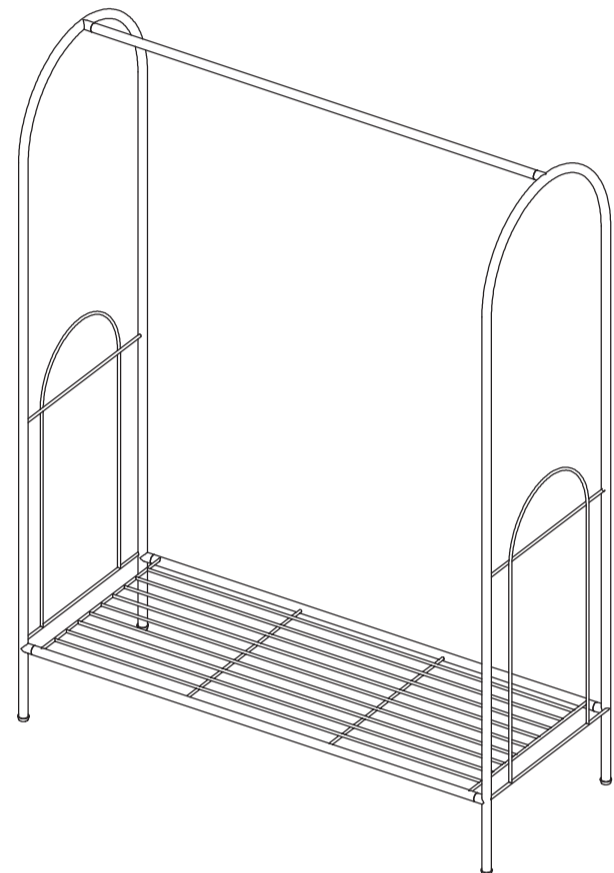
MADE IN VIETNAM

FOR AU / NZ: IMPORTED FOR KMART STORES IN AUSTRALIA AND NEW ZEALAND.

KMART CUSTOMER SERVICE
 AU: 1800 124 125 NZ: 0800 945 995

anko

Faux Rattan Nursery Clothes Rack Instruction Manual



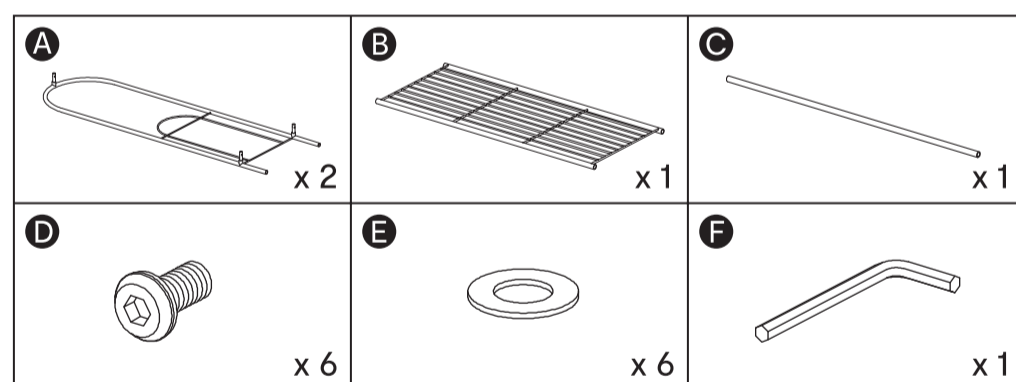
The illustrations shown in this instruction manual are generic. The manufacturer reserves the right to change any specification or feature without further notice.

IMPORTANT! PLEASE READ CAREFULLY BEFORE USE AND KEEP FOR FUTURE REFERENCE.

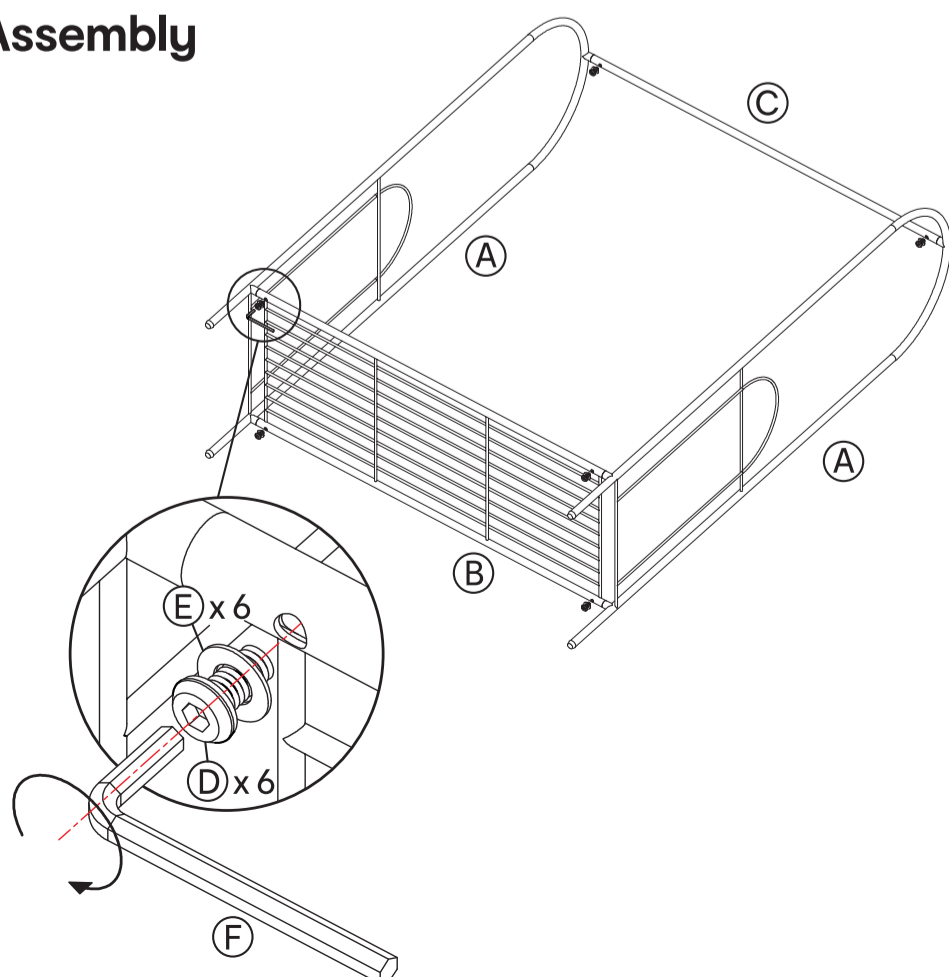
INNER FRONT COVER
14.85cm

INNER BACK COVER
14.85cm

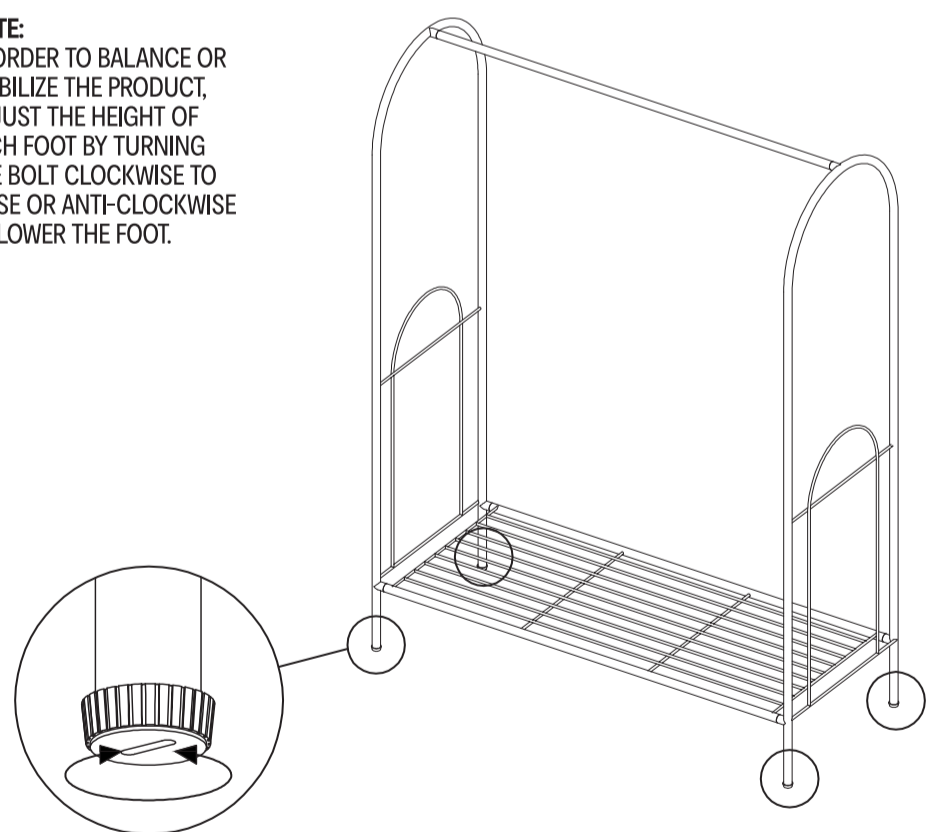
Parts List



Assembly



NOTE:
 IN ORDER TO BALANCE OR STABILIZE THE PRODUCT, ADJUST THE HEIGHT OF EACH FOOT BY TURNING THE BOLT CLOCKWISE TO RAISE OR ANTI-CLOCKWISE TO LOWER THE FOOT.



WARNING!

- › To ensure your child's safety, this product must be assembled by an adult.
- › Please keep out of child's reach in unassembled condition.
- › Read and follow all the instructions carefully and ensure the final assembly is correct.
- › Take care when unpacking and during assembly.
- › Dispose of all packing materials carefully after assembly.
- › Regularly check to ensure all fittings remain tight.
- › Inspect the product before each use. Never use this product if there are any loose or missing fasteners or if it is worn or damaged. Check frequently.
- › Any additional or replacement parts should only be obtained from the manufacturer or distributor.
- › Never substitute parts.
- › This item is not a toy. Do not allow children to play with it.