

尺寸: 80x160mm
 材料: 80g书写纸
 颜色: 双面单色印刷
 工艺: 不用折
 备注: 裁切线和折叠线不要印刷出来
 公差: B

正面

背面

80mm

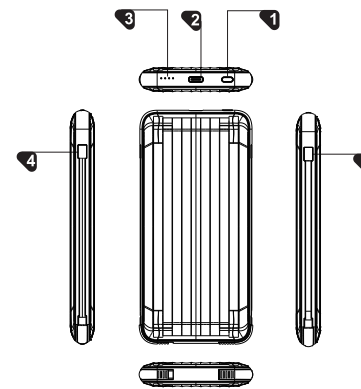
160mm

anko Portable Charge

Thank you for choosing the Portable Charge. For correct operation and maintenance of this appliance, please read this User Manual carefully. Please pay particular attention to the Safety section.

1. Production Information

- 1 Power Button
- 2 USB-C Input
- 3 LED Light
- 4 Type-C Cable
- 5 Lightning Cable



2. Specification

| | |
|---------------|--|
| Capacity | 3.7V=10000mAh, 37Wh |
| Battery type | Litium ion polymer battery |
| Input Port | USB-C, USB-C Cable |
| Rated Input | USB-C Cable: 5V=3A; USB-C Port: 5V=2A |
| Output Port | USB-C Cable, Lightning Cable |
| Rated Output | USB-C Cable: 5V=3A; Lightning Cable: 5V=2.4A |
| Total Output | Total maximum output: 15W |
| Charging Time | Approx. 5 hours |

3. Important Safety Information

Before using the unit please read the manual carefully.
 Keep away from any water, liquid or wet areas.
 This product shall not be exposed to dripping or splashing and that no objects filled with liquids, such as vases, shall be placed on the apparatus.
 Use in dry locations only.
 Keep this product away from naked flames such as candles.
 This product should be only operated from the type of power source indicated on the marking label.
 Keep away from temperature over 45°C.
 Make sure the product has plenty of ventilation during charging.
 Do not press the button too hard as it could damage the product.
 Do not use a wet cloth on the product, Always use a dry cloth to clean this product and keep it free from dust.
 Do not use chemicals on this product.
 Never try to repair this product yourself, take it to an approved technician.
 Trying to remove panels or repairing the unit yourself could lead to electronic shock.
 When the unit is not in use, make sure it is correctly turned off and stored in a cool dry place.
 Do not insert foreign object into the product.
 Adult supervision is recommended with children using this product.
 Avoid dropping or standing on the product, as harsh impacts could damage the product.
 Ensure children and infants do not play with plastic bags or any packaging materials.
 Do not place the product in direct sunlight, heat or the under the windshield.
 Do not charge the Portable Charger and charge your device simultaneously.

12 Month Warranty

Thank you for your purchase from Kmart.

Kmart Australia Ltd warrants your new product to be free from defects in materials and workmanship for the period stated above, from the date of purchase, provided that the product is used in accordance with accompanying recommendations or instructions where provided. This warranty is in addition to your rights under the Australian Consumer Law.

Kmart will provide you with your choice of a refund, repair or exchange (where possible) for this product if it becomes defective within the warranty period. Kmart will bear the reasonable expense of claiming the warranty. This warranty will no longer apply where the defect is a result of alteration, accident, misuse, abuse or neglect.

Please retain your receipt as proof of purchase and contact our Customer Service Centre on 1800 124 125 (Australia) or 0800 945 995 (New Zealand) or alternatively, via Customer Help at www.kmart.com.au for any difficulties with your product. Warranty claims and claims for expense incurred in returning this product can be addressed to our Customer Service Centre at 690 Springvale Rd, Mulgrave Vic 3170.

Our goods come with guarantees that cannot be excluded under the Australian Consumer Law. You are entitled to a replacement or refund for a major failure and compensation for any other reasonably foreseeable loss or damage. You are also entitled to have the goods repaired or replaced if the goods fail to be of acceptable quality and the failure does not amount to a major failure.

For New Zealand customers, this warranty is in addition to statutory rights observed under New Zealand legislation.

Trusda 深圳市创世达实业有限公司

| | 公差表 | | | |
|-------|-------|-------|-------|-------|
| | A | B | C | D |
| 0-5 | ±0.07 | ±0.10 | ±0.15 | ±0.20 |
| 5-20 | ±0.10 | ±0.15 | ±0.20 | ±0.30 |
| 20-50 | ±0.15 | ±0.20 | ±0.30 | ±0.40 |
| 50- | ±0.20 | ±0.30 | ±0.40 | ±0.60 |

| | | | | | |
|------|------|------|---------------|------|------------|
| 产品编号 | LC2i | 零件名称 | 说明书 | 零件料号 | |
| 产品名称 | 移动电源 | 图号 | LC2i-SMS3926A | 版本 | A |
| 材料 | | 处理工艺 | | 单位 | mm |
| 比例 | | 客户编号 | | 日期 | 2021-10-23 |
| 制图: | | 审批: | | 批准: | |

| 标记 | 修改前 | 修改后 | 修改日期 |
|----|-----|-----|------|
| ① | | | |
| ② | | | |

1

2

3

4

T-RD-CAD-18A