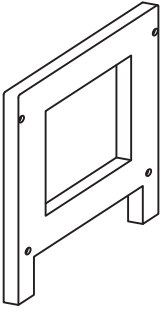


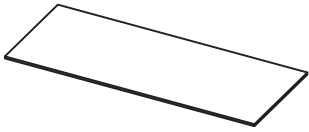
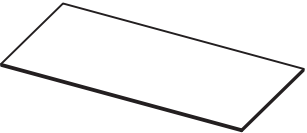
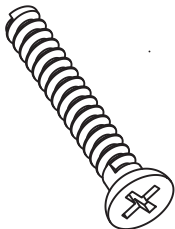
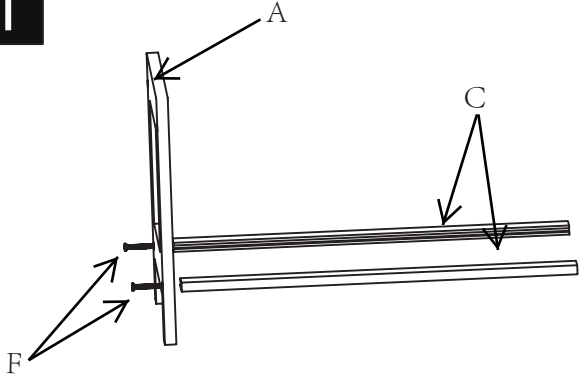
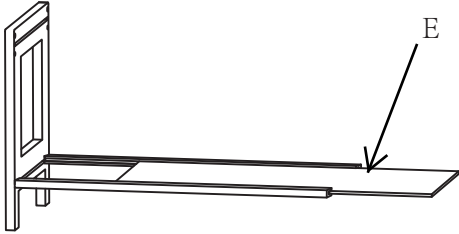
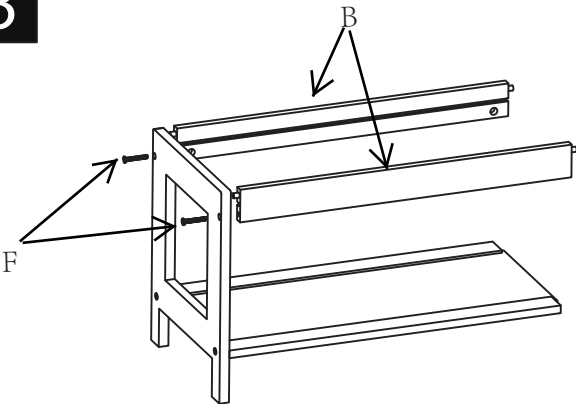
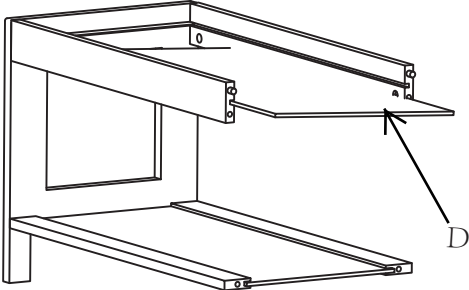


Assembly Instructions

<p>A</p>  <p>x2</p>	<p>B</p>  <p>x2</p>	<p>C</p>  <p>x2</p>	<p>D</p>  <p>35.2x16.7cmx1</p>
<p>E</p>  <p>35.2*13.7cmx1</p>	<p>F</p>  <p>28mmx8</p>		
<p>1</p> 	<p>2</p> 		
<p>3</p> 	<p>4</p> 		

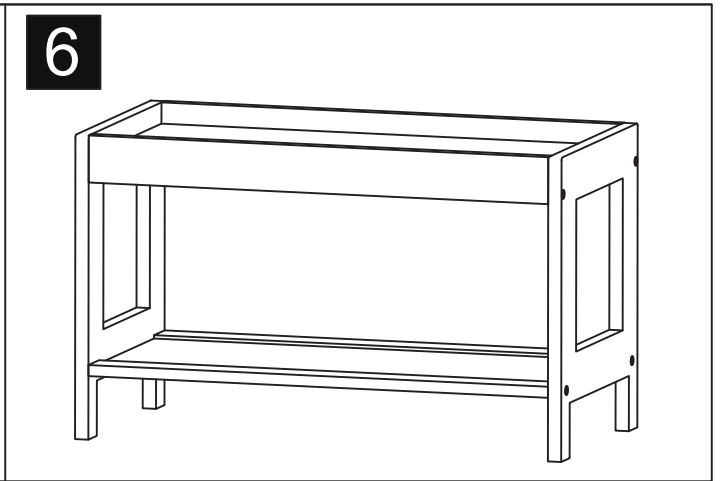
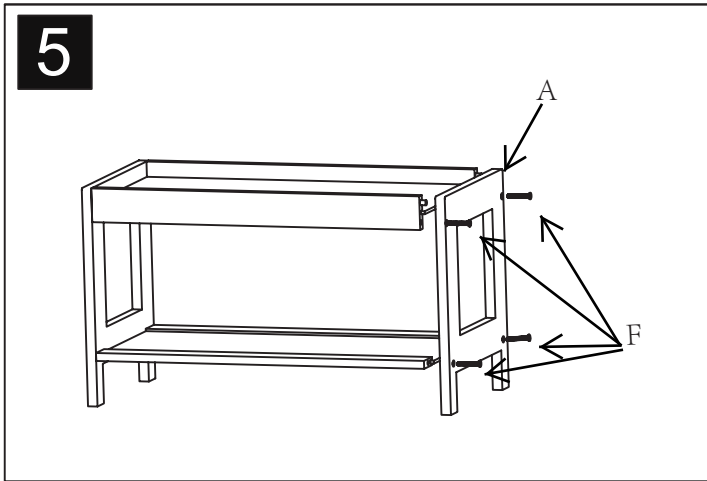


CAUTION:

ADULT ASSEMBLY IS REQUIRED. HARDWARE CONTAINS SCREWS WITH FUNCTIONAL SHARP POINTS. PLEASE KEEP UNASSEMBLED PARTS OUT OF THE REACH OF SMALL CHILDREN. ADULT SUPERVISION IS RECOMMENDED. THIS ITEM IS A TOY AND SHOULD ONLY BE USED WITH DOLLS. NOT SUITABLE FOR BABIES, CHILDREN OR PETS. PLEASE CHECK CONDITION OF PRODUCT REGULARLY, AS SCREWS MAY LOOSEN WITH USE OVER TIME. TIGHTEN SCREW FITTINGS IF NECESSARY.

WARNING

CHOKING HAZARD-SMALL PARTS.
NOT SUITABLE FOR CHILDREN UNDER 3 YEARS.



 **CAUTION:**

ADULT ASSEMBLY IS REQUIRED. HARDWARE CONTAINS SCREWS WITH FUNCTIONAL SHARP POINTS. PLEASE KEEP UNASSEMBLED PARTS OUT OF THE REACH OF SMALL CHILDREN. ADULT SUPERVISION IS RECOMMENDED. THIS ITEM IS A TOY AND SHOULD ONLY BE USED WITH DOLLS. NOT SUITABLE FOR BABIES, CHILDREN OR PETS. PLEASE CHECK CONDITION OF PRODUCT REGULARLY, AS SCREWS MAY LOOSEN WITH USE OVER TIME. TIGHTEN SCREW FITTINGS IF NECESSARY.

 **WARNING**
CHOKING HAZARD-SMALL PARTS.
NOT SUITABLE FOR CHILDREN UNDER 3 YEARS.