

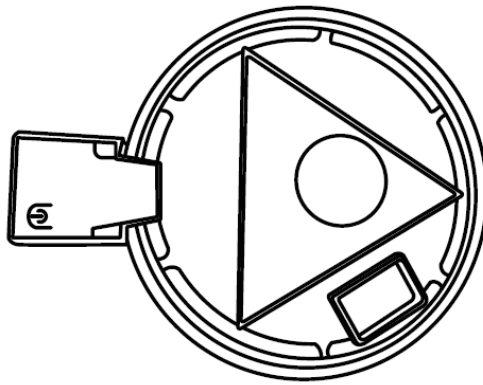
anko

PS5 LED STAND

User Manual

43133444

This product supports both vertical and parallel console placement, can be assembled directly under the original console base.

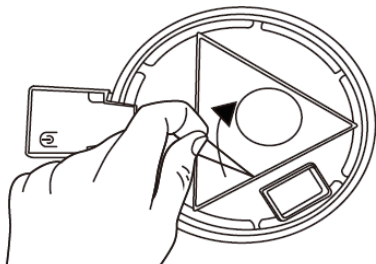


Technical Specifications

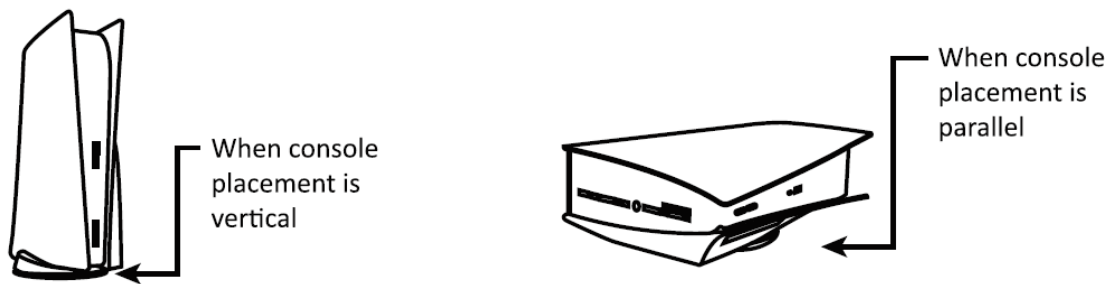
- Compatible with: PS5 original console
- Input voltage: DC 5V
- Supplying current: 50 mA(max)
- Product material: ABS/PC
- Cable length: 30cm
- Product size: 195*158*15mm
- Product weight: 76g
- Accessories: USB charging cable

Instruction

1. Fixed the product directly under the original PS5 base, after removing the film covering the triangular adhesive pad

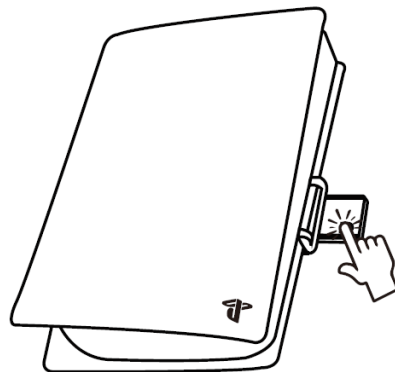


2. Connect the USB charging cable to any USB slot of PS5 console. Plug the cable to this LED stand then power on the PS5
3. The stand can be using in vertical or parallel console placement



LED Lights Mode

- First mode: POWER ON
7 colors will automatic change from red, green, blue, purple, blue, yellow, white
- Second mode: TWO COLOR RAINBOW
1st Button Press then gets two colors will collide from two LEDs slowly
- Third mode: SINGLE COLOR
2nd Button Press to select single color. Press button again to change the single color
- Forth mode: SINGLE COLOR WILL ROTATE COLORS AUTO
- Last press will turn off the lights



Notes

1. Input power must be stable and standard DC5V voltage
2. Do not disassemble it
3. If it is filled with water, do not use the product
4. Do not expose it in sunlight
5. Do not scrub it with chemical reagent
6. Do not scratch it with sharp objects