

# Assembly Instructions









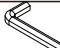


## CARE INSTRUCTIONS:











WIPE CLEAN WITH A SOFT DAMP CLOTH. WHEN USE THE TOP AS A CHOPPING SURFACE, LOCK ALL WHEELS AND PLACE THE TROLLEY AGAINST WALL OR OTHER FIXED UNIT TO AVOID UNINTENDED MOVING. CHECK AND TIGHTEN ALL PARTS REGULARLY. FOR INDOOR AND DOMESTIC USE ONLY.

## WARNING:

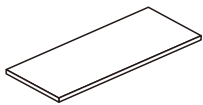
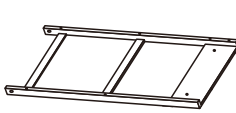
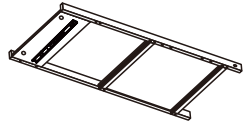

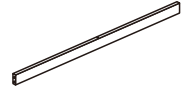

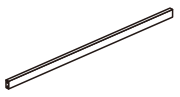
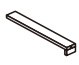



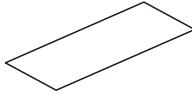
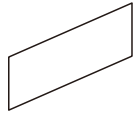
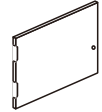
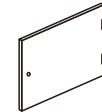
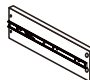
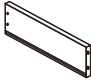
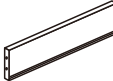
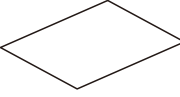
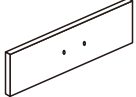
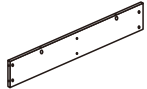
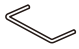
DO NOT STAND OR SIT ON THIS UNIT. DO NOT USE THIS UNIT AS A STEP LADDER. DO NOT USE UNTIL ALL BOLTS AND SCREWS ARE FIRMLY SECURED. KEEP AWAY FROM CHILDREN AND BABIES UNTIL ASSEMBLY IS COMPLETE. ADULT ASSEMBLY REQUIRED. ALWAYS SET UP THIS ITEM ON A FLAT EVEN SURFACE. ENSURE PRODUCT IS STABLE AND LOAD EVENLY. **MAXIMUM SAFE LOAD WEIGHT:** 20KGS FOR TOP PANEL, 5KGS FOR DRAWER, 8KGS FOR SHELF, 1.5KGS FOR HOOK, 1.5KGS FOR TOWEL RAIL.

1

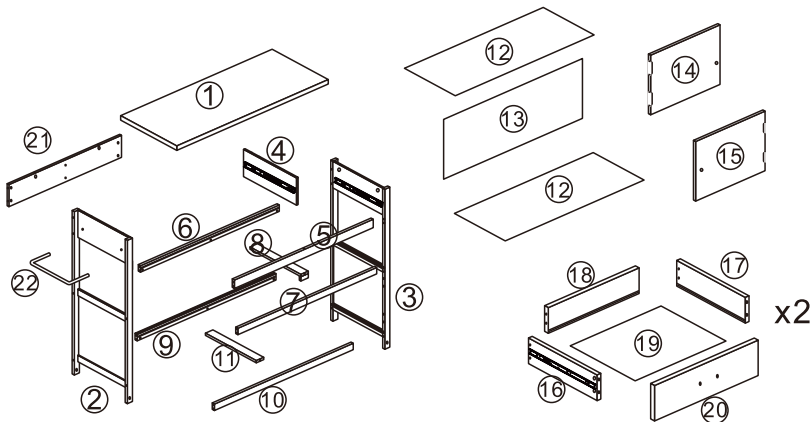
	A	∅6x35mm	20PCS
	B		20PCS
	C	∅6x30mm	18PCS
	D	∅4x40mm	11PCS
	E	∅6x70mm	12PCS
	F		12PCS
	G	∅3x12mm	18PCS
	H		1PC
	I		1PC
	J		2PCS
	K		2PCS

	L		2PCS
	M	∅6x32mm	4SETS
	N		3PCS
	O		1PC
	P		2PCS
	Q		4PCS
	R	∅3x14mm	12PCS
	S		2PCS
	T	∅4x30mm	2SETS
	U		12PCS

2

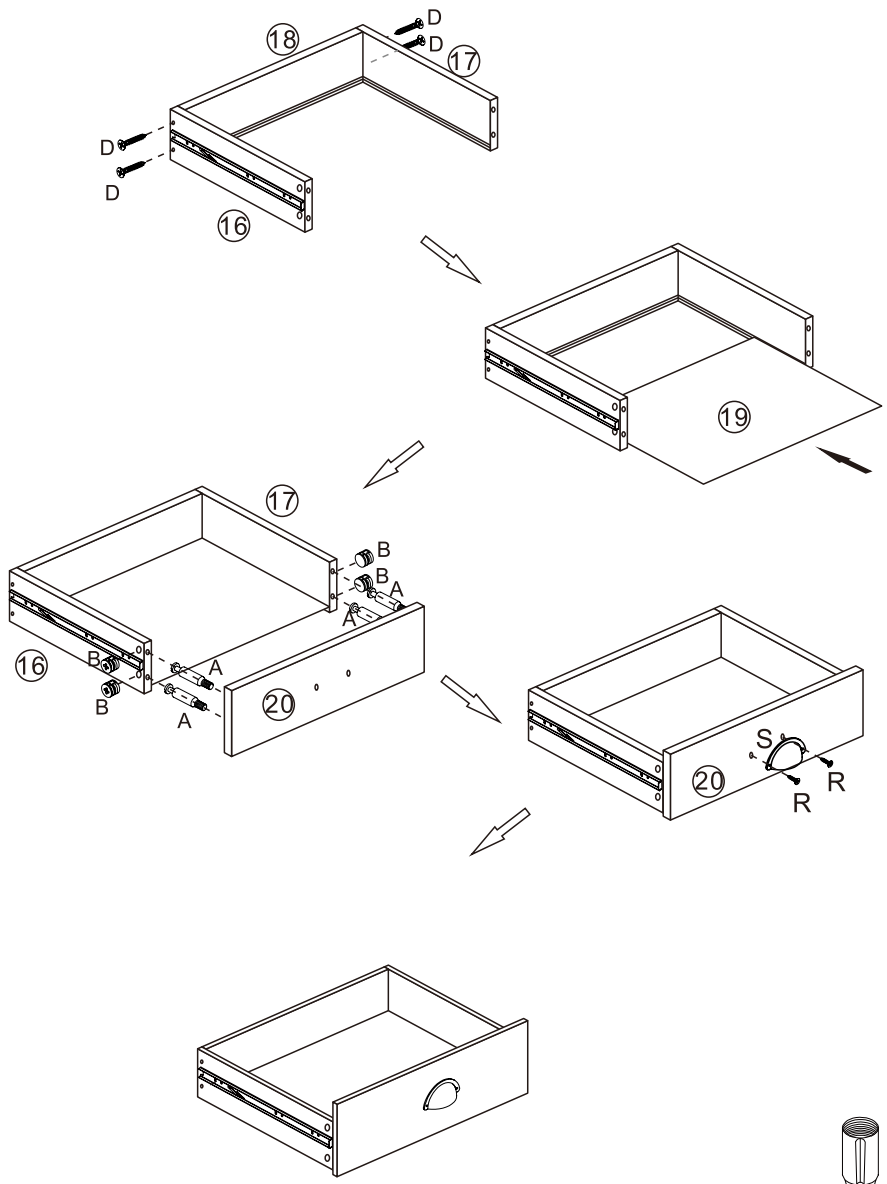
					
①	1PC	②	1PC	③	1PC
					
④	1PC	⑤	1PC	⑥	1PC
					
⑦	1PC	⑧	1PC	⑨	1PC
					
⑩	1PC	⑪	1PC	⑫	2PCS
					
⑭	1PC	⑮	1PC	⑯	2PCS
					
⑱	2PCS	⑲	2PCS	⑳	2PCS
		㉑	1PC	㉒	1PC

3



Step 1:

x2



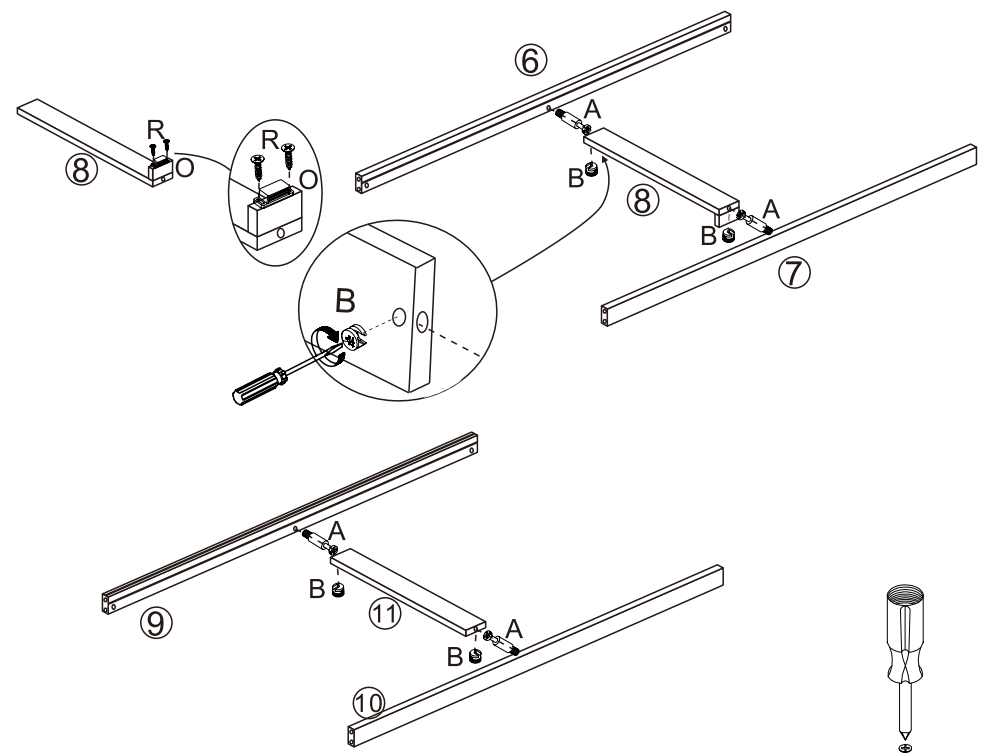
Tool required  
Philips Head Screw Driver  
(Not Provided)

Step 2:



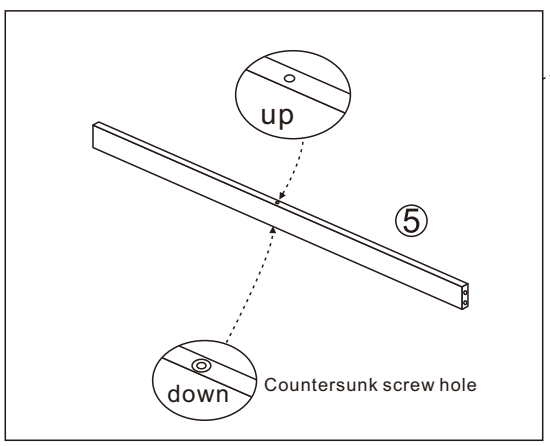
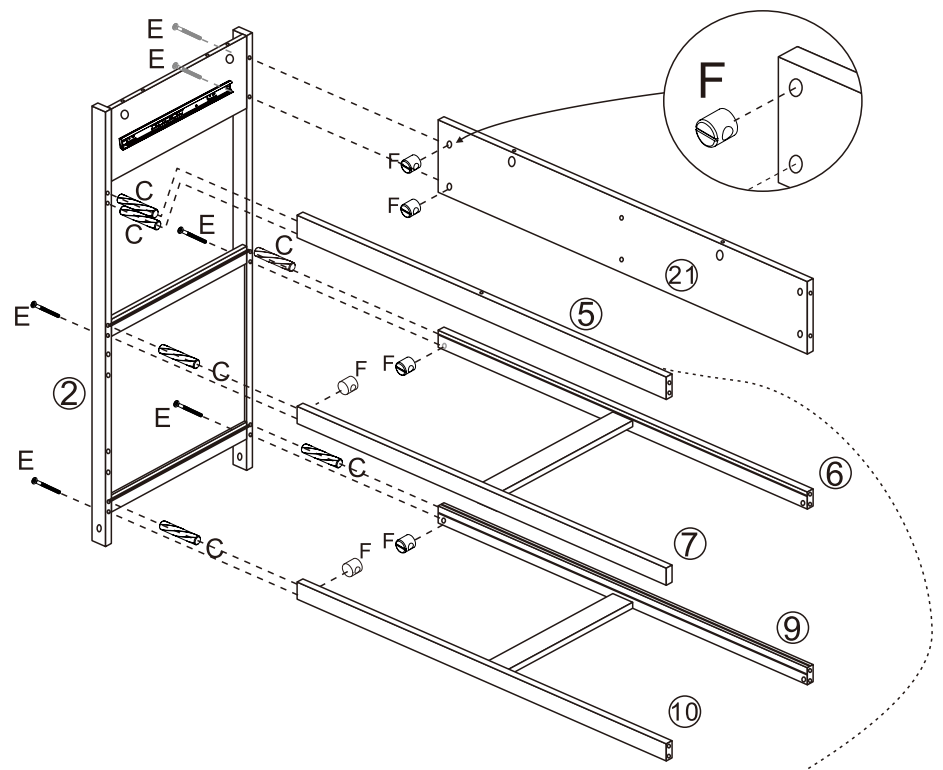
Tool required  
Philips Head Screw Driver  
(Not Provided)

Step 3:



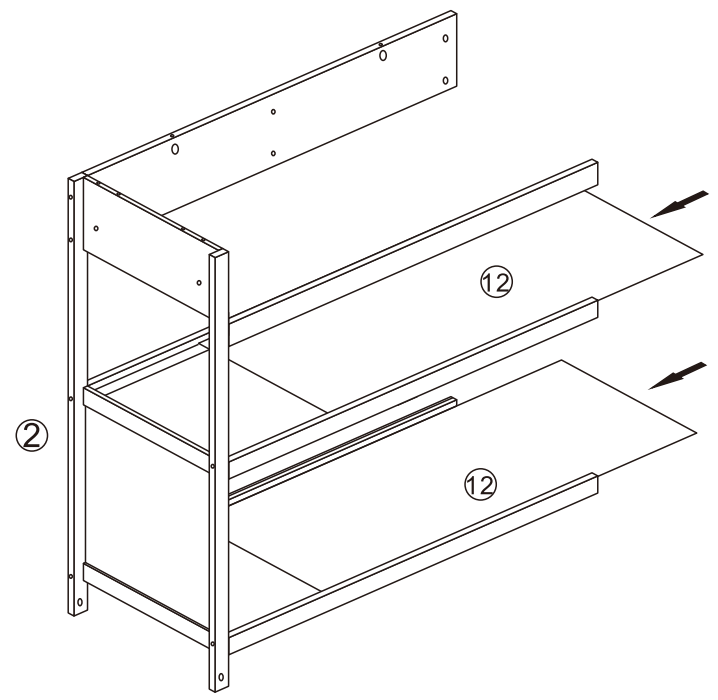
Tool required  
Philips Head Screw Driver  
(Not Provided)

### Step 4:

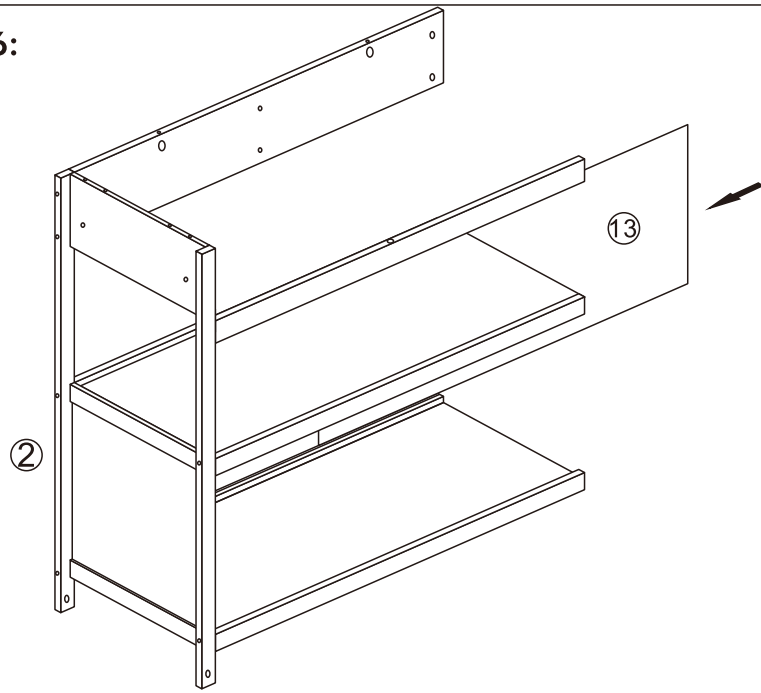


Tool required  
Phillips Head Screw Driver  
(Not Provided)


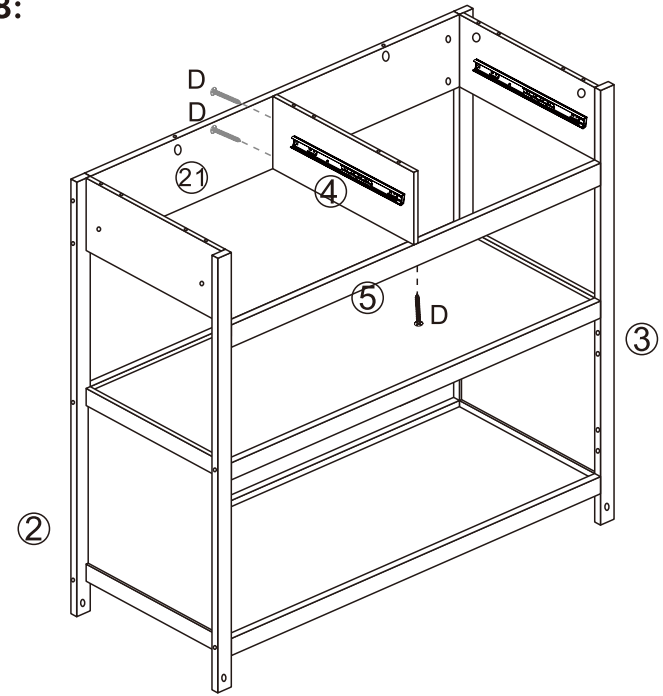
### Step 5:



**Step 6:**


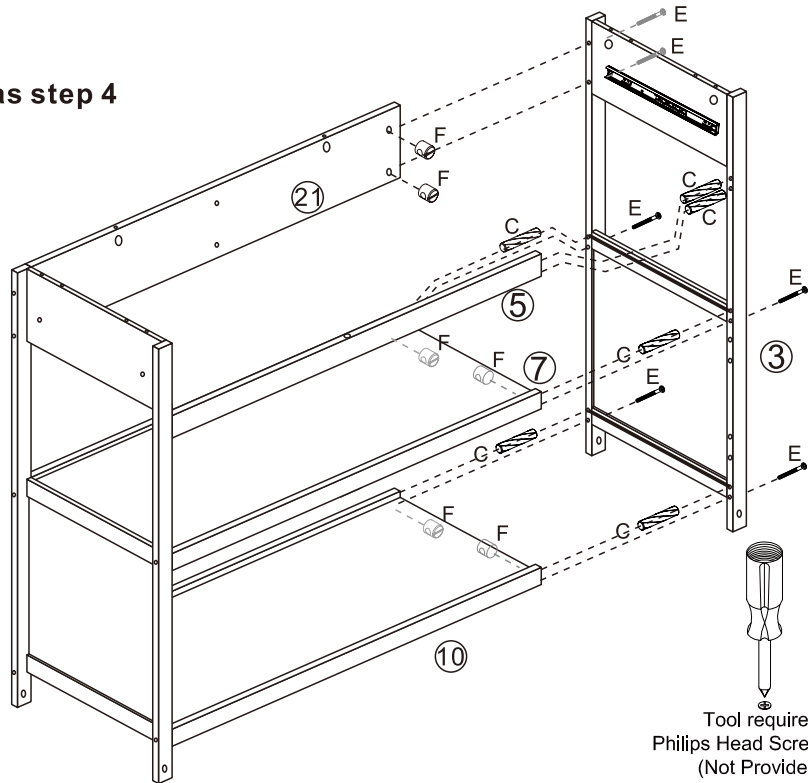


**Step 8:**




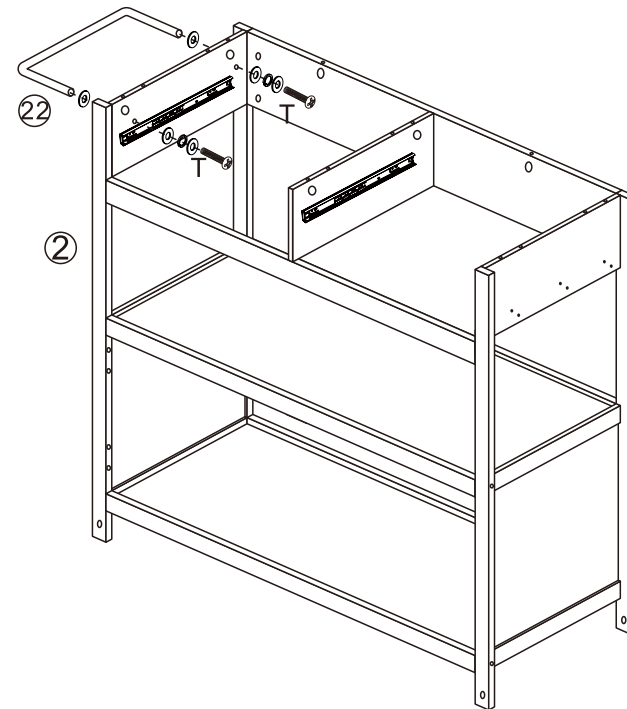
Tool required  
Philips Head Screw Driver  
(Not Provided)

**Step 7:**  
the same as step 4



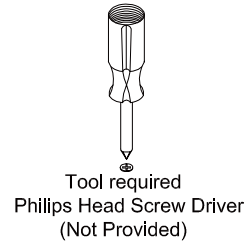
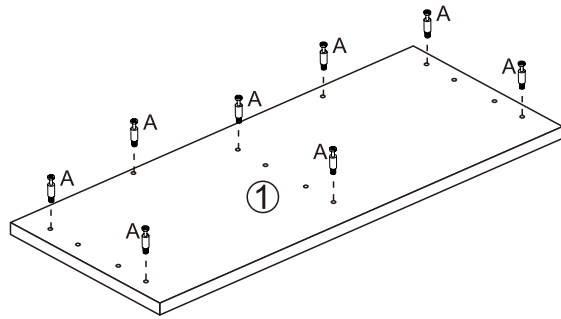
Tool required  
Philips Head Screw Driver  
(Not Provided)

**Step 9:**

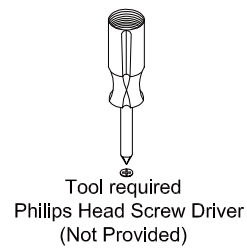
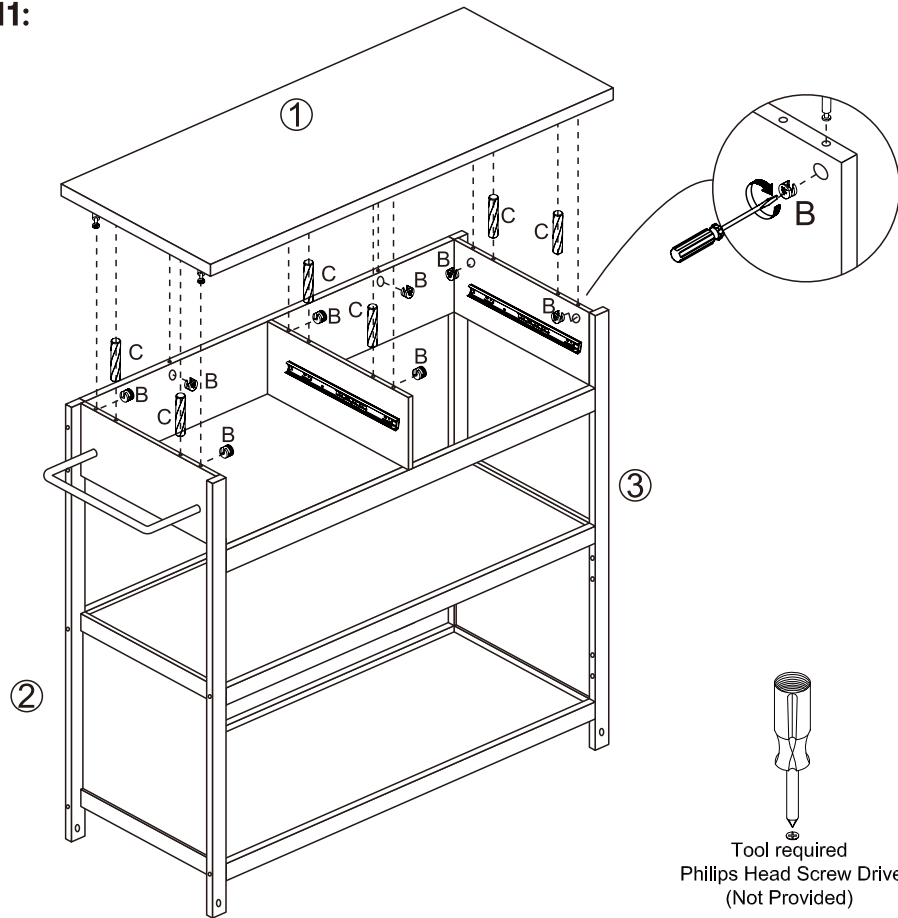


Tool required  
Philips Head Screw Driver  
(Not Provided)

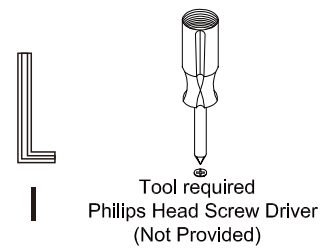
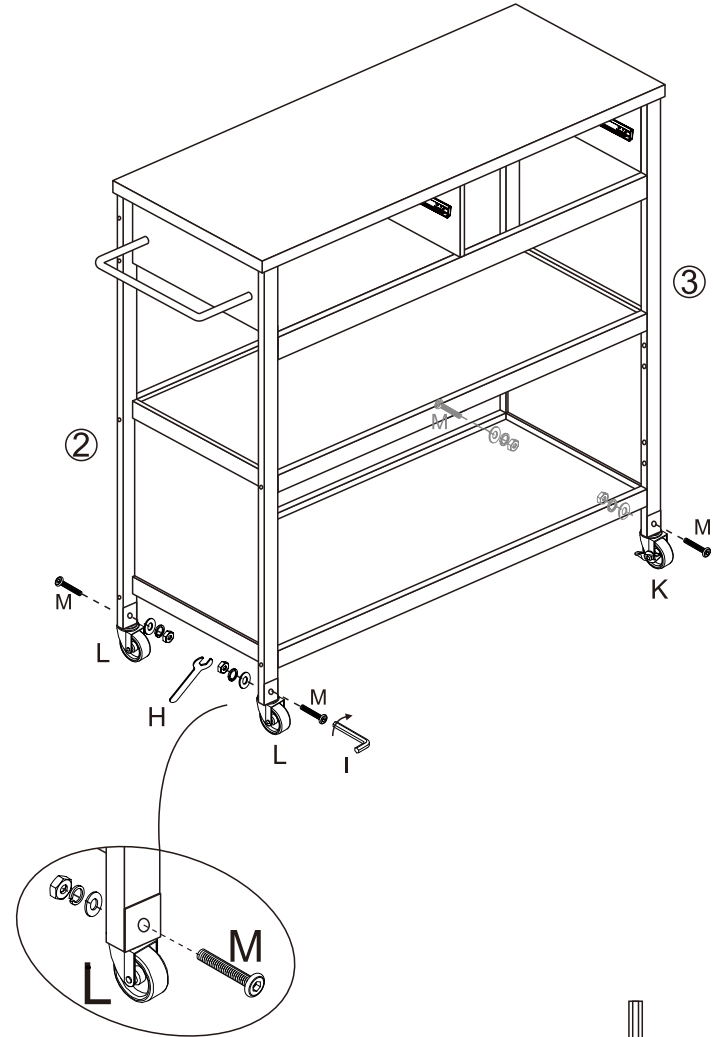
### Step 10:



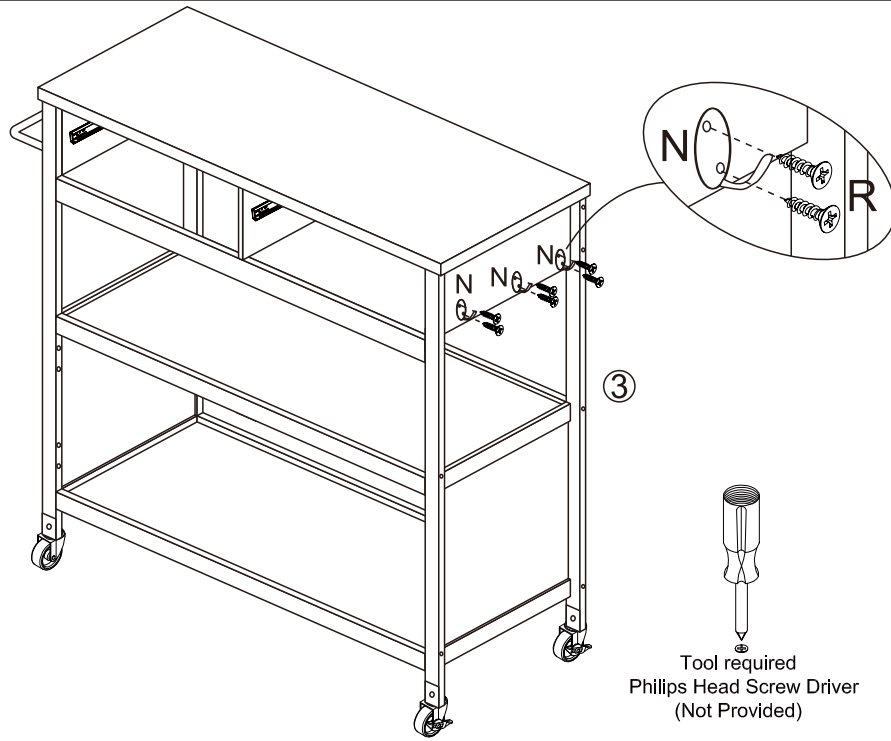
### Step 11:



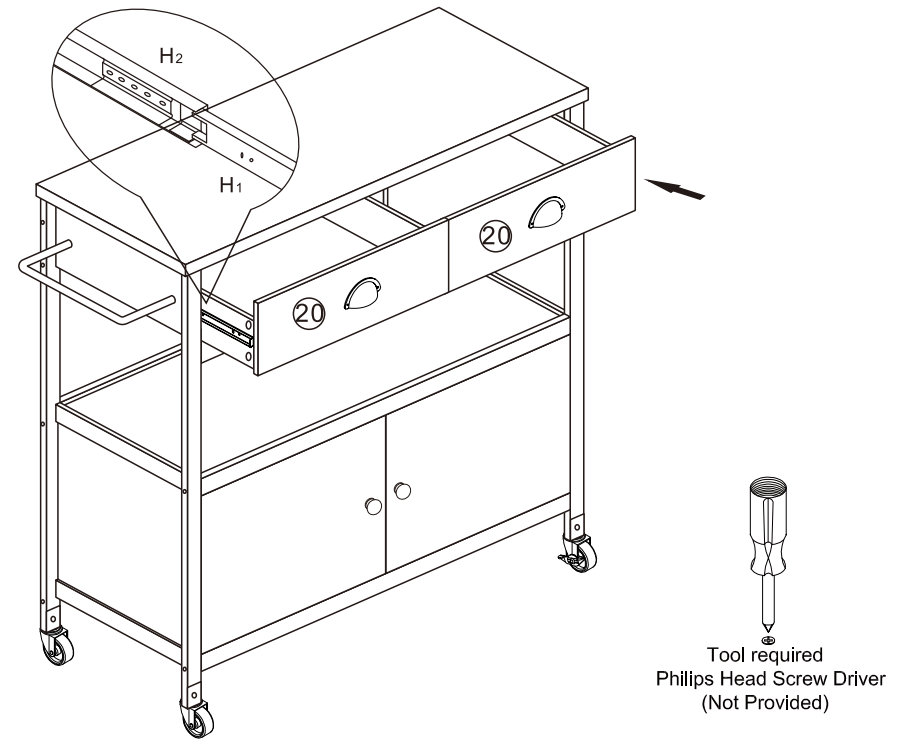
### Step 12:



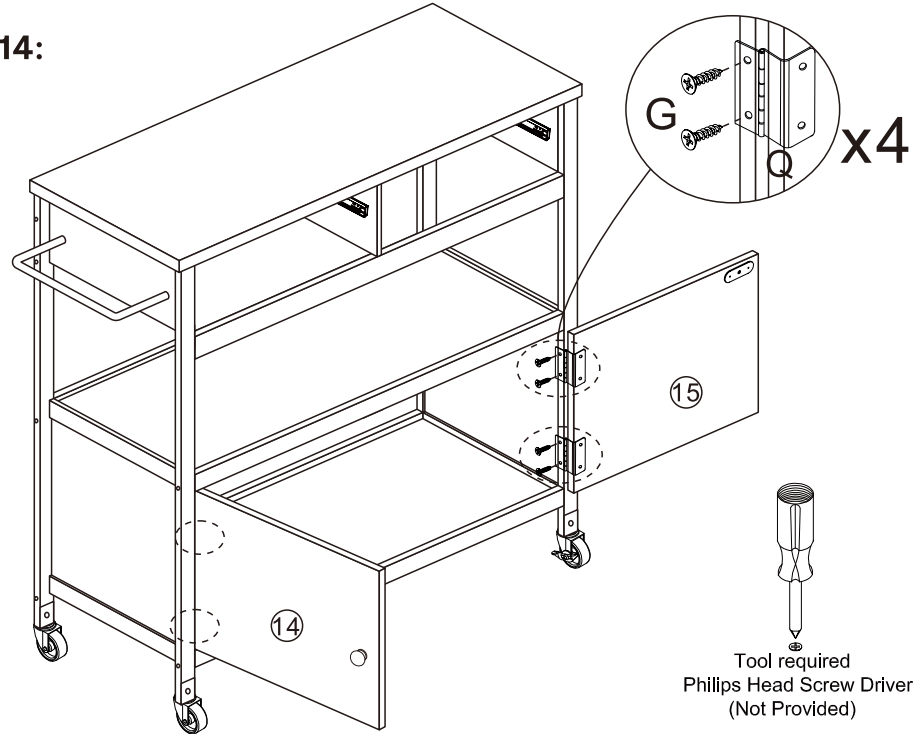
**Step 13:**



**Step 15:**



**Step 14:**



**Step 16:**

