

Scandi Rocking Chair

Instruction Manual

100
kg

MAXIMUM
LOAD
WEIGHT



The photos and illustrations shown in this instruction manual are generic.

The manufacturer reserves the right to change any specification or feature without prior notice.

IMPORTANT: KEEP FOR FUTURE REFERENCE. READ CAREFULLY.

⚠ WARNING!

Do not stand on this chair. Do not use this chair as a step ladder. Do not sit on the armrests of chair. Suitable for one person only. Only use on a flat surface. Failure to follow these warnings could result in serious injuries. This packaging contains small parts and sharp points. Keep unassembled parts away from children and babies. For indoor and domestic use only. Some assembly required by an adult. Do not use until all screws are firmly secured. Please keep the packaging for future reference. Product may vary slightly from image shown.

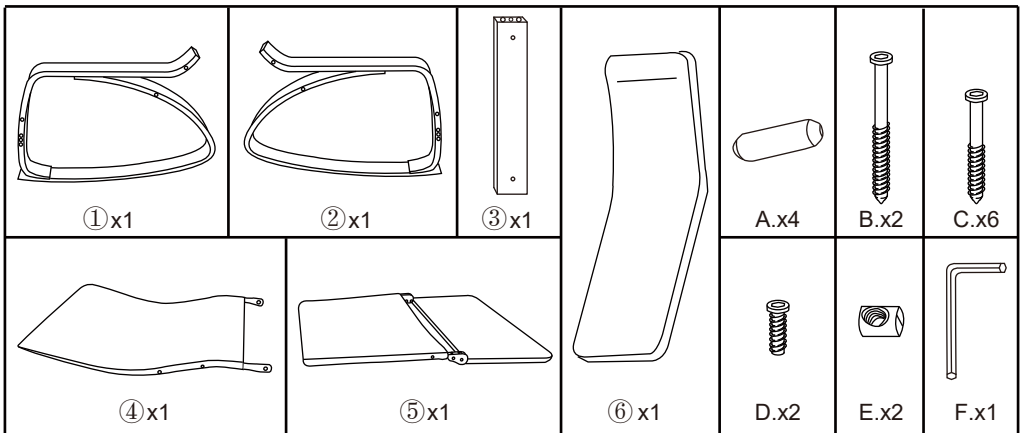
CARE INSTRUCTIONS:

Cover:

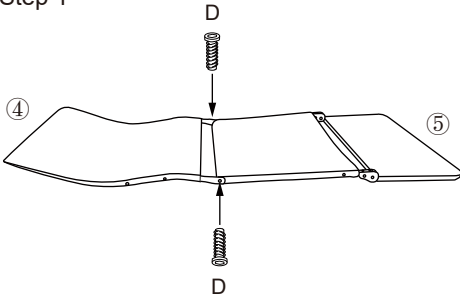
- Do not wash.
- Wipe clean with a soft damp or dry cloth.
- Do not bleach.
- Dry in shade.
- Do not dryclean⊗.

Chair:

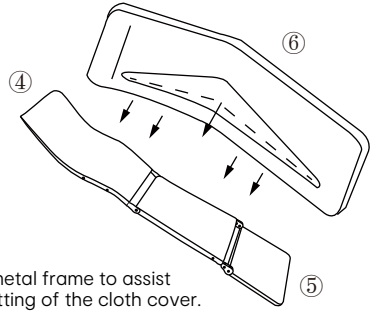
- Wipe clean with a soft damp or dry cloth.
- Do not use abrasive cleaners and solvents.
- Check and tighten all parts regularly.
- Store in a dry place.



Step 1

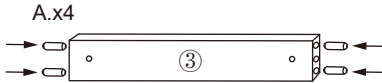


Step 2

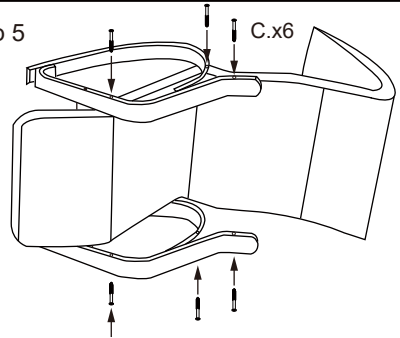


Fold the metal frame to assist with the fitting of the cloth cover.

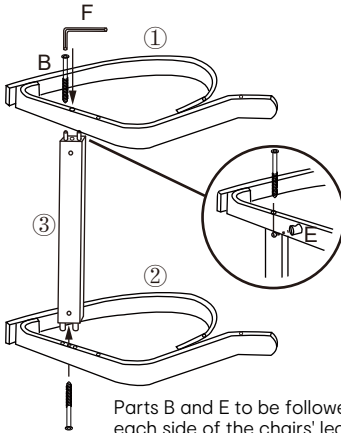
Step 3



Step 5



Step 4



Parts B and E to be followed for each side of the chairs' legs.



KEYCODE: 43-140-190

MADE IN CHINA

© KMART AUSTRALIA LIMITED

FOR AU / NZ: IMPORTED FOR KMART STORES IN AUSTRALIA AND NEW ZEALAND.

KMART AUSTRALIA - 690 SPRINGVALE ROAD, MULGRAVE, VIC 3170 AUSTRALIA.

KMART NEW ZEALAND - REGIONAL OFFICE C/O KMART PAPATOETOE STORE,
HUNTERS PLAZA, GREAT SOUTH ROAD, PAPATOETOE, AUCKLAND, NEW ZEALAND.

KMART CUSTOMER SERVICE:

AU: 1800 124 125

NZ: 0800 945 995