

# Assembly Instructions

## 43142439 3 TIER SHOE CABINET

TOOLS REQUIRED: PHILLIPS HEAD SCREWDRIVER, HAMMER (NOT PROVIDED).

**WARNING:**















THIS PACKAGE CONTAINS SMALL PARTS AND SHARP POINTS. KEEP AWAY FROM CHILDREN AND BABIES.

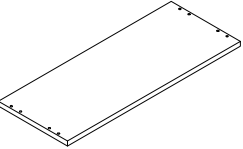
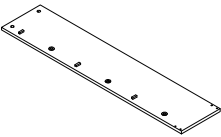
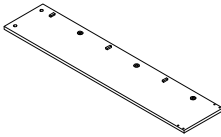
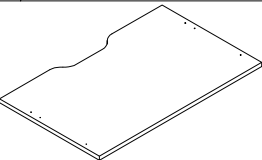
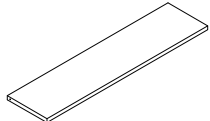
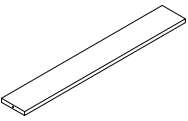
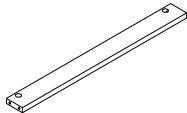
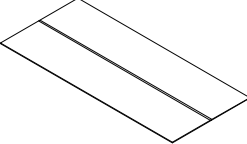
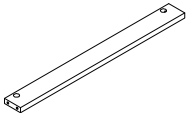
THIS PRODUCT MUST BE ATTACHED TO THE WALL TO PREVENT TIPPING OVER.

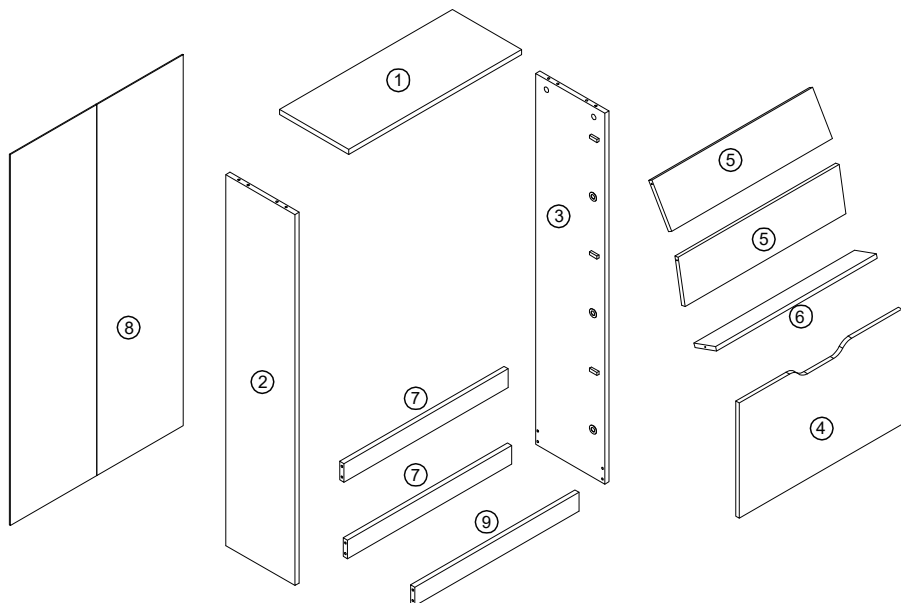
IT IS RECOMMENDED FOR 2 PEOPLE TO ASSEMBLE/MOVE THIS ITEM TO AVOID ANY POTENTIAL INJURY AND/OR DAMAGE.

**MAXIMUM SAFE LOAD: 10KG FOR TOP PANEL, 5KG FOR INSIDE DRAWER.**

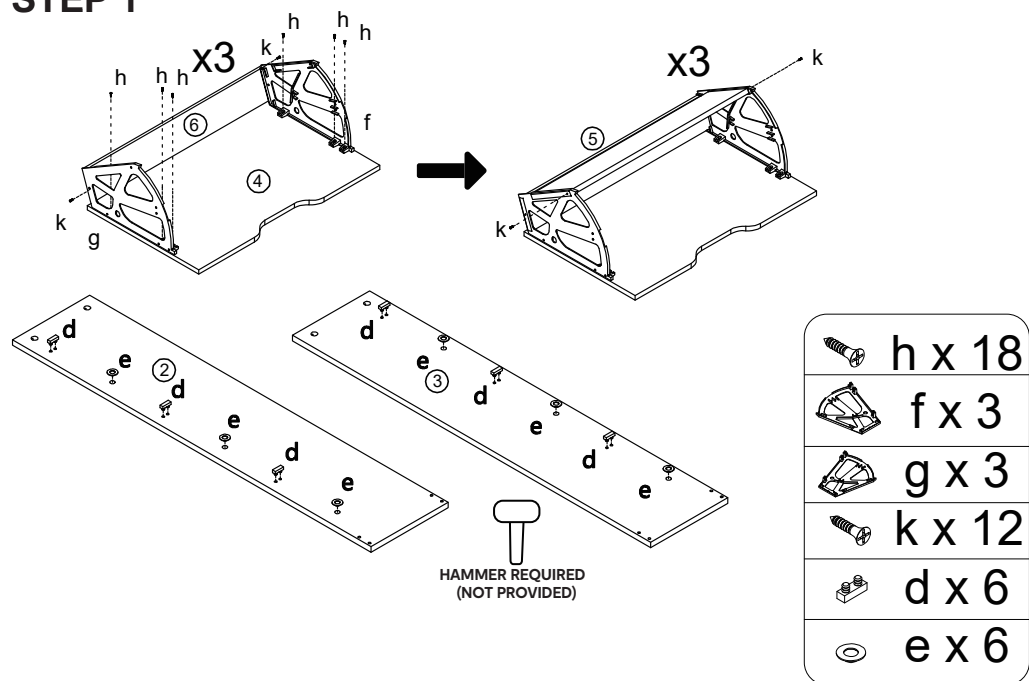
### Hardware list

	a	6x35mm	10pcs		h	M4x12mm	18pcs
	b	15x9.5mm	10pcs		i		6pcs
	c	6x30mm	10pcs		j		18pcs
	d		6pcs		k	M4x25mm	18pcs
	e		6pcs		l	20x150mm ø3.5x12mm	2pcs
	f		3pcs		m	ø6x30mm ø4x35mm	2pcs
	g		3pcs		n	M4x13mm	6pcs

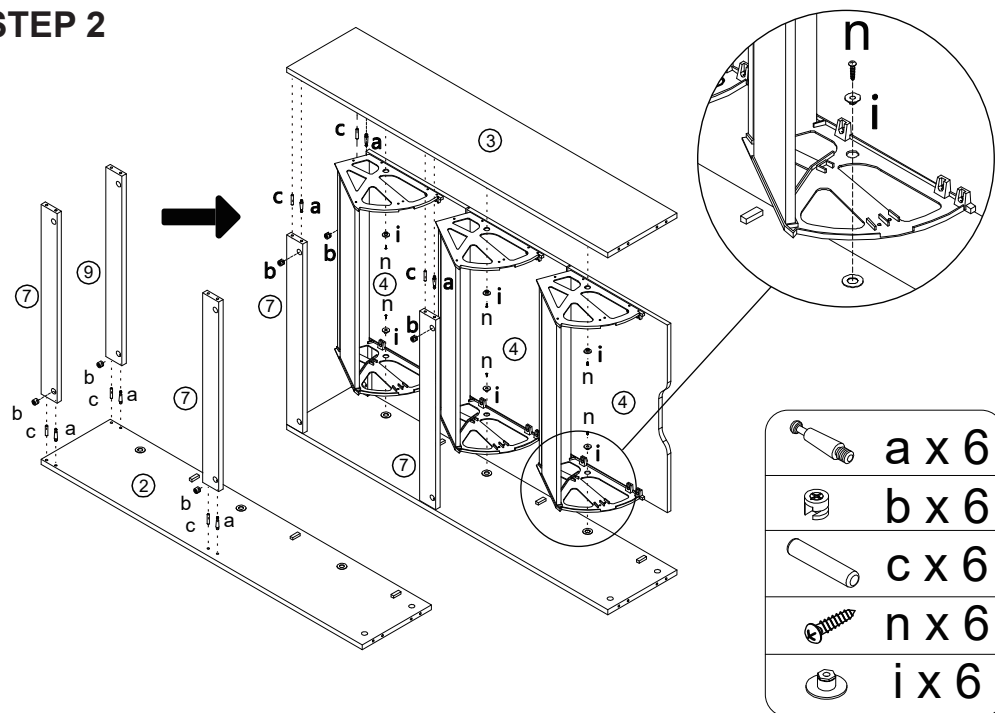
	①	1PC		②	1PC		③	1PC
	④	3PCS		⑤	6PCS		⑥	3PCS
	⑦	2PCS		⑧	1PC		⑨	1PC



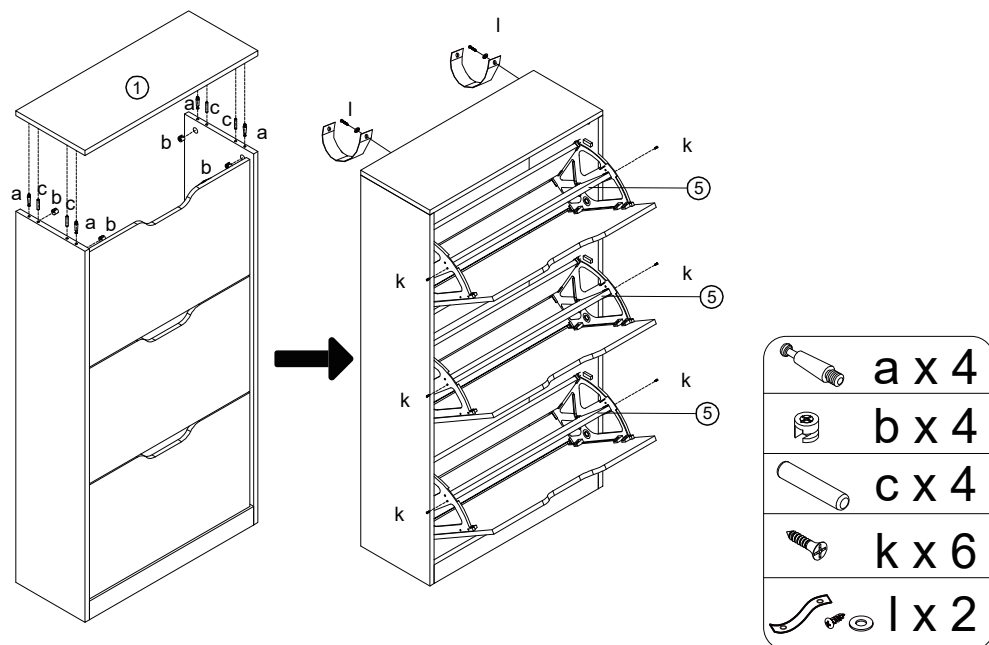
### STEP 1



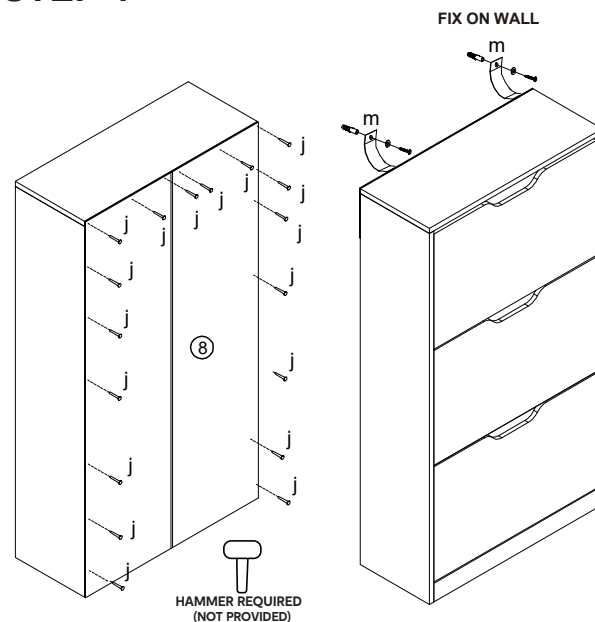
### STEP 2



### STEP 3



### STEP 4



#### User instructions for wall fixings:

This product must be permanently fixed to the wall to help prevent tipping. Please seek professional advice if you are in doubt of what fixing device to use. Regularly check that wall fixings are securely maintained. Stability of tall items may be affected by thick pile carpet or uneven floors. Do not place unanchored televisions on furniture.

**Caution:** for your safety when attaching the wall fixings check any electrical wires or plumbing inside the wall before drilling any holes (if you are unsure please seek professional advice from a qualified trades person).