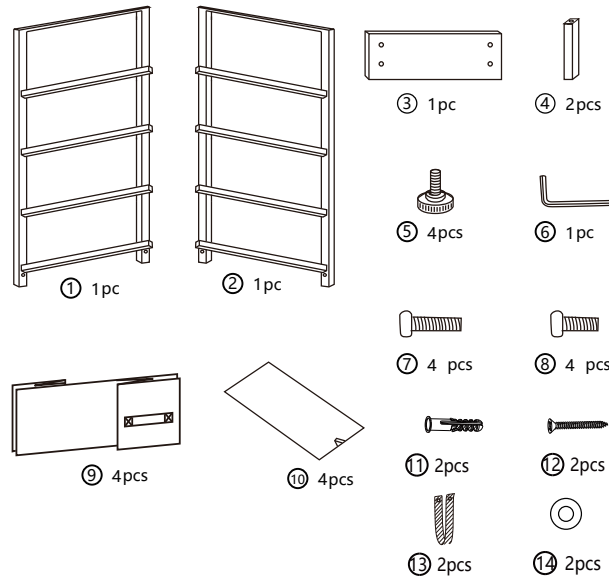
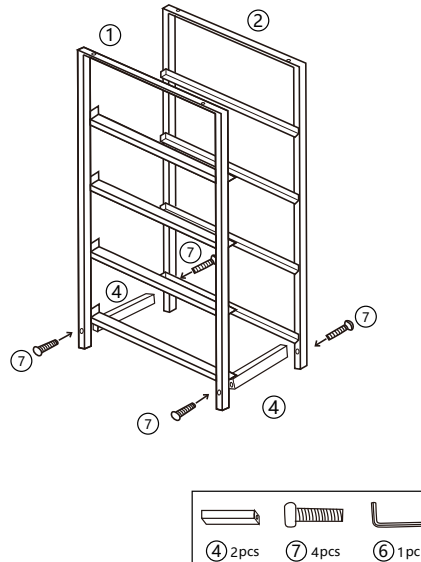


# Assembly Instructions

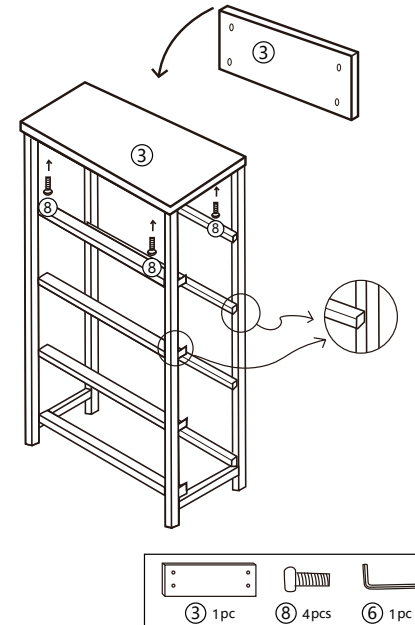
Attention : Do not tighten the screws until it has been fully assembled.



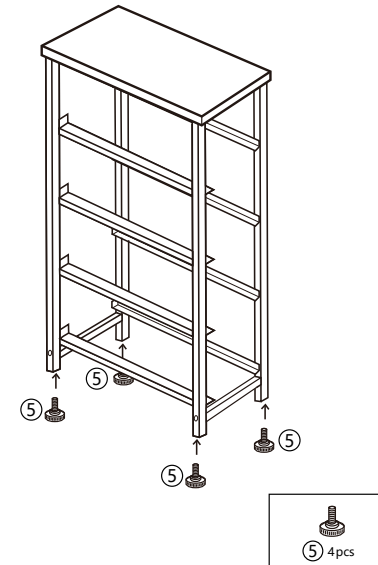
Step 1



Step 2



Step 3



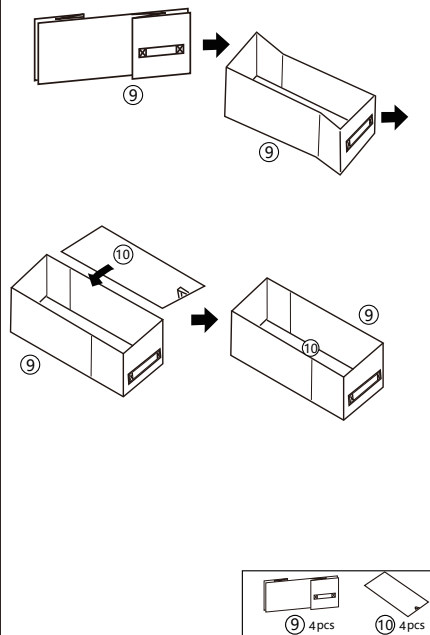
User instructions for wall fixing:

- It is strongly recommended that this product is permanently fixed to the wall
- Please seek professional advice if you are in doubt of what fixing device to use
- Regularly check that anchors are securely maintained
- Stability of tall items may be affected by thick pile carpet or uneven floors
- Do not place unanchored televisions on furniture

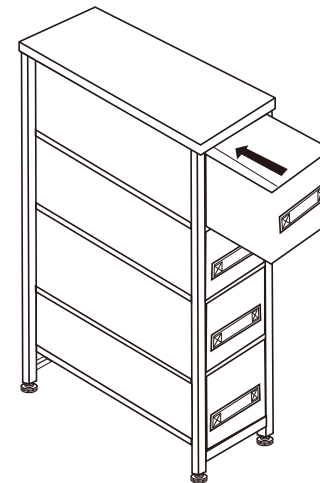
Caution: for your safety when attaching the anchor fixings:

- Check any electrical wires or plumbing inside the wall before drilling any holes (if you are unsure please seek professional advice from a qualified tradesperson)

Step 4



Step 5



Step 6

