

Assembly Instructions

43147366 SCANDI SIDE TABLE

CARE INSTRUCTIONS:

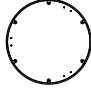

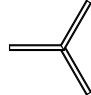



WIPE CLEAN WITH A DAMP OR DRY CLOTH. DO NOT USE ABRASIVE MATERIALS AND SOLVENTS. DO NOT PLACE HOT ITEMS SUCH AS COFFEE CUPS DIRECTLY ON THE SURFACE OF THIS FURNITURE ITEM. KEEP AWAY FROM WATER AND DIRECT SUNLIGHT. PLACE ON AN EVEN SURFACE. FOR INDOOR AND DOMESTIC USE ONLY.

WARNING:

DO NOT STAND OR SIT ON THIS UNIT. DO NOT USE THIS UNIT UNLESS ALL BOLTS AND SCREWS ARE FIRMLY SECURED. USE ONLY ON AN EVEN SURFACE. THIS PACKAGE CONTAINS SMALL PARTS AND SHARP POINTS. KEEP AWAY FROM CHILDREN AND BABIES. ADULT ASSEMBLY REQUIRED. A MILD ODOUR MAY BE PRESENT WHEN FIRST OPENING THIS CARTON. SIMPLY ALLOW TO AIR OUTSIDE AND THIS WILL FADE.

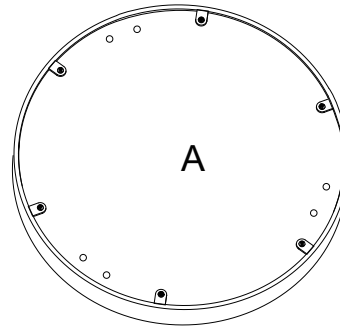
MAXIMUM SAFE LOAD: 10KG.

Hardware list

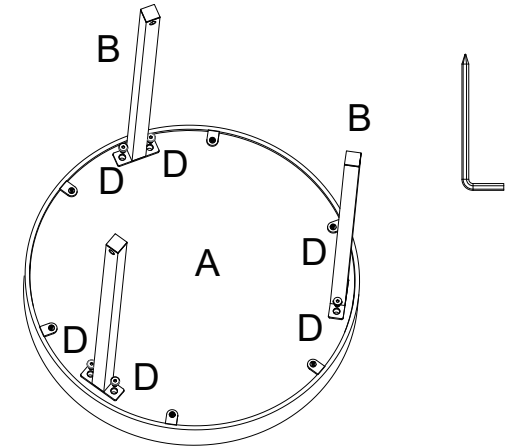
A	Board		1pc
B	Metal Leg		3pcs
C	Metal Frame		1pc
D	Screw M6x10mm		6pcs
E	Screw M6x40mm		3pcs
F	Hex key		1ps

ATTENTION:
DO NOT TIGHTEN THE SCREWS FULLY DURING ASSEMBLY. FULLY TIGHTEN SCREWS AFTER THE FINAL ASSEMBLY STEP.

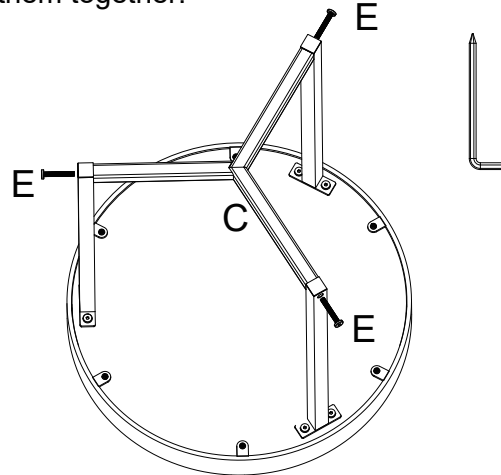
Step 1: Put board (Part A) on the ground, ensure the side with screw hole is on the top.



Step 2: Use screws (Part D) to fasten metal legs (Part B) to the board (Part A).



Step 3: Put metal frame (Part C) on the top of metal legs (Part B) and use screws (Part E) to fasten them together.



Step 4: Fasten all screws firmly, assembly is now complete.

