

# Assembly Instructions

## 43148257 FAUX RATTAN SELF UNIT

**CARE INSTRUCTIONS:**

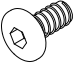
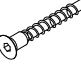
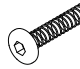

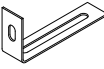



Wipe clean with a damp or dry cloth. Do not use abrasive materials and solvents. Keep away from water and direct sunlight. For indoor and domestic use only. A mild odour may be present when first opening this carton. Simply allow to air outside and this will fade.

**WARNING:**






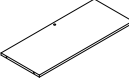
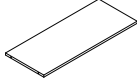

Do not use this unit unless all bolts and screws are firmly secured. Do not knock or drag this unit. Use only on a flat surface. Failure to follow these warnings could result in serious injury. This package contains small parts and sharp points, keep away from children and babies.

**MAXIMUM SAFE LOAD: 5KG FOR EACH SHELF.**

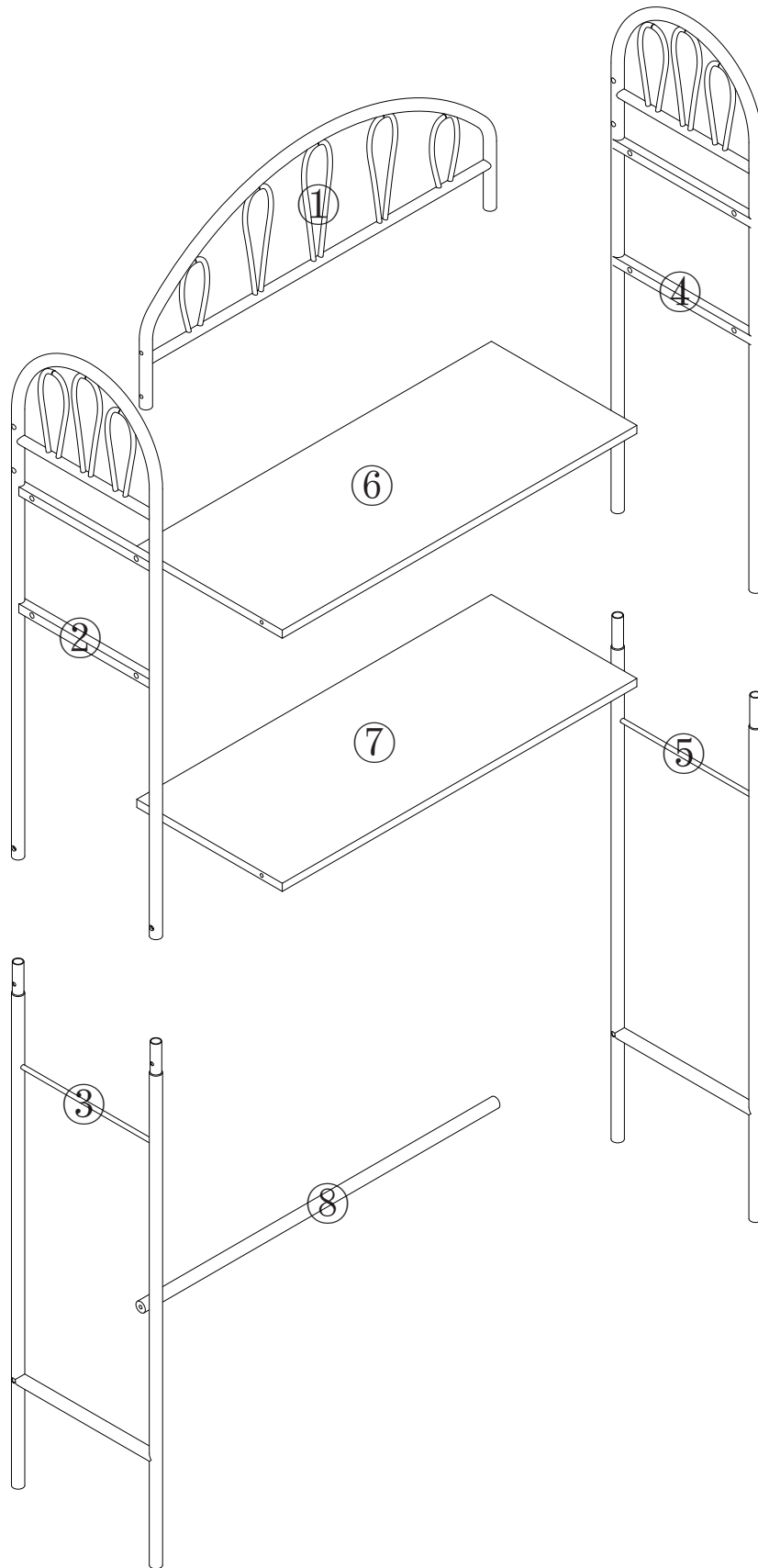
### 1 Hardware List

	A	6x12mm	4pcs		B	7x40mm	8pcs		C	6x30mm	6pcs
	D	4x12mm	1pc		E		1pc		F	4x40mm	1pc
	G		1pc		H		1pc				

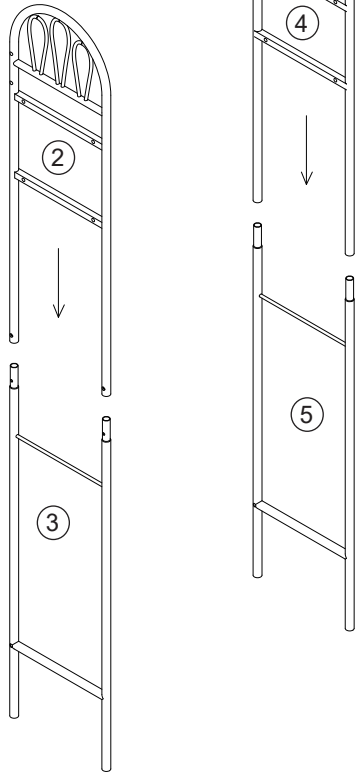
### 2 Parts List

							
①	1pc	②	1pc	③	1pc	④	1pc
							
⑤	1pc	⑥	1pc	⑦	1pc	⑧	1pc

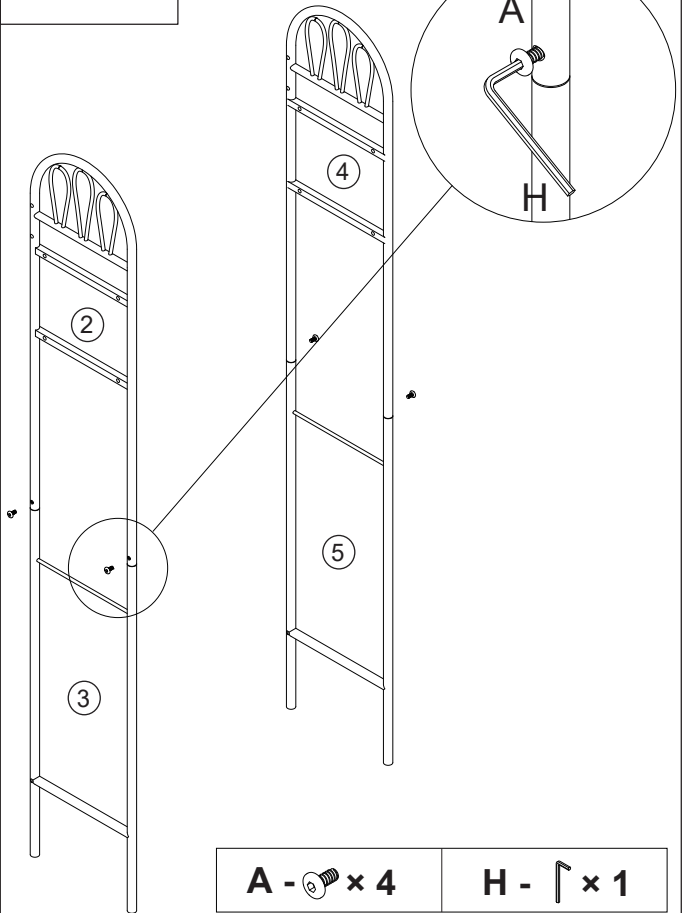
3



STEP 1



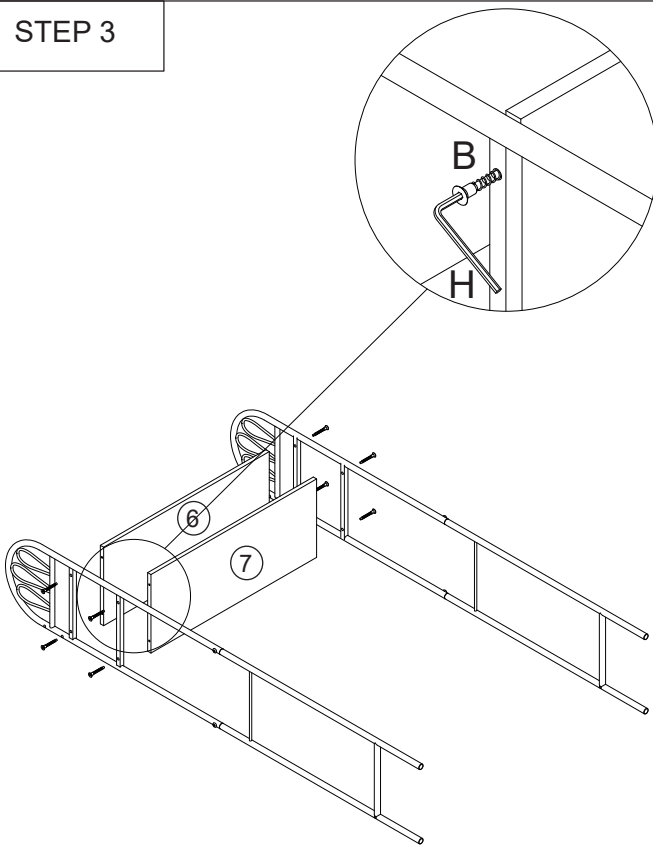
STEP 2



A -  x 4

H -  x 1

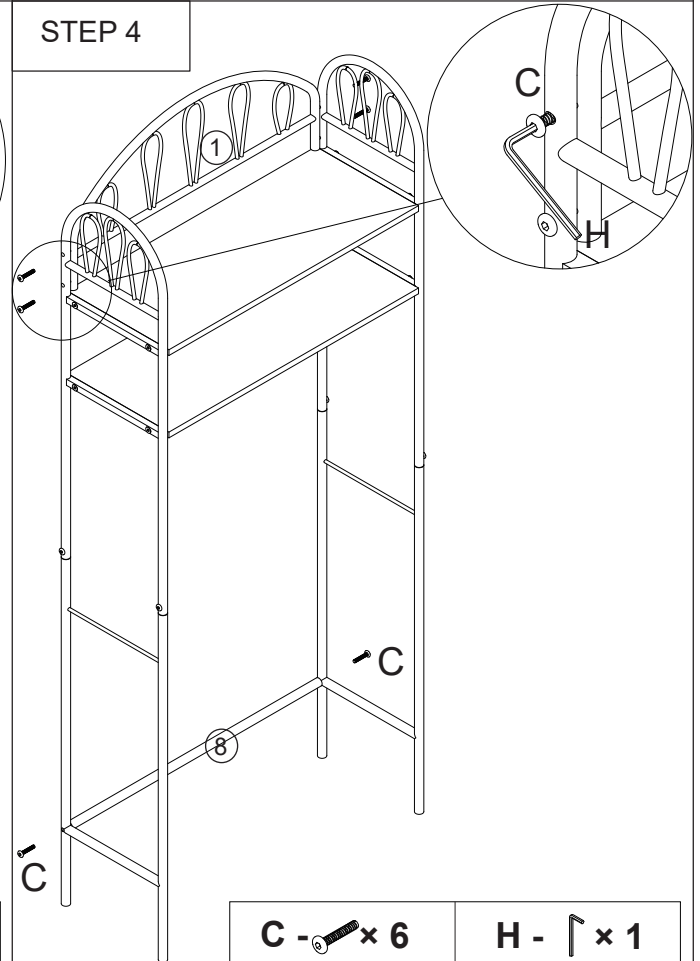
STEP 3



B -  x 8

H -  x 1

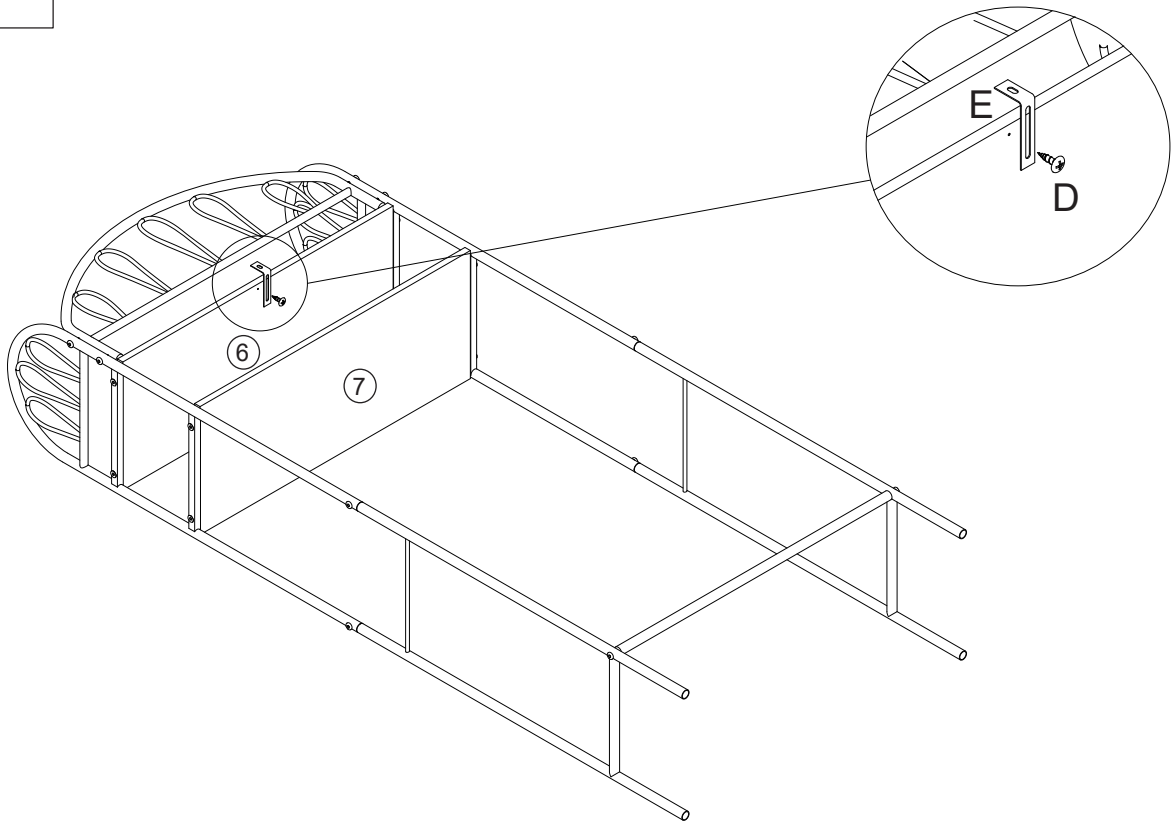
STEP 4



C -  x 6

H -  x 1

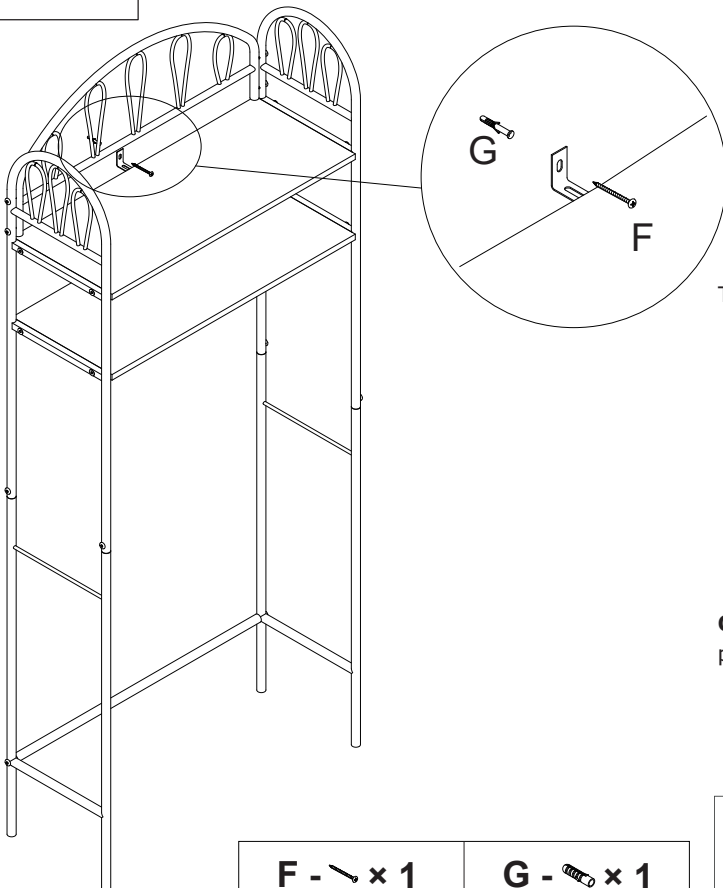
STEP 5



D -  x 1

E -  x 1

STEP 6



F -  x 1

G -  x 1

TOPPLING FURNITURE WARNING:

- It is strongly recommended that this product is permanently fixed to the wall.
- Please seek professional advice if you are in doubt of what fixing device to use.
- Regularly check that anchors are securely maintained.
- Stability of tall items may be affected by thick pile carpet or uneven floors .
- Do not place unanchored televisions on furniture .

**CAUTION:** for your safety when attaching the anchor fixings, please note the following:

- Check any electrical wires or plumbing inside the wall before drilling any holes (if you are unsure please seek professional advice from a qualified tradesperson).



WARNING: PLEASE SECURE YOUR FURNITURE WITH THE SUPPLIED WALL FIXING. SCAN THE CODE FOR MORE INFORMATION.

