

Assembly Instructions

43148295 FAUX RATTAN CNR SELF

CARE INSTRUCTIONS:

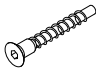





Wipe clean with a damp or dry cloth. Do not use abrasive materials and solvents. Keep away from water and direct sunlight. For indoor and domestic use only. A mild odour may be present when first opening this carton. Simply allow to air outside and this will fade.

WARNING:

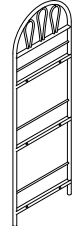
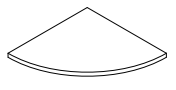
Do not use this unit unless all bolts and screws are firmly secured. Do not knock or drag this unit. Use only on a flat surface. Failure to follow these warnings could result in serious injury. This package contains small parts and sharp points, keep unassembled parts away from children and babies.

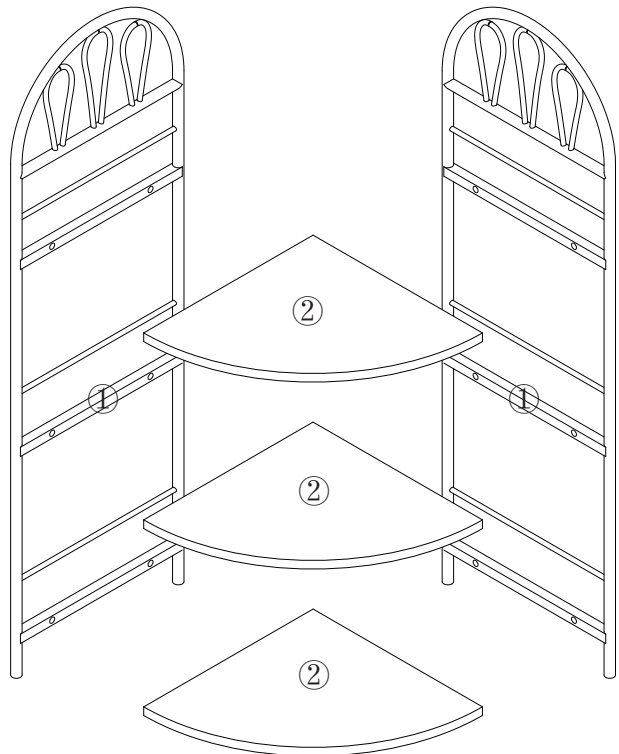
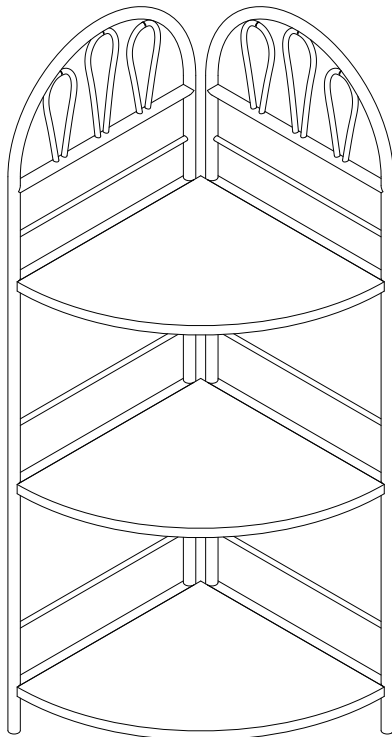
MAXIMUM SAFE LOAD: 3KG FOR EACH SHELF.

1 Hardware List

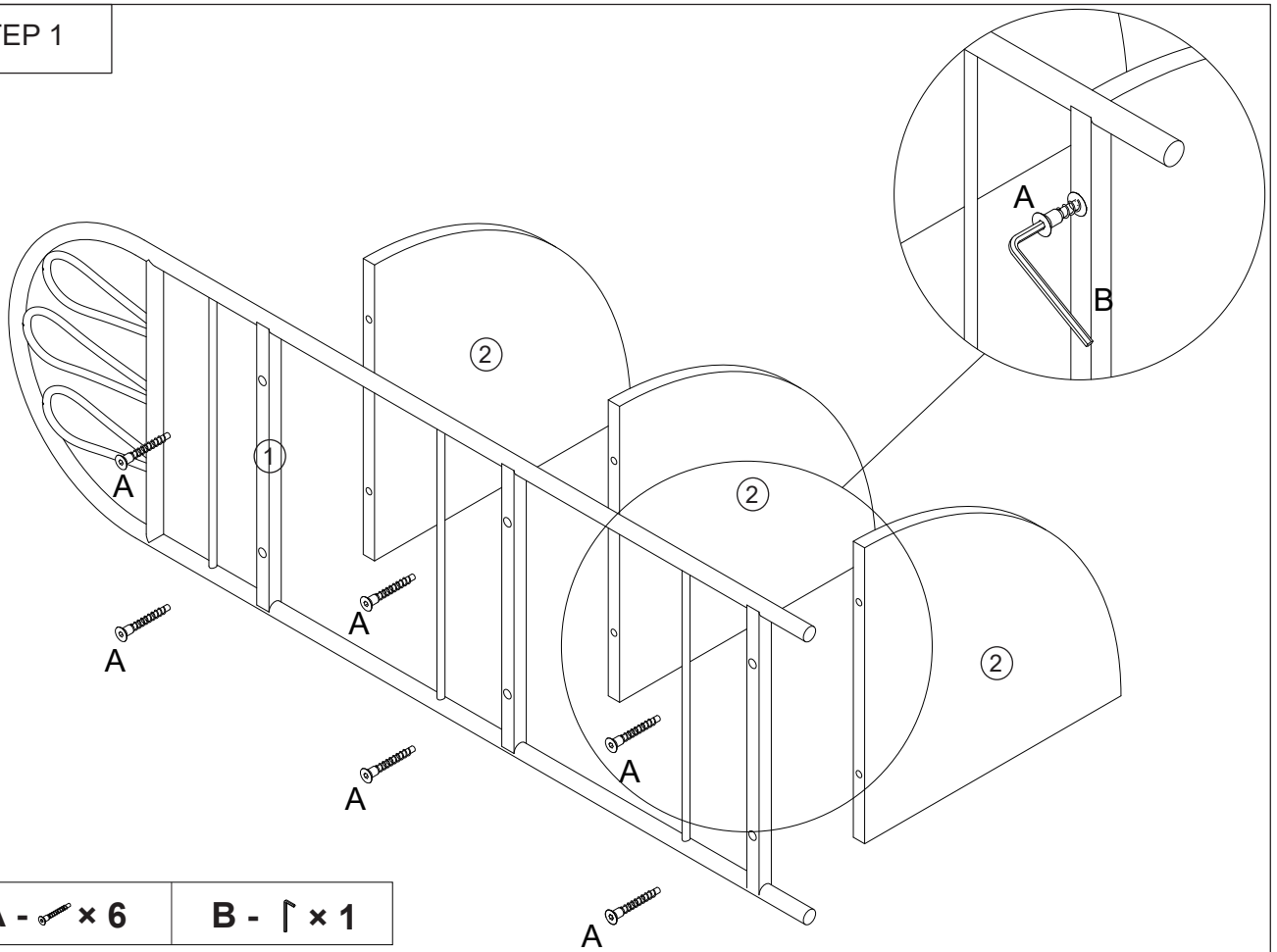
	A	7x40mm	12pcs		B		1pc		C		1pc
	D		1pc		E		1pc		F	4x40mm	1pc

2 Parts List

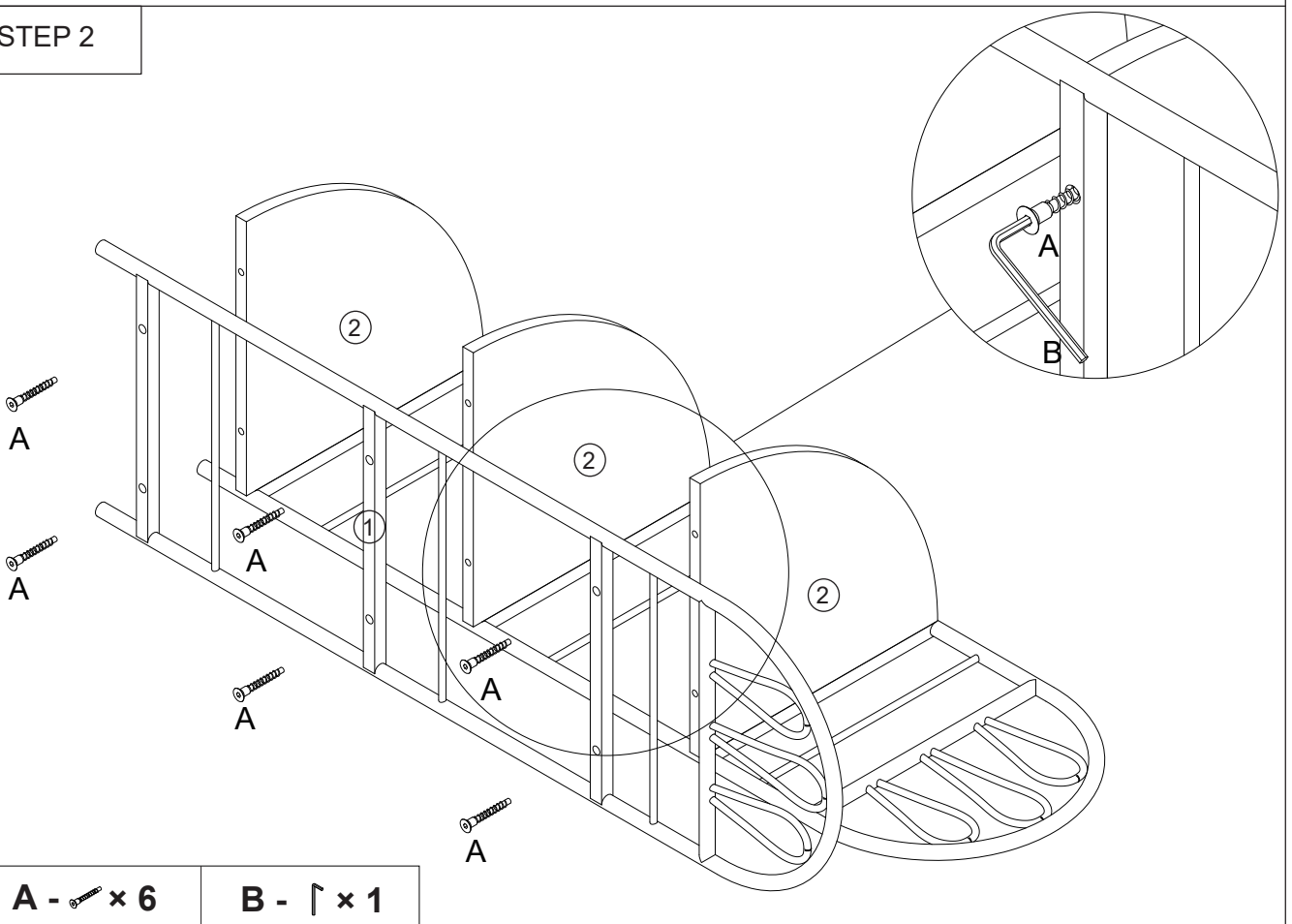
			
①	2pcs	②	3pcs



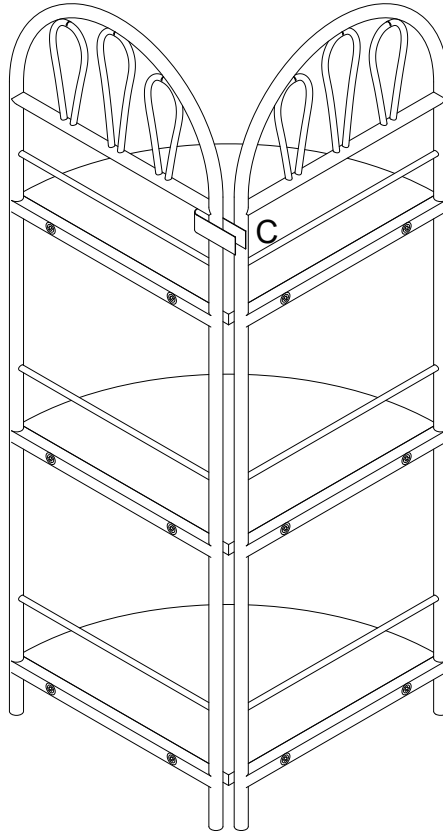
STEP 1



STEP 2

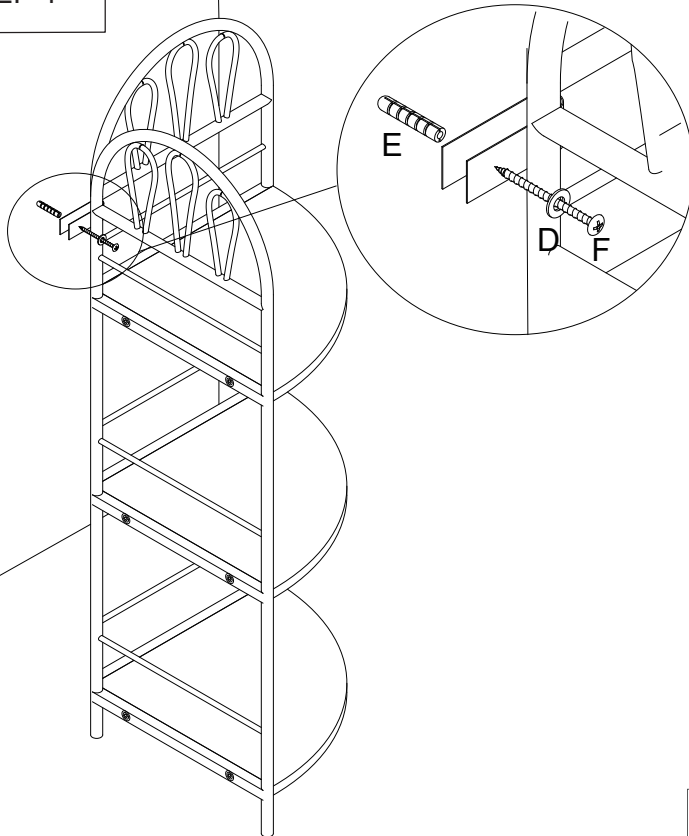


STEP 3



C -  x 1

STEP 4



TOPPLING FURNITURE WARNING:

- It is strongly recommended that this product is permanently fixed to the wall.
- Please seek professional advice if you are in doubt of what fixing device to use.
- Regularly check that anchors are securely maintained.
- Stability of tall items may be affected by thick pile carpet or uneven floors .
- Do not place unanchored televisions on furniture .

CAUTION: for your safety when attaching the anchor fixings, please note the following:

- Check any electrical wires or plumbing inside the wall before drilling any holes (if you are unsure please seek professional advice from a qualified tradesperson).

D -  x 1

E -  x 1

F -  x 1



WARNING: PLEASE SECURE YOUR FURNITURE WITH THE SUPPLIED WALL FIXING. SCAN THE CODE FOR MORE INFORMATION.

