
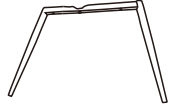

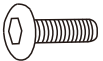
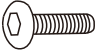





Assembly Instruction S2 HALLIE CHAIRS 43149094

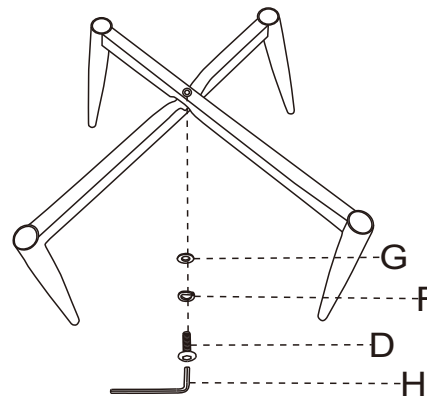
CARE INSTRUCTIONS: WIPE CLEAN WITH A DAMP CLOTH. DO NOT USE ABRASIVE MATERIALS AND SOLVENTS. CHECK AND TIGHTEN ALL PARTS REGULARLY. STORE IN A DRY PLACE. FOR INDOOR AND DOMESTIC USE ONLY.

WARNING: DO NOT STAND ON THIS ITEM. DO NOT USE THIS ITEM AS A STEP LADDER. DO NOT USE IT UNLESS ALL BOLTS, SCREWS AND KNOBS ARE FIRMLY SECURED. SUITABLE FOR ONE PERSON USE ONLY. ONLY USE ON LEVEL AND FLAT FLOOR. FAILURE TO FOLLOW THESE WARNINGS COULD RESULT IN SERIOUS INJURY.

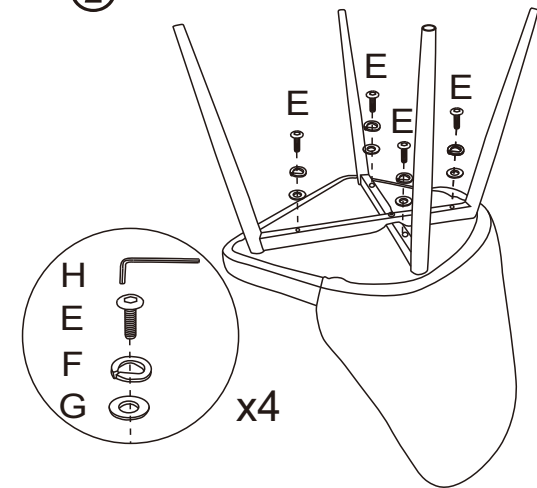
MAXIMUM SAFE LOAD: 100KGS

<p>A×1</p> 	<p>B×1</p> 
<p>C×1</p> 	<p>D×1</p>  <p>M6×30</p>
<p>E×4</p>  <p>M6×50</p>	<p>F×5</p> 
<p>G×5</p> 	<p>H×1</p>  <p>M5</p>

①



②



③

