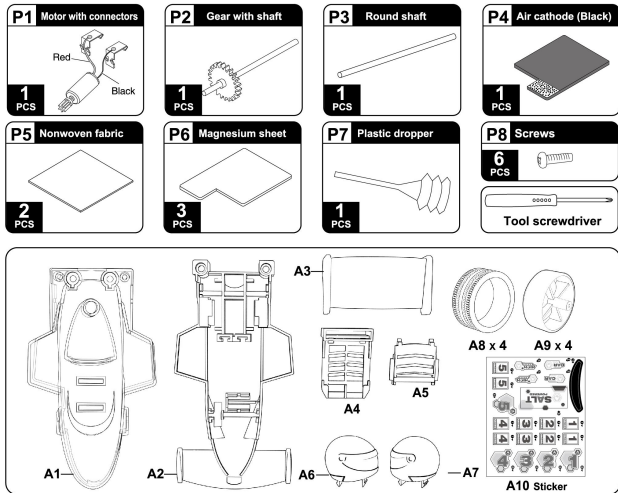


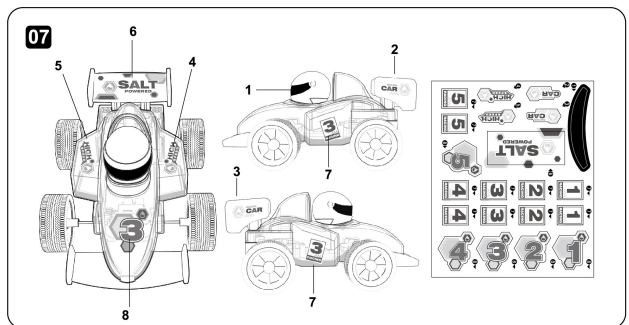
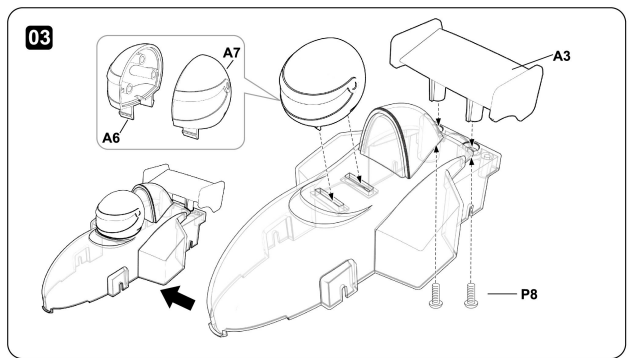
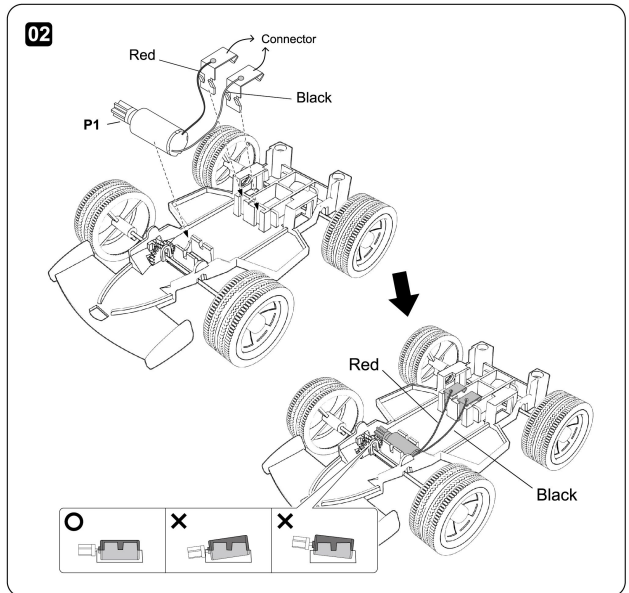
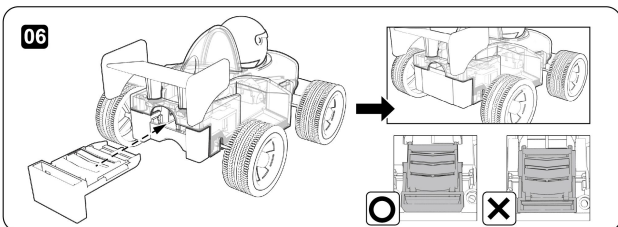
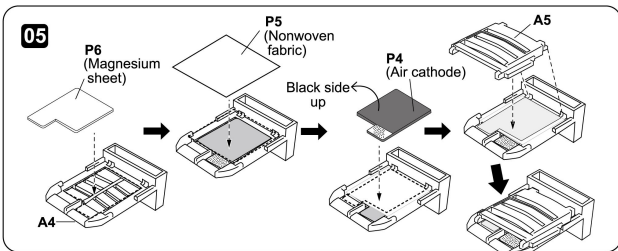
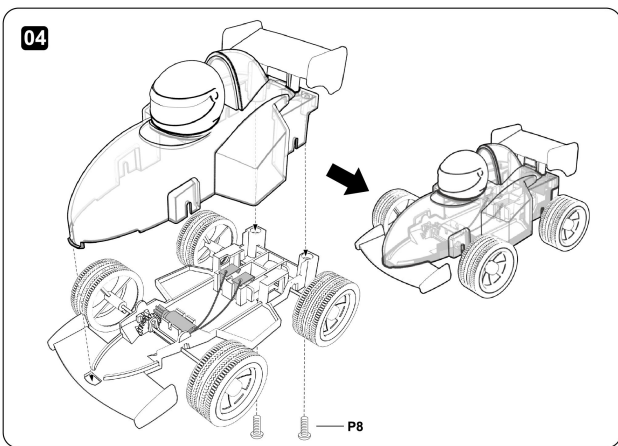
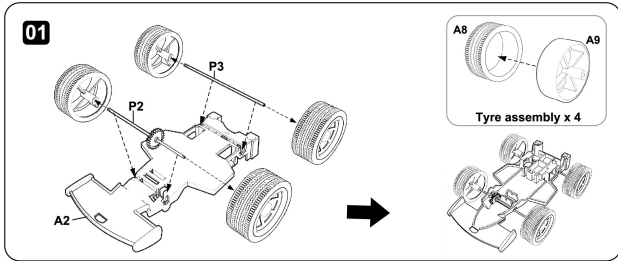
# Salt Water Powered Racing Car

8+ years

## Parts

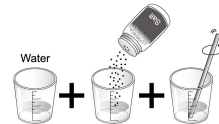


## Assembly Instructions

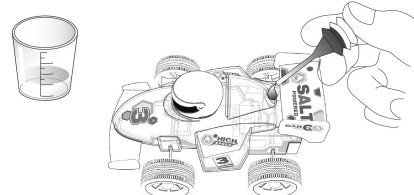


## How to play

How to make salt water solution:  
Add salt to tap water or distilled water in a ratio of 1 (salt) : 3 (water). Any percentage from 20% to 99% salt water is workable, although 20% will be the most effective.



Use the plastic dropper to fill the car with salt water solution as shown below.  
After a period of use (about 15 minutes), the salt water will run out and the car will slow down and stop. Add more salt water to start again.  
Each Magnesium sheet can work for approximately 4 hours, then it will become fragmented. Replace it with a new one and it will work continuously. Kit includes 3 refills.



**WARNING:** FOR SAFETY REASONS, REMOVE ALL TAGS, LABELS, AND PLASTIC FASTENERS BEFORE GIVING THIS TOY TO YOUR CHILD.

MADE IN CHINA. KEYCODE: 43149858

**WARNING!** THIS TOY CONTAINS FUNCTIONAL SHARP EDGE ON METAL PLATE AND CONTAINS FUNCTIONAL SHARP POINT ON THE LEAD.

**WARNING: CHOKING HAZARD**  
SMALL PARTS. NOT FOR CHILDREN UNDER 3 YEARS.

PLEASE KEEP THE PACKAGING FOR FUTURE REFERENCE. PRODUCT MAY VARY SLIGHTLY FROM IMAGE SHOWN.