





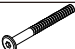
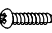
Assembly Instructions








43150472 HAVEN DESK OO

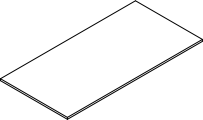
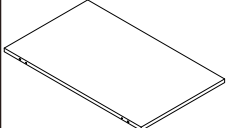
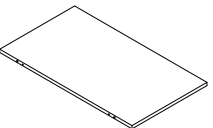
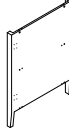
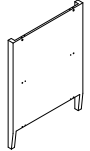
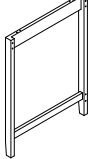
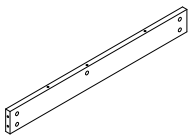
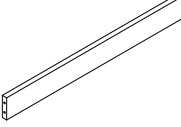
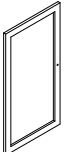

CARE INSTRUCTIONS: WIPE CLEAN WITH A SOFT CLOTH. NEVER USE SCOURERS, ABRASIVES OR CHEMICAL SOLVENTS. KEEP AWAY FROM MOISTURE AND DIRECT SUNLIGHT. STORE IN A DRY PLACE FOR INDOOR USE ONLY.

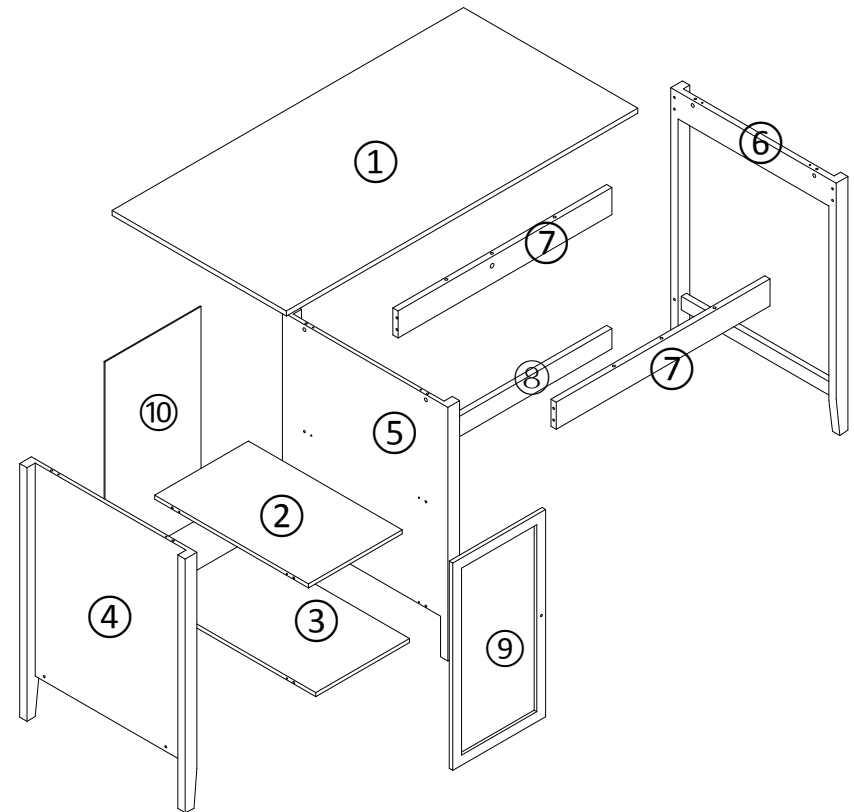
WARNING: DO NOT STAND, SIT OR LEAN ON THE UNIT. DO NOT USE THIS UNIT AS A STEP LADDER. ENSURE THIS UNIT IS USED ONLY ON A FLAT SURFACE. DO NOT USE THIS UNIT UNLESS ALL BOLTS AND SCREWS ARE FIRMLY SECURED. DO NOT PLACE HOT OBJECTS SUCH AS COFFEE CUPS DIRECTLY ON THE SURFACE OF THIS FURNITURE ITEM. THIS ITEM IS FOR STORAGE PURPOSE ONLY. CONTAINS SMALL PARTS. IT IS TO BE ASSEMBLED BY AN ADULT. FAILURE TO FOLLOW THESE WARNINGS COULD RESULT IN SERIOUS INJURY.

MAXIMUM SAFE LOAD: TOP 50KGS,SHELF 5KGS/LAYER.

	a	6x35mm	12pcs
	b	15x9mm	12pcs
	c	4x12mm	12pcs
	d	6x30mm	18pcs
	e	6x70mm	12pcs
	f		1pc


	g		1pcs
	h		2pcs
	i	6x60mm	4pcs
	j		16pcs
	k	2x16mm	15pcs
	l	Ø20	1pc
	m		10pcs

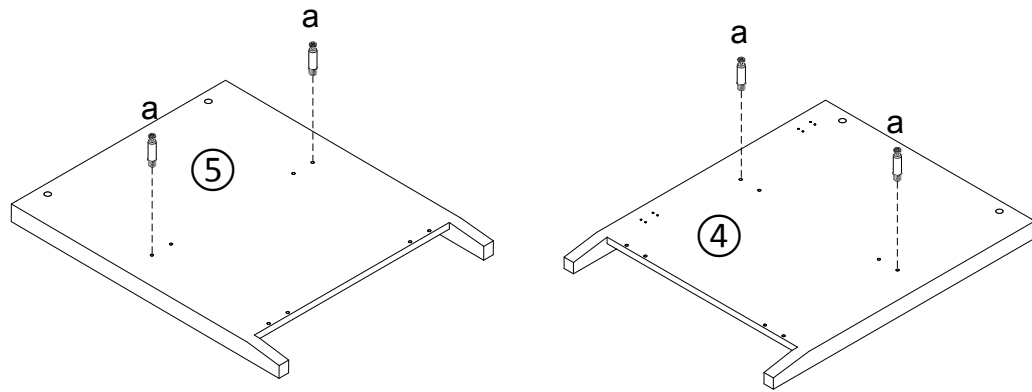
			
① 1pc	② 1pc	③ 1pc	④ 1pc
			
⑤ 1pc	⑥ 1pc	⑦ 2pcs	⑧ 1pc
			
⑨ 1pc	⑩ 1pc		




Do not tighten the screws
Fully tighten screws after the final assembly steps

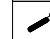
step 1

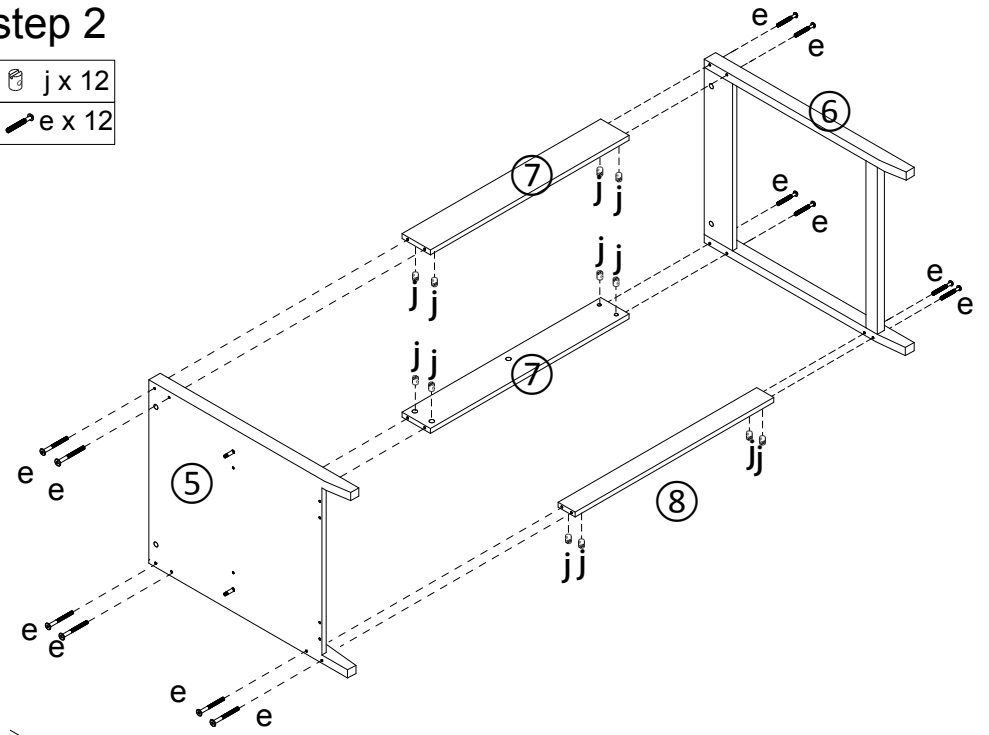
 a x 4




step 2


 j x 12


 e x 12




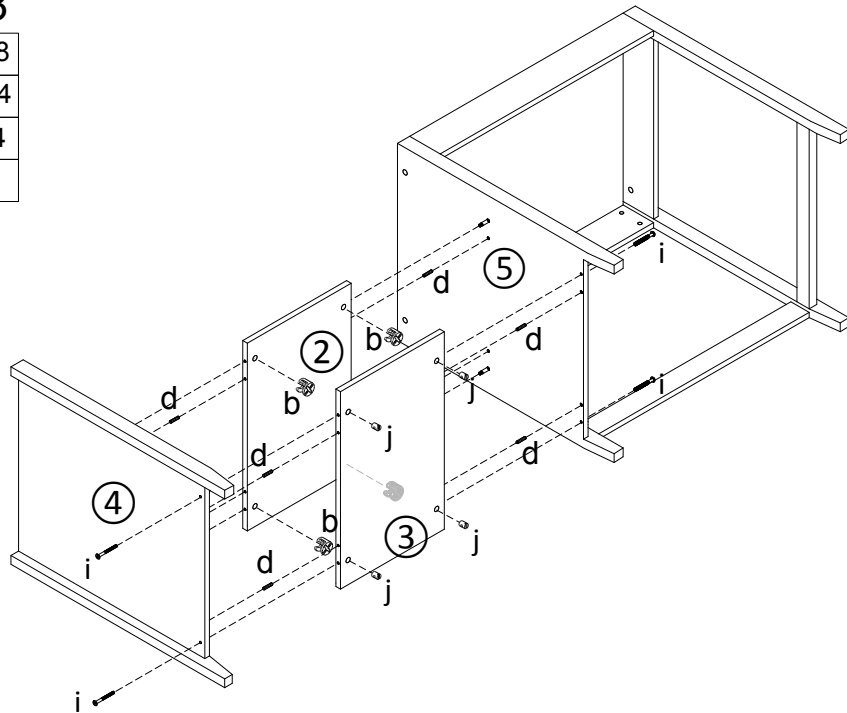
step 3

 d x 8


 b x 4

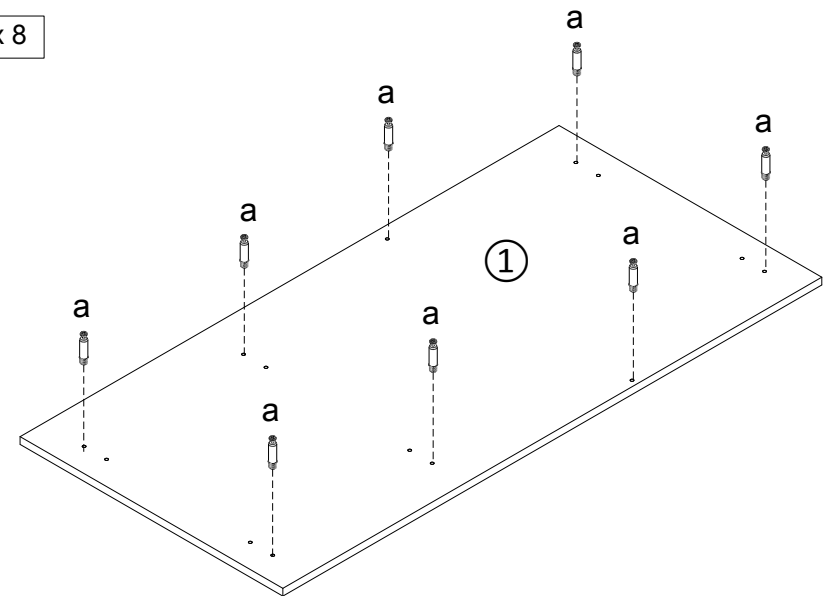
 j x 4

 i x 4





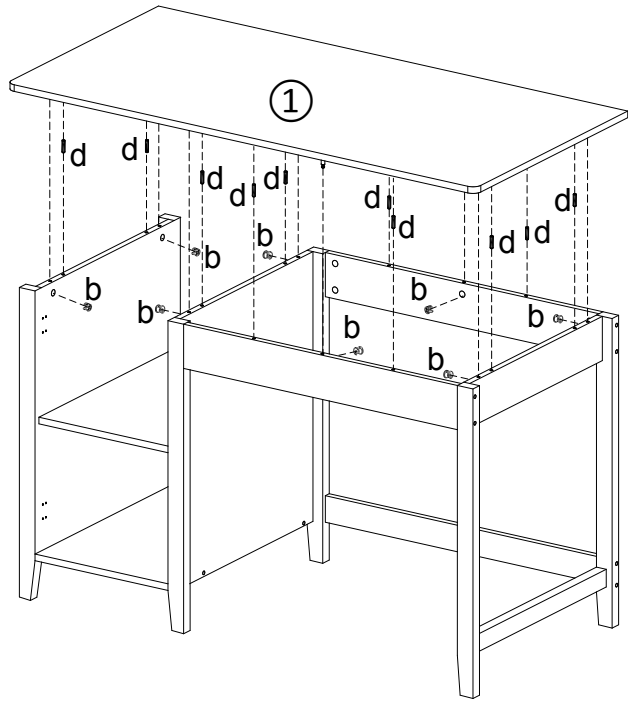
step 4

 a x 8


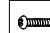
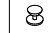




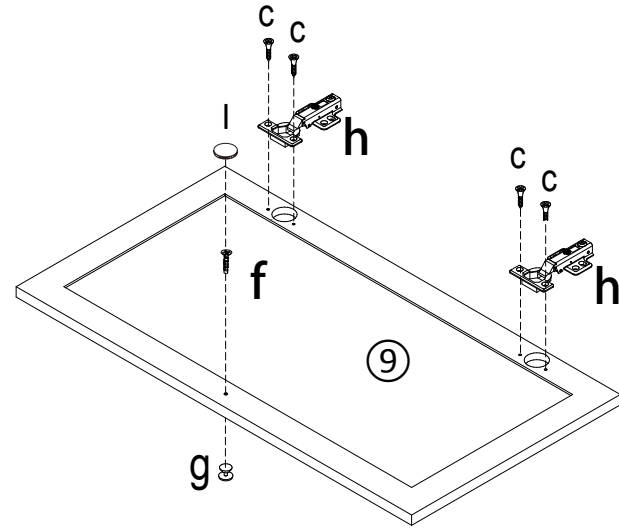
step 5

-  d x 10
-  b x 8

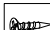



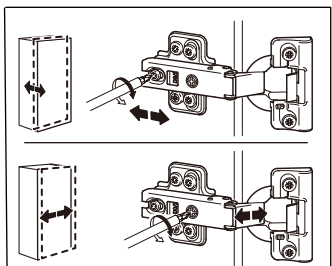
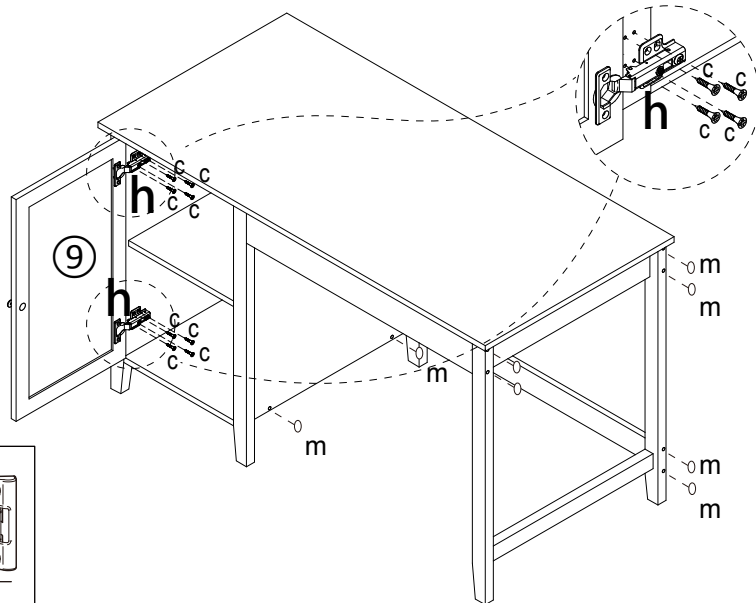
step 6

-  c x 4
-  f x 1
-  g x 1
-  h x 2
-  l x 1





step 7

-  c x 8
-  m x 8



step 8

-  k x 15
-  m x 2

