

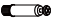


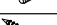







Assembly Instructions





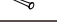

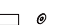

KC43150533 OAK DISPLAY CABINET TALL OO

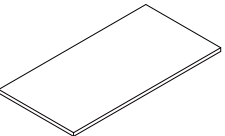
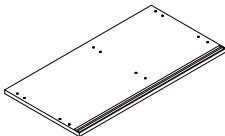
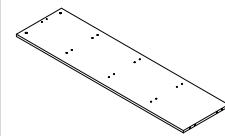
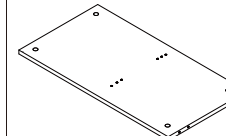
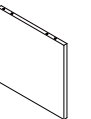
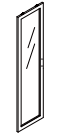

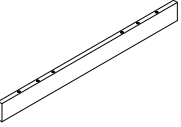
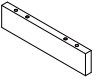
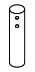

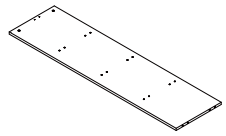



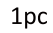
CARE INSTRUCTIONS: WIPE CLEAN WITH A SOFT CLOTH. NEVER USE SCOURERS, ABRASIVES OR CHEMICAL SOLVENTS. KEEP AWAY FROM MOISTURE AND DIRECT SUNLIGHT. STORE IN A DRY PLACE FOR INDOOR USE ONLY.

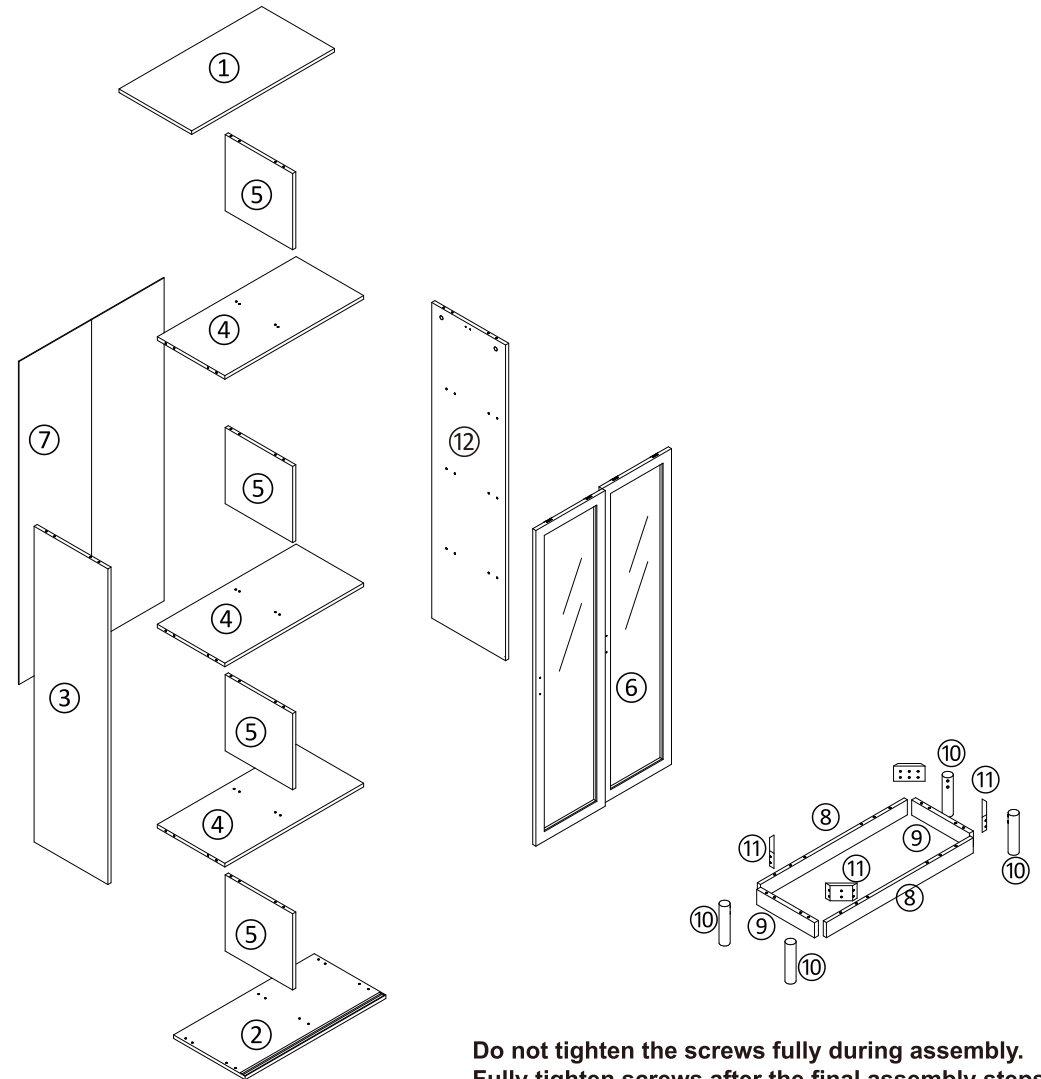
WARNING: DO NOT STAND, SIT OR LEAN ON THE UNIT. DO NOT USE THIS UNIT AS A STEP LADDER. ENSURE THIS UNIT IS USED ONLY ON A FLAT SURFACE. DO NOT USE THIS UNIT UNLESS ALL BOLTS AND SCREWS ARE FIRMLY SECURED. DO NOT PLACE HOT OBJECTS SUCH AS COFFEE CUPS DIRECTLY ON THE SURFACE OF THIS FURNITURE ITEM. THIS ITEM IS FOR STORAGE PURPOSE ONLY. CONTAINS SMALL PARTS. IT IS TO BE ASSEMBLED BY AN ADULT. FAILURE TO FOLLOW THESE WARNINGS COULD RESULT IN SERIOUS INJURY.

MAXIMUM SAFE LOAD: 10KGS FOR TOP, 10KGS FOR EACH LAYER.

	a	M6x35	24pcs
	b	15x9	24pcs
	c	M6x30	32pcs
	d	M4x50	12pcs
	e	M6x50	6pcs
	f	M5x50	6pcs
	g	M4x25	20pcs
	h	M3x14	40pcs
	i		1pc
	j		3pcs
	k		2pcs

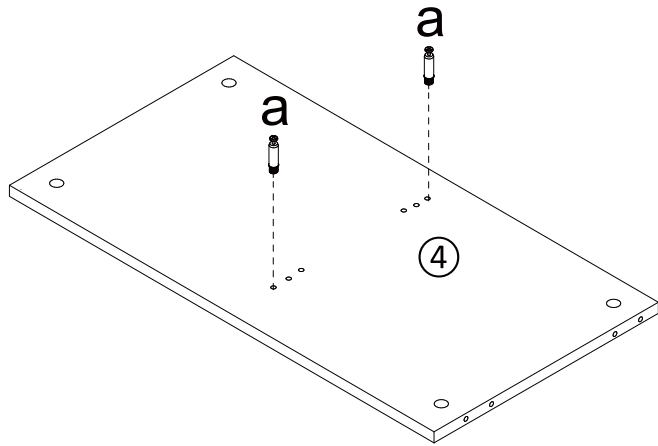
	l	M6x55	8pcs
	m		8pcs
	n	M2x16	20pcs
	o		2pcs
	p	M4x35	6pcs
	q		4pcs
	r		4pcs
	s		2pcs

			
①	1pc	②	1pc
			
⑤	4 pcs	⑥	2pcs
			
⑨	2pcs	⑩	4pcs
			
⑪	4pcs	⑫	1pc



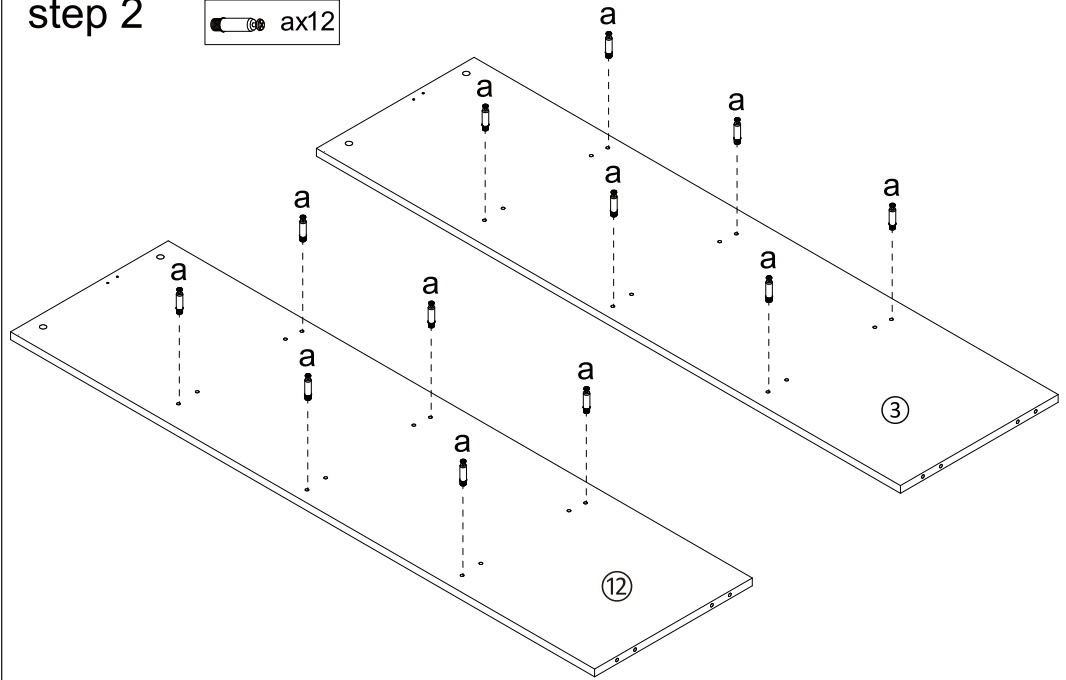
Do not tighten the screws fully during assembly. Fully tighten screws after the final assembly steps.

step 1  ax6

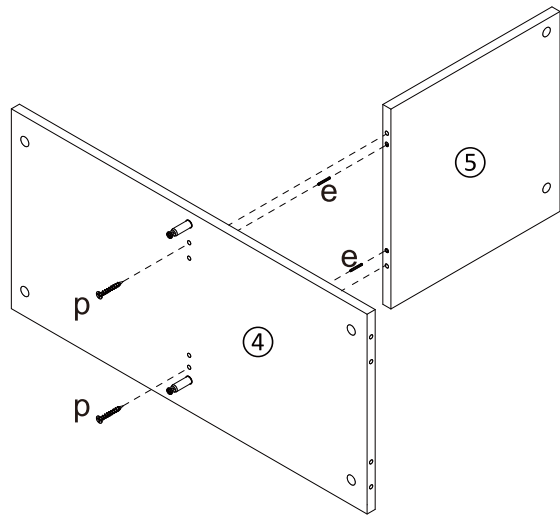


x3

step 2  ax12

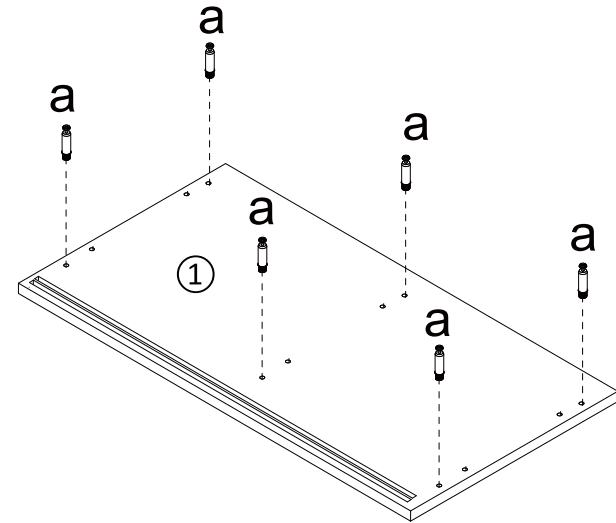


step 3  px6  ex6

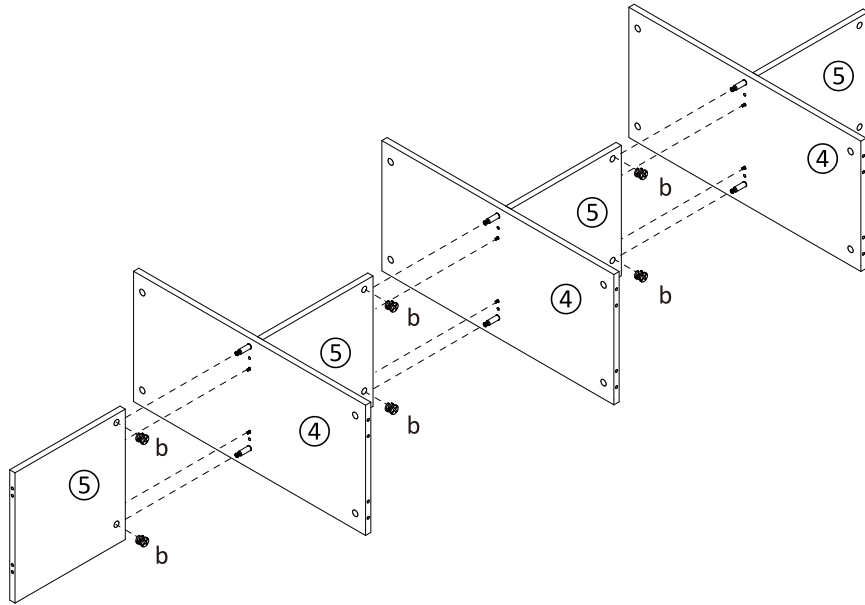


x3

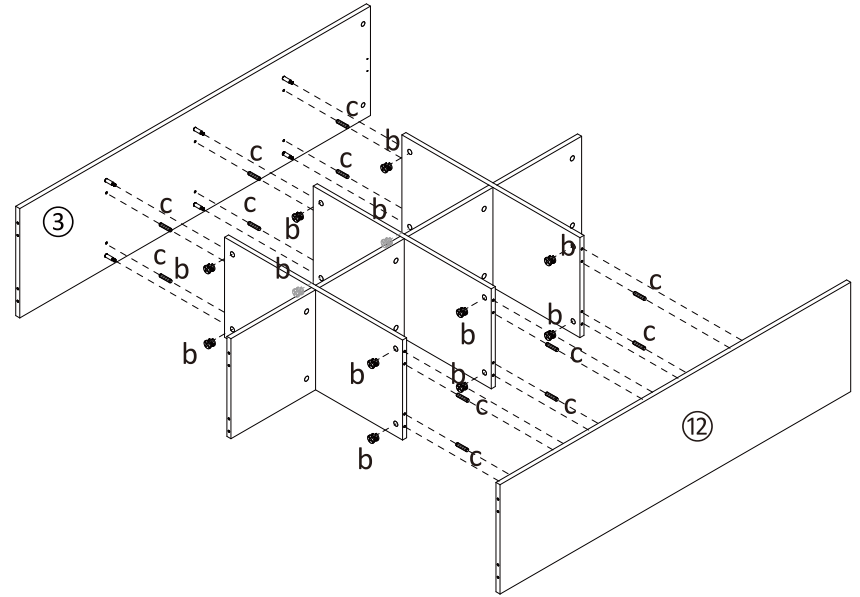
step 4  ax6







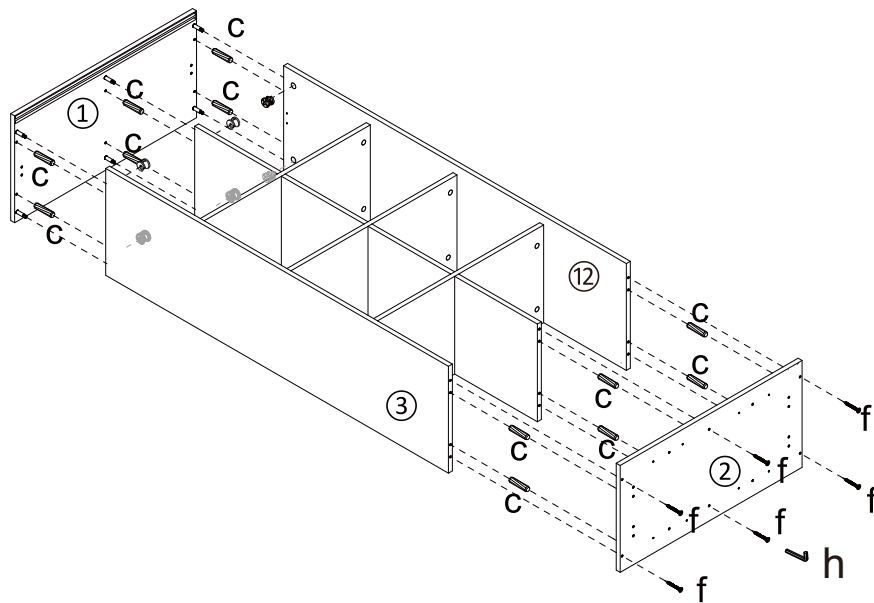
step 5  bx6







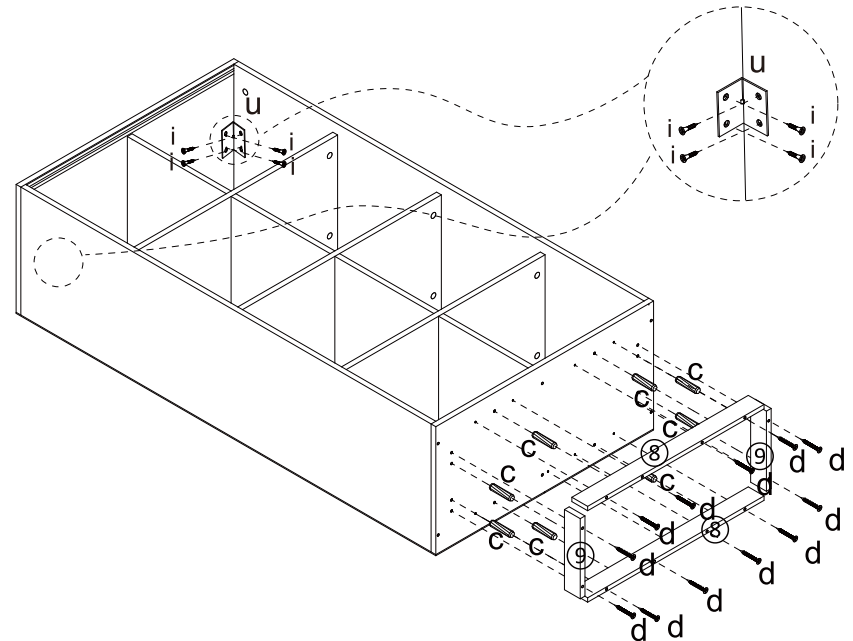
step 6  cx12  bx12



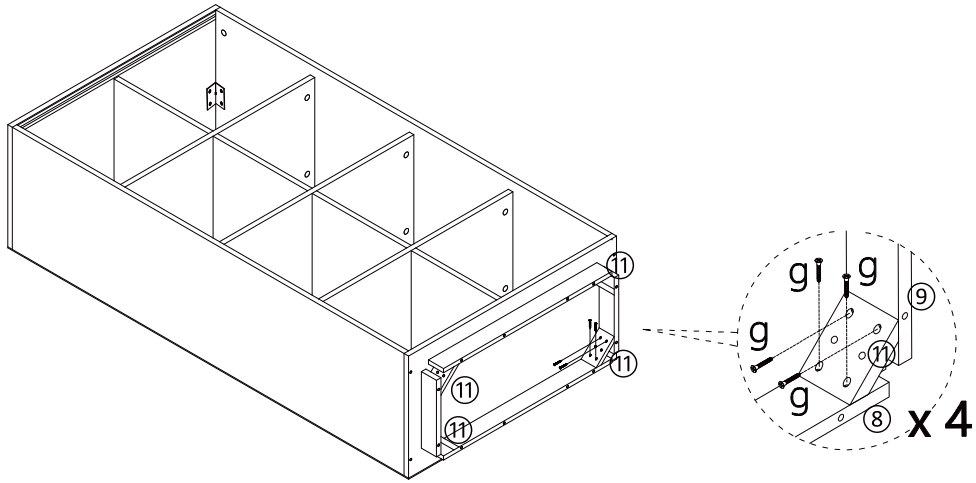
step 7  cx12  fx6  bx6  hx1



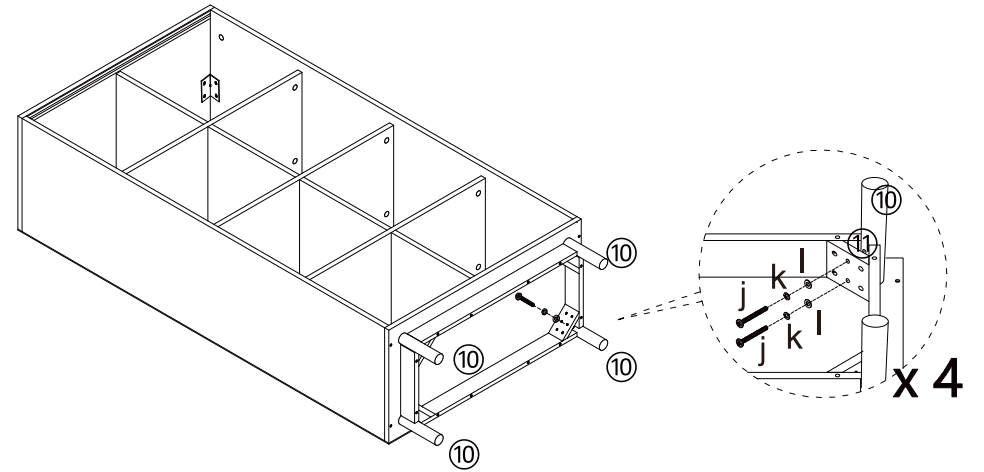
step 8  cx8  dx12  i x8  u x 2





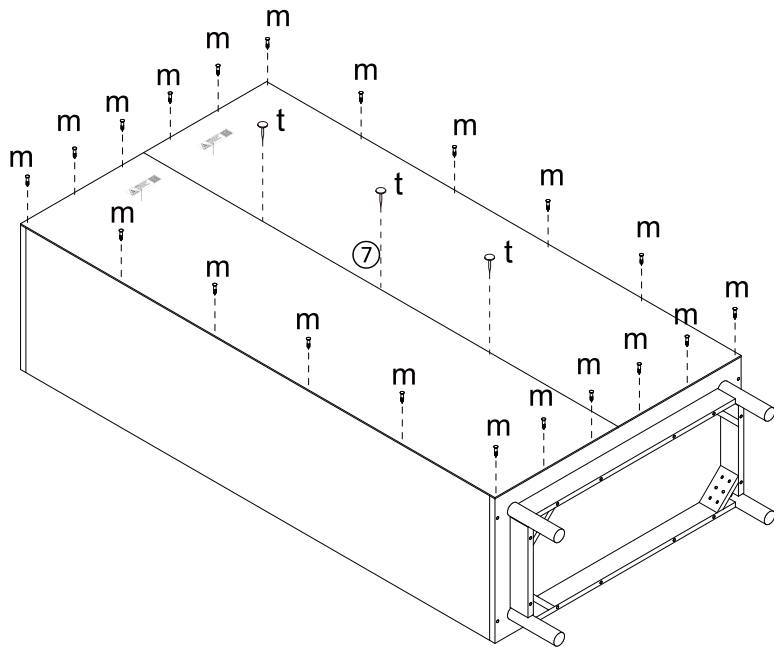
step 9  gx16






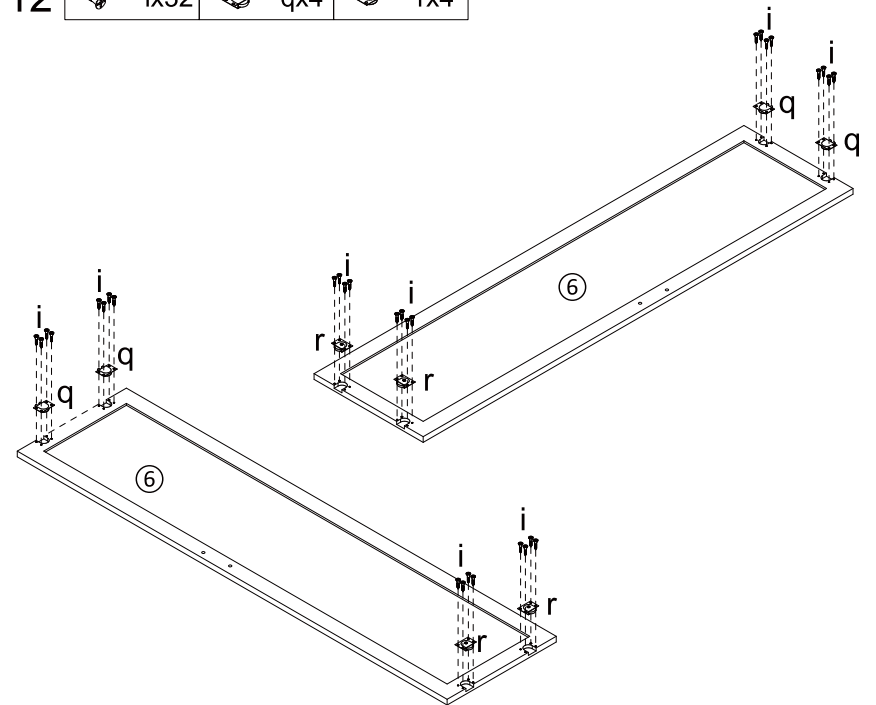
step 10  Kx8  Lx8  Jx8



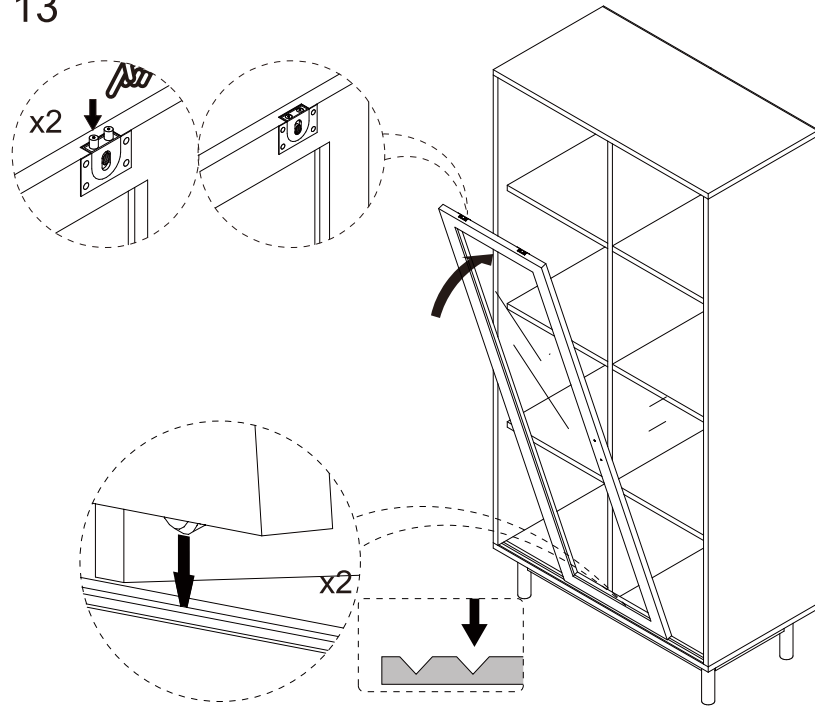
step 11  mx20  tx3



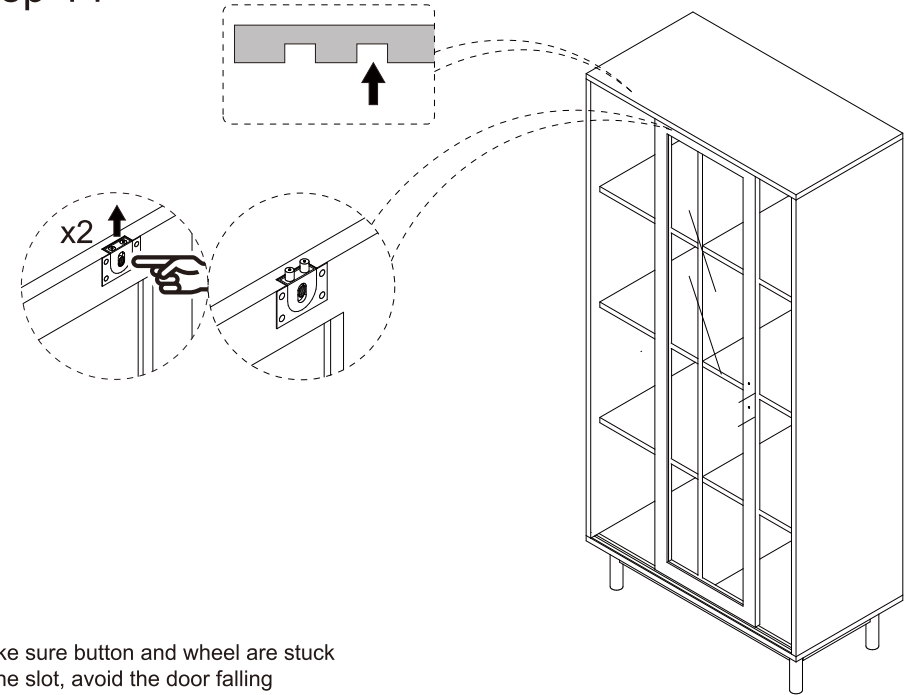
step 12  ix32  qx4  rx4



step 13

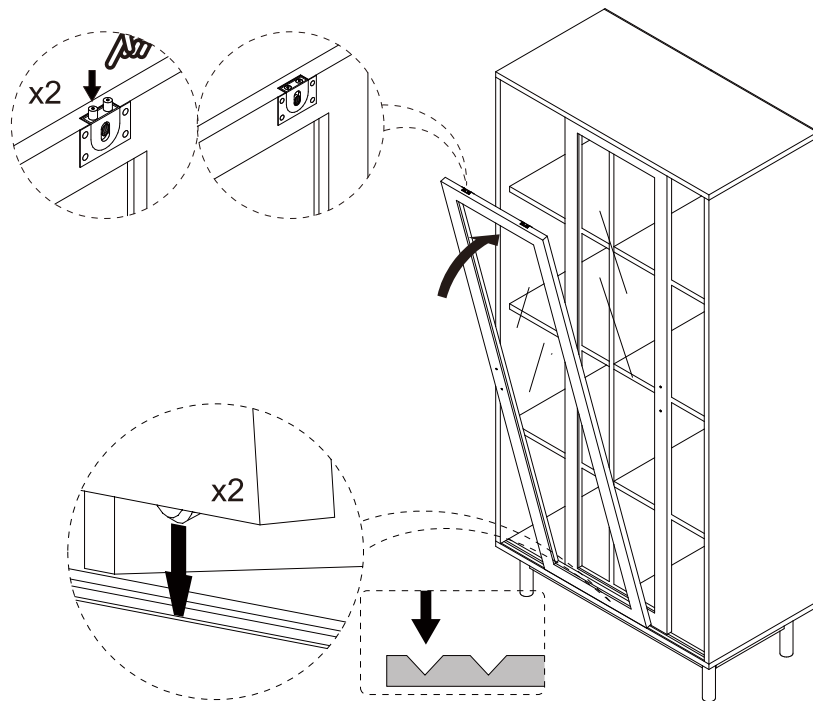


step 14

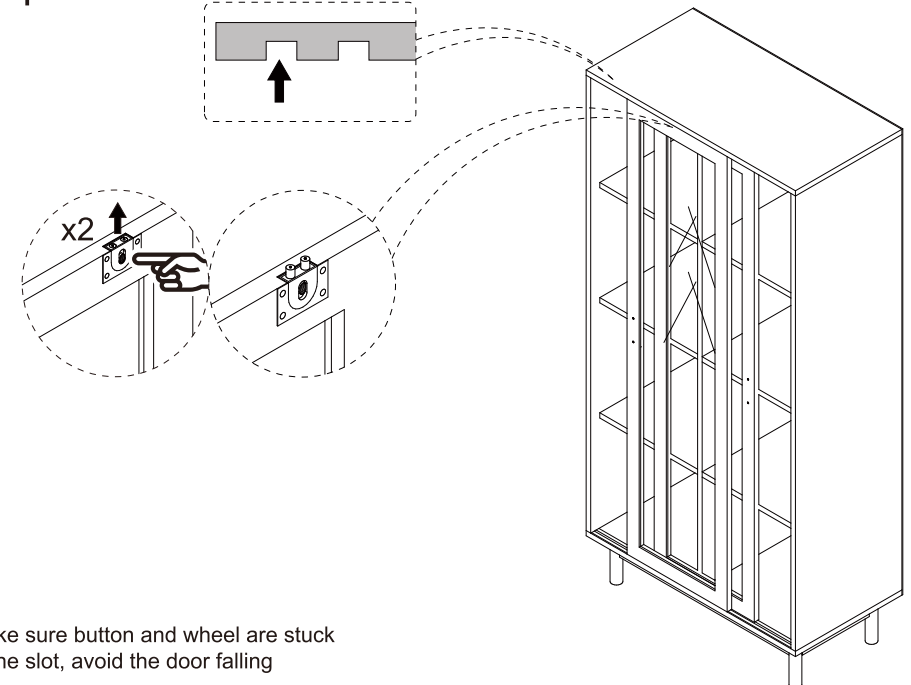


Make sure button and wheel are stuck in the slot, avoid the door falling

step 15

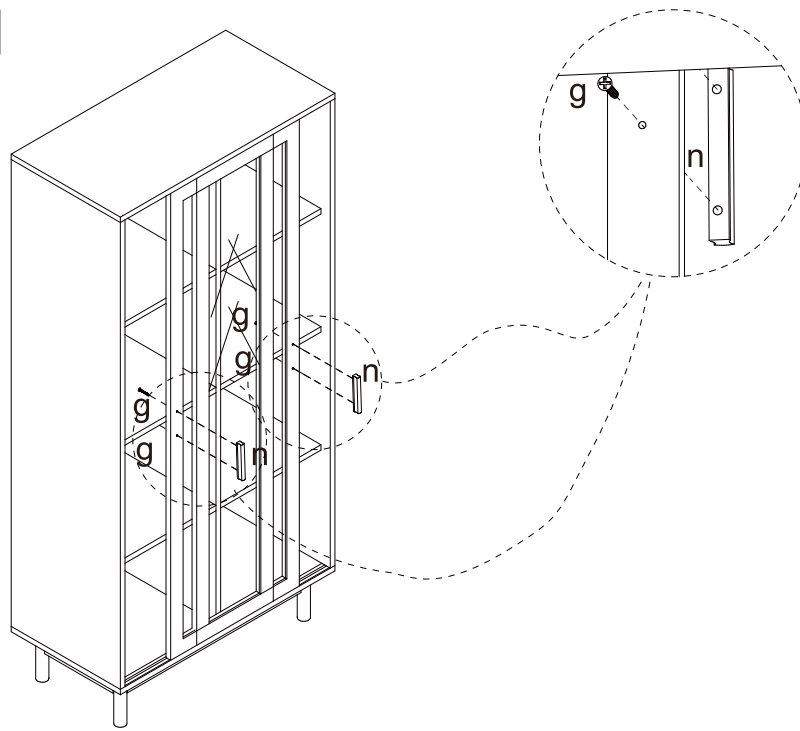
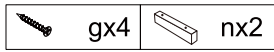


step 16

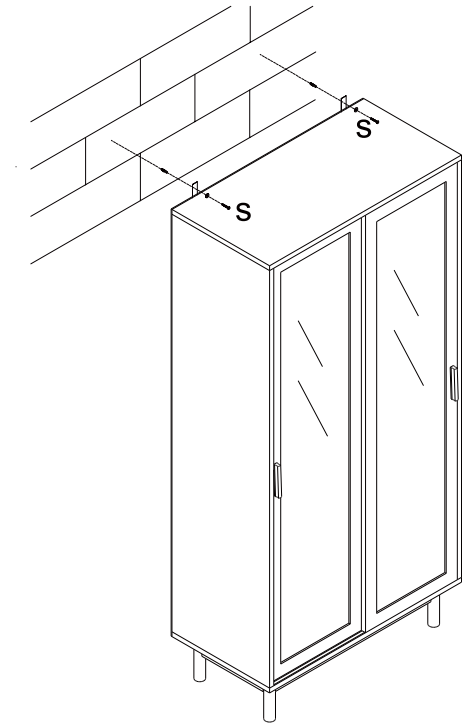
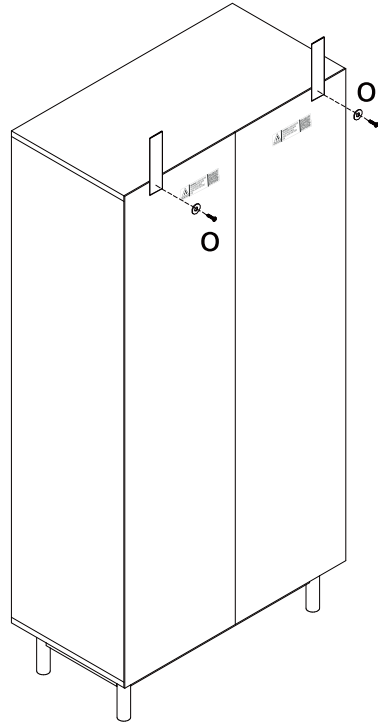
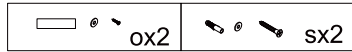


Make sure button and wheel are stuck in the slot, avoid the door falling

step 17



step 18



USER INSTRUCTION FOR WALL ANCHOR:

IT IS STRONGLY RECOMMENDED THAT THIS PRODUCT IS PERMANENTLY FIXED TO THE WALL. PLEASE SEEK PROFESSIONAL ADVICE IF YOU ARE IN DOUBT OF WHAT FIXING DEVICE TO USE. REGULARLY CHECK THAT ANCHORS ARE SECURELY MAINTAINED. CAUTION: FOR YOUR SAFETY WHEN ATTACHING THE ANCHOR FIXINGS, PLEASE NOTE THE FOLLOWING: CHECK ANY ELECTRICAL WIRES OR PLUMBING INSIDE THE WALL BEFORE DRILLING ANY HOLES (IF YOU ARE UNSURE PLEASE SEEK PROFESSIONAL ADVICE FROM A QUALIFIED TRADESPERSON)



WARNING: PLEASE SECURE YOUR FURNITURE WITH THE SUPPLIED WALL FIXING. SCAN THE CODE FOR

