











Assembly Instructions




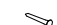






43150540/OAK DISPLAY CABINET SHORT OO

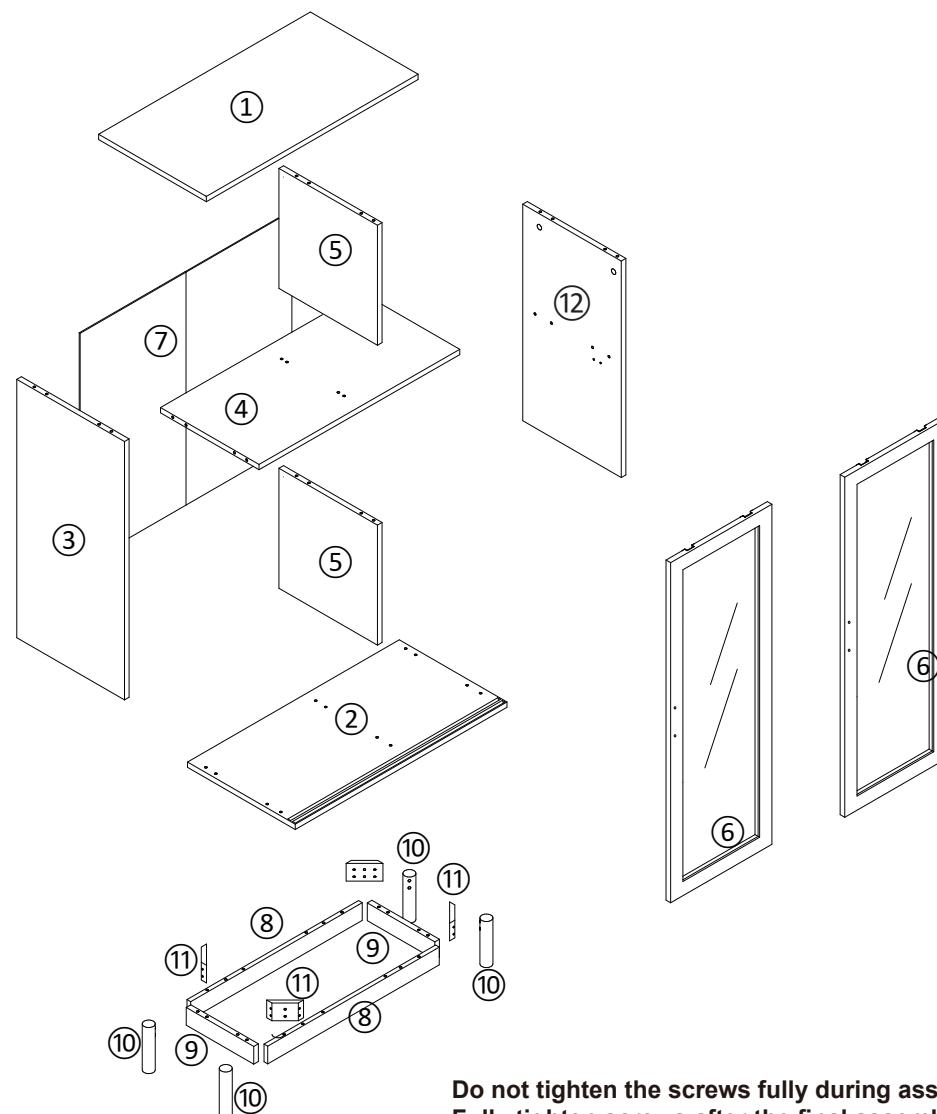
CARE INSTRUCTIONS: WIPE CLEAN WITH A SOFT CLOTH. NEVER USE SCOURERS, ABRASIVES OR CHEMICAL SOLVENTS. KEEP AWAY FROM MOISTURE AND DIRECT SUNLIGHT. STORE IN A DRY PLACE FOR INDOOR USE ONLY.

WARNING: DO NOT STAND, SIT OR LEAN ON THE UNIT. DO NOT USE THIS UNIT AS A STEP LADDER. ENSURE THIS UNIT IS USED ONLY ON A FLAT SURFACE. DO NOT USE THIS UNIT UNLESS ALL BOLTS AND SCREWS ARE FIRMLY SECURED. DO NOT PLACE HOT OBJECTS SUCH AS COFFEE CUPS DIRECTLY ON THE SURFACE OF THIS FURNITURE ITEM. THIS ITEM IS FOR STORAGE PURPOSE ONLY. CONTAINS SMALL PARTS. IT IS TO BE ASSEMBLED BY AN ADULT. FAILURE TO FOLLOW THESE WARNINGS COULD RESULT IN SERIOUS INJURY.

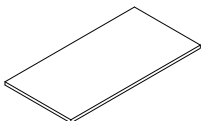
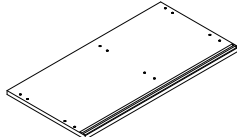
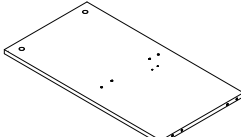
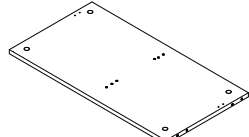
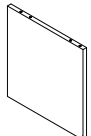
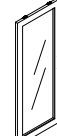
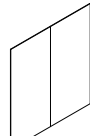
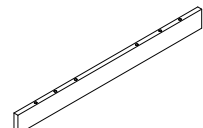
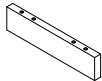

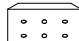
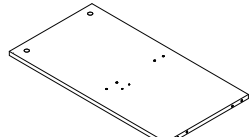




MAXIMUM SAFE LOAD: 10KGS FOR TOP, 10KGS FOR EACH LAYER.

	a	M6x35	12 pcs
	b	15x9	12 pcs
	c	M6x30	24 pcs
	d	M4x50	12 pcs
	e	M6x50	2 pcs
	f	M5x50	6 pcs
	g	M4x25	18 pcs
	i	M3x14	40 pcs
	t		1 pc
	u		2 pcs

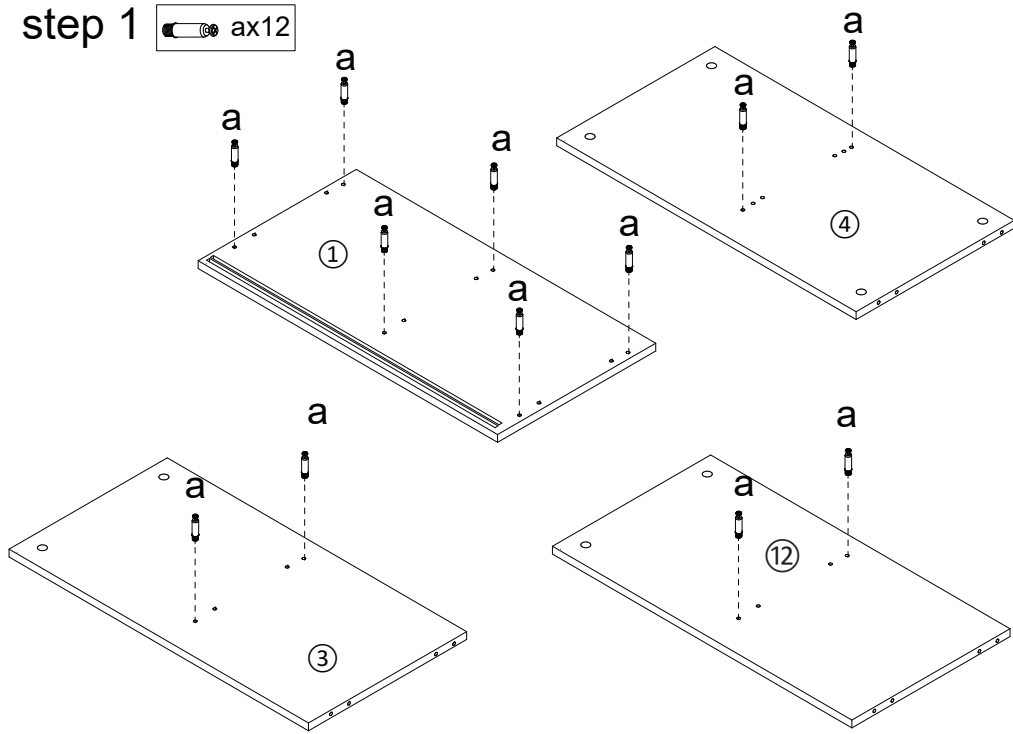
	j	M6x55	8 pcs
	k		8 pcs
	l		8 pcs
	m	M2x16	16 pcs
	n		2 pcs
	o		2 pcs
	p	M4x35	2 pcs
	q		4 pcs
	r		4 pcs
	s		2 pcs






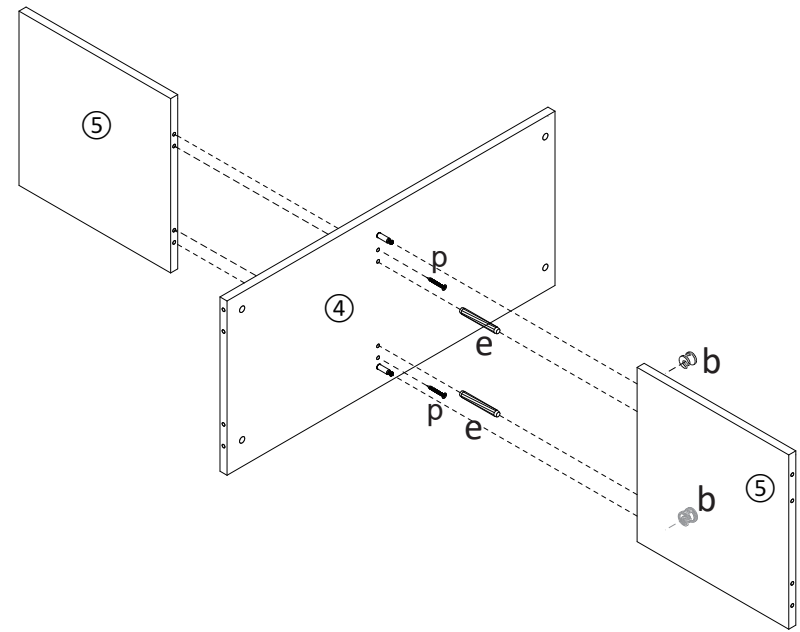
Do not tighten the screws fully during assembly. Fully tighten screws after the final assembly steps

			
①	1 pc	②	1 pc
			
⑤	2 pcs	⑥	2 pcs
			
⑨	2 pcs	⑩	4 pcs
			
⑪	4 pcs	⑫	1 pc

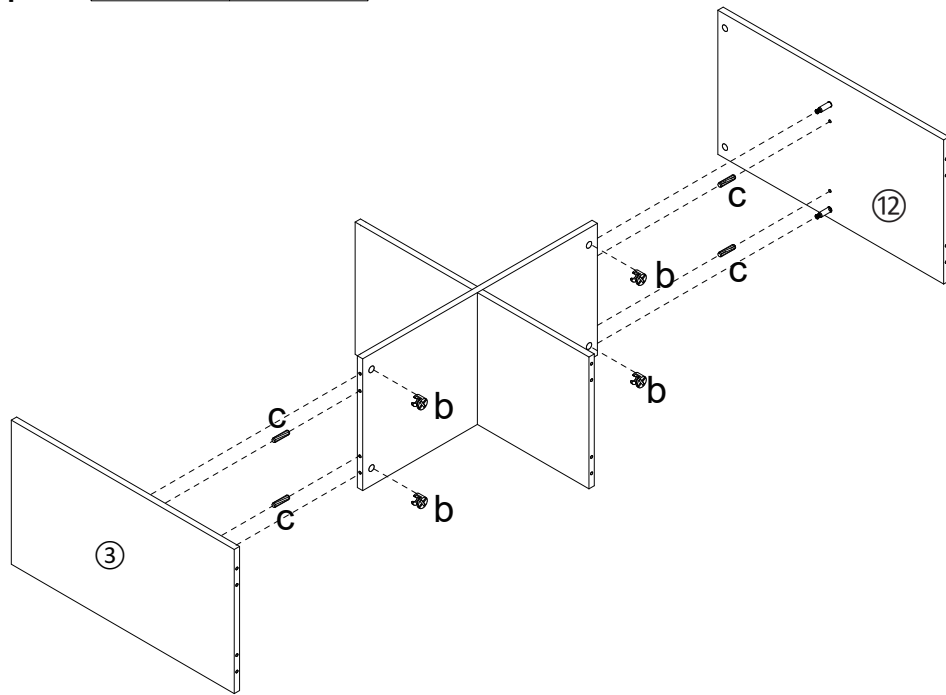
step 1  ax12






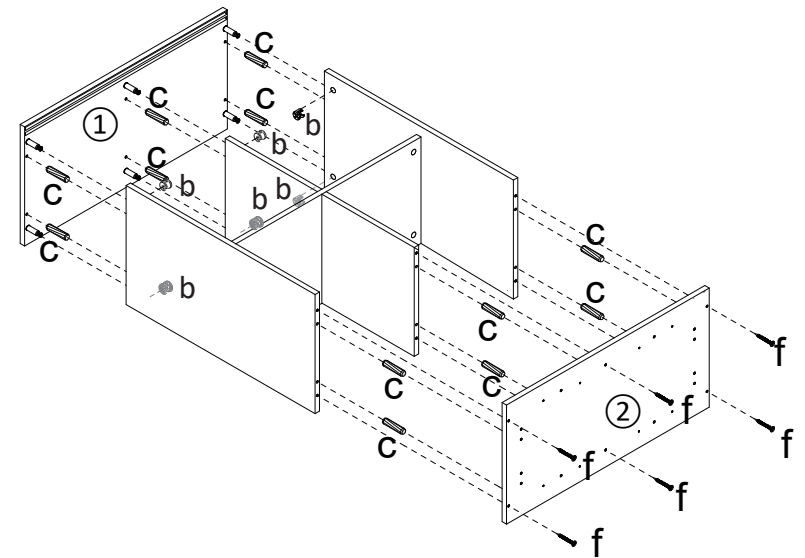
step 2  bx2  ex2  px2



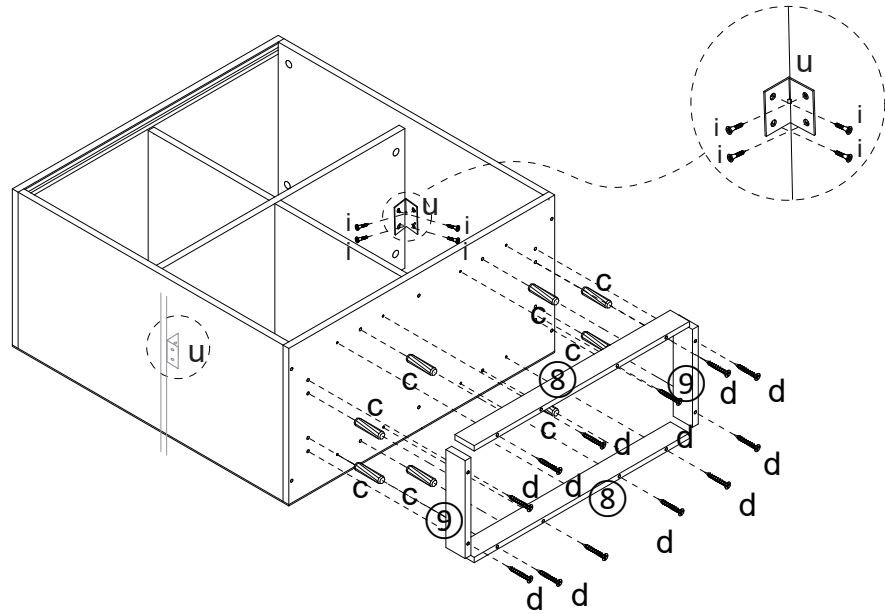
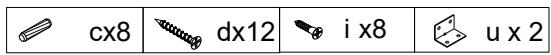
step 3  cx4  bx4



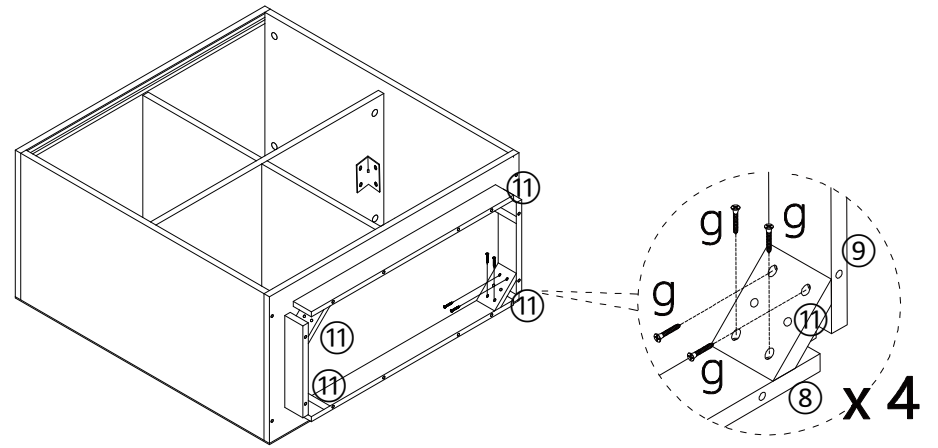
step 4  cx12  fx6  bx6



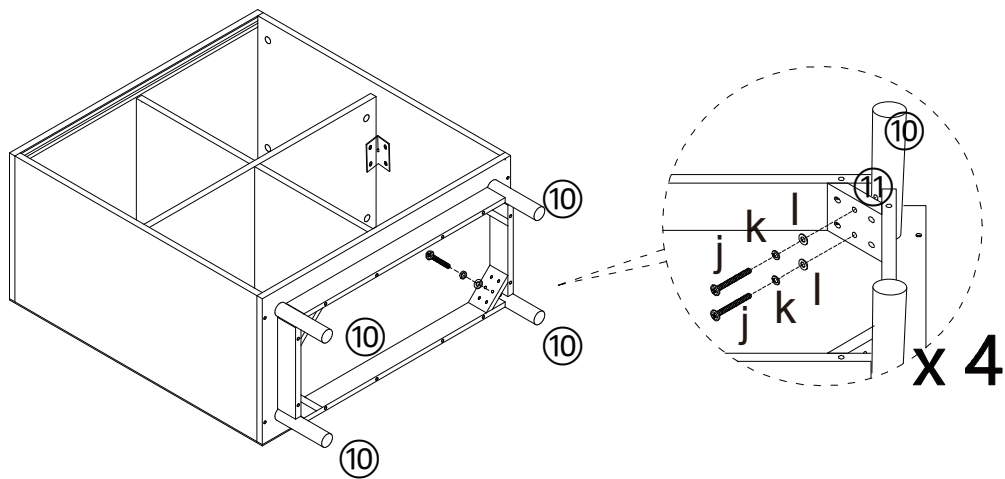
step 5



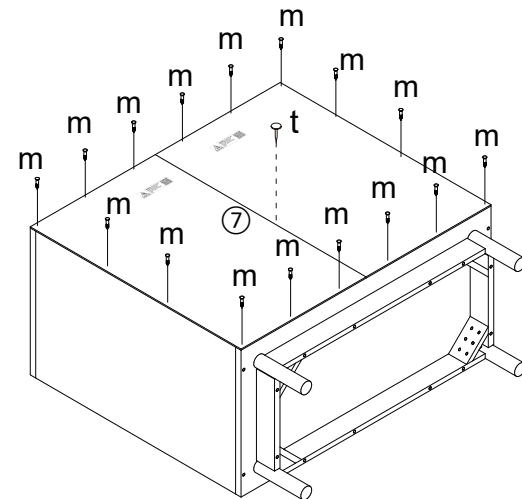
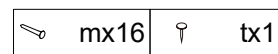
step 6




step 7

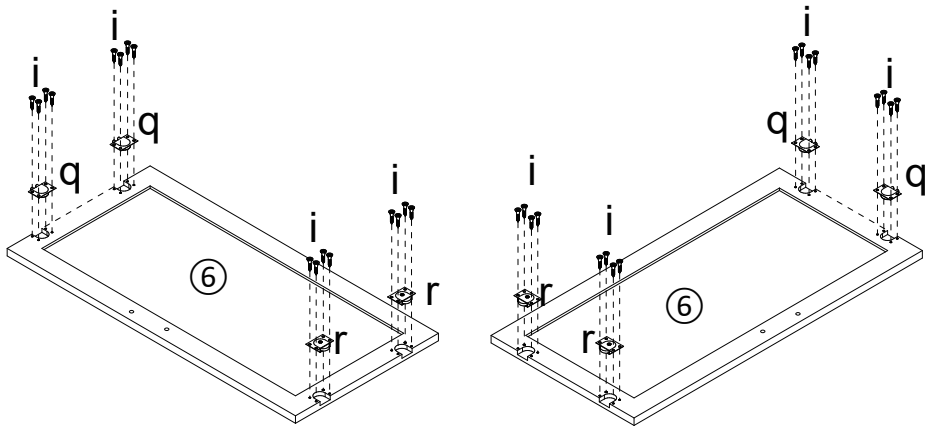


step 8

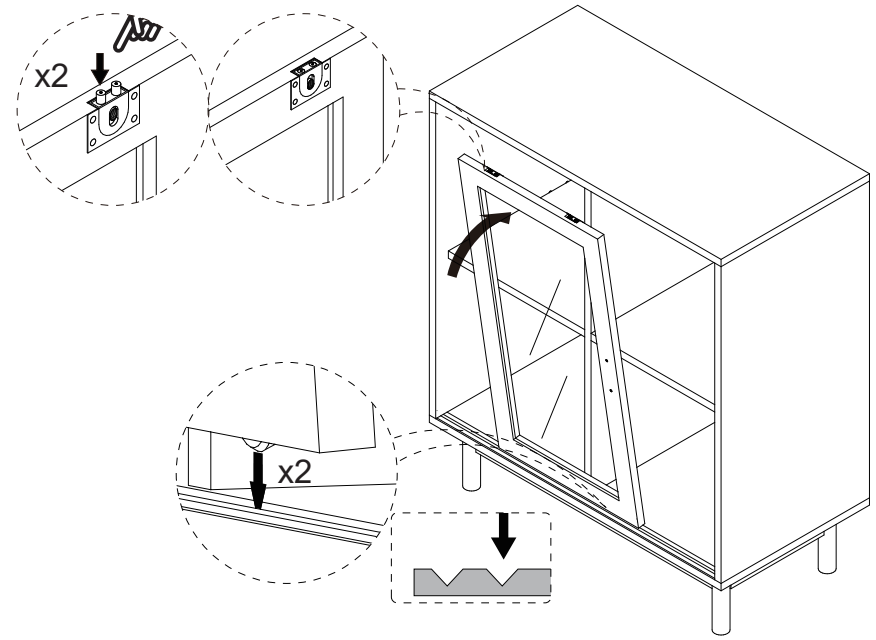


step 9

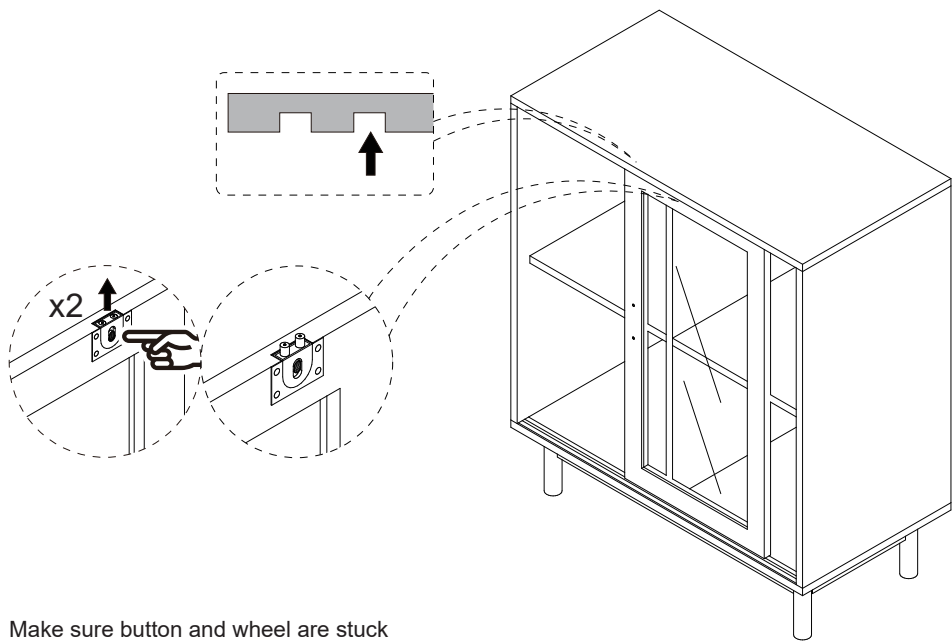
 ix32  qx4  rx4



step 10

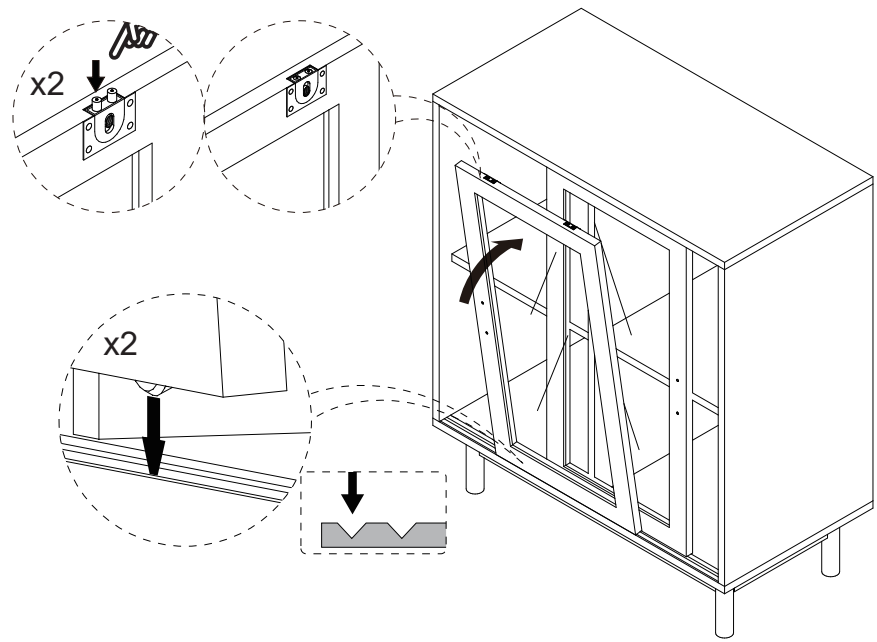


step 11

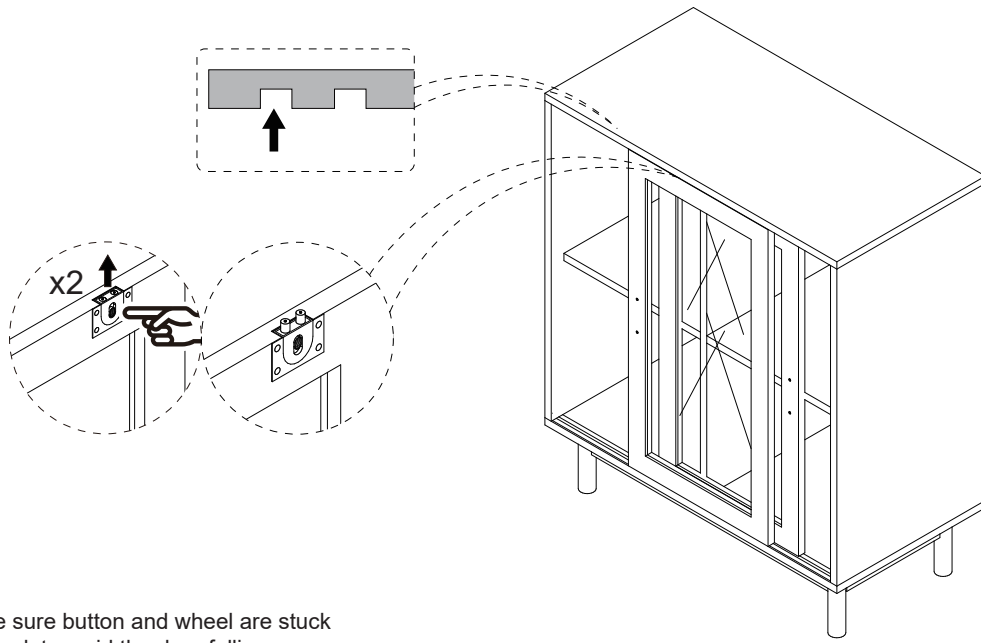


Make sure button and wheel are stuck in the slot, avoid the door falling

step 12

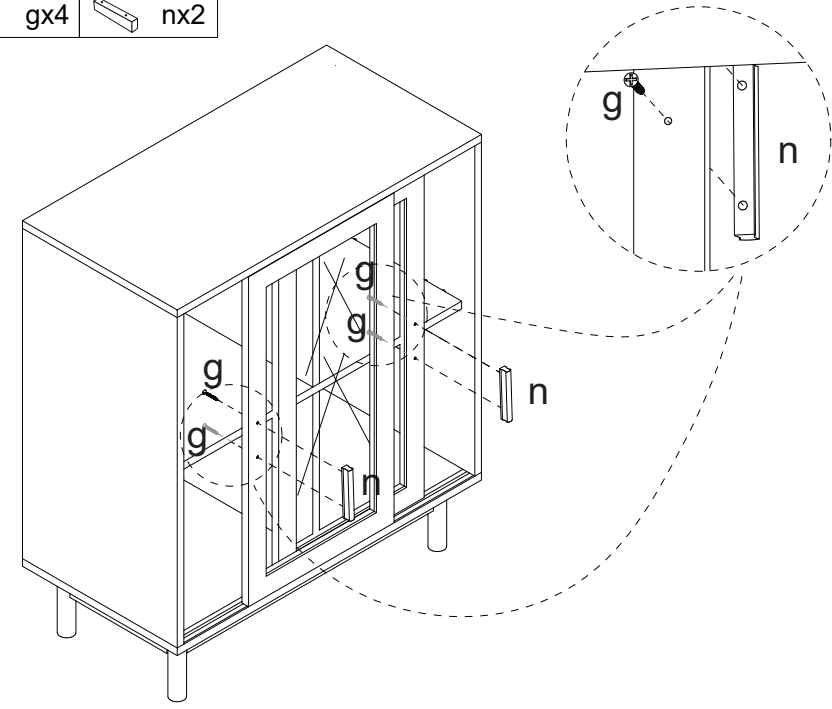
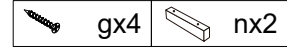


step 13

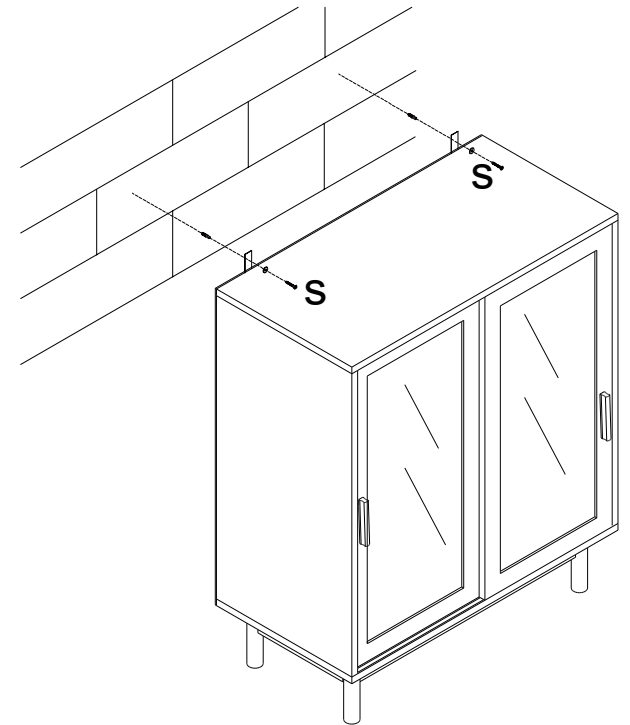
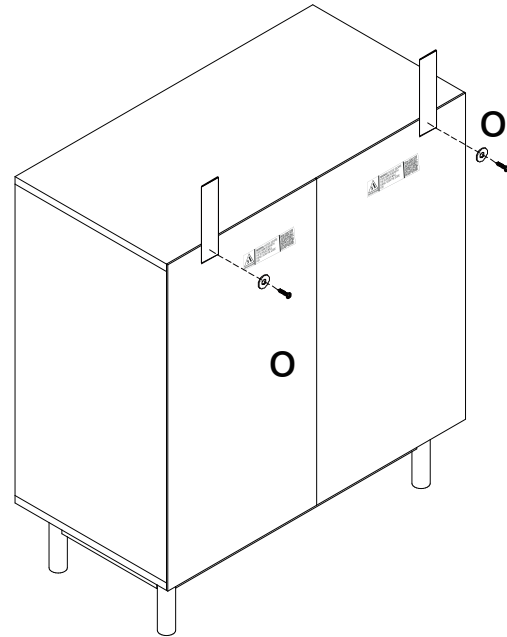
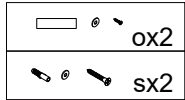


Make sure button and wheel are stuck in the slot, avoid the door falling

step 14



step 15



USER INSTRUCTION FOR WALL ANCHOR:
 IT IS STRONGLY RECOMMENDED THAT THIS PRODUCT IS PERMANENTLY FIXED TO THE WALL. PLEASE SEEK PROFESSIONAL ADVICE IF YOU ARE IN DOUBT OF WHAT FIXING DEVICE TO USE. REGULARLY CHECK THAT ANCHORS ARE SECURELY MAINTAINED. CAUTION: FOR YOUR SAFETY WHEN ATTACHING THE ANCHOR FIXINGS, PLEASE NOTE THE FOLLOWING: CHECK ANY ELECTRICAL WIRES OR PLUMBING INSIDE THE WALL BEFORE DRILLING ANY HOLES (IF YOU ARE UNSURE PLEASE SEEK PROFESSIONAL ADVICE FROM A QUALIFIED TRADESPERSON)



WARNING: PLEASE SECURE YOUR FURNITURE WITH THE SUPPLIED WALL FIXING. SCAN THE CODE FOR

