

Assembly Instructions

KC43150618 OAK LOOK SHORT BOOKSHELF

CARE INSTRUCTIONS:





WIPE CLEAN WITH A SOFT CLOTH. DO NOT USE SCOURERS, ABRASIVE MATERIALS OR CHEMICAL SOLVENTS. CHECK AND TIGHTEN ALL PARTS REGULARLY. STORE IN A DRY PLACE AND KEEP AWAY FROM WATER AND DIRECT SUNLIGHT. FOR INDOOR AND DOMESTIC USE ONLY.


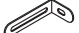



WARNING:


DO NOT STAND OR SIT ON THIS UNIT. DO NOT USE UNTIL ALL SCREWS ARE FIRMLY SECURED. USE ONLY ON A FLAT SURFACE. DO NOT DRAG WHEN MOVING THE PRODUCT TO AVOID DAMAGING THE JOINS. FAILURE TO FOLLOW THESE WARNINGS COULD RESULT IN SERIOUS INJURY.

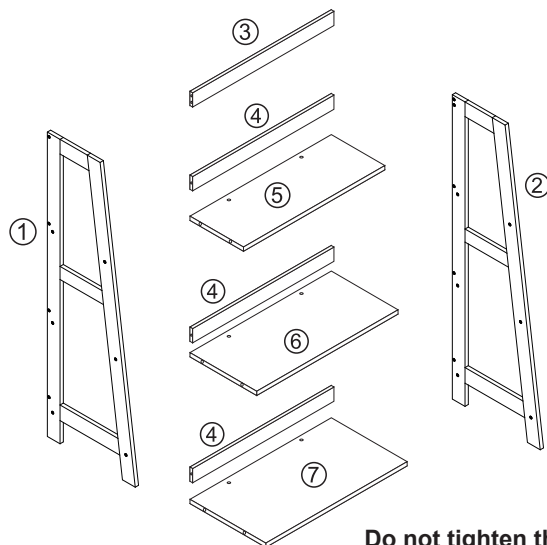
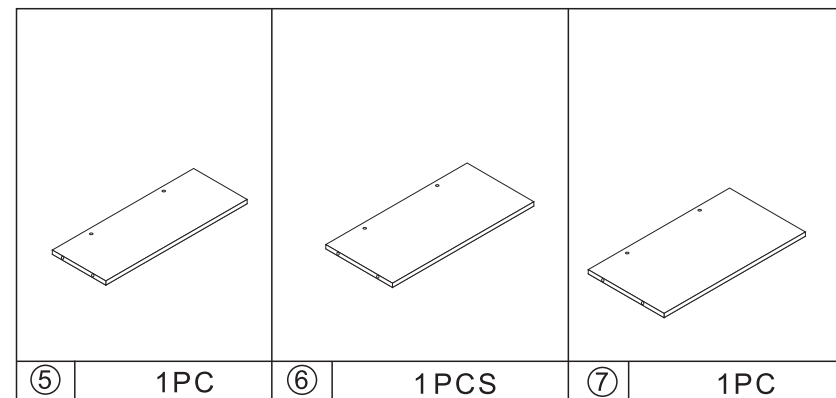
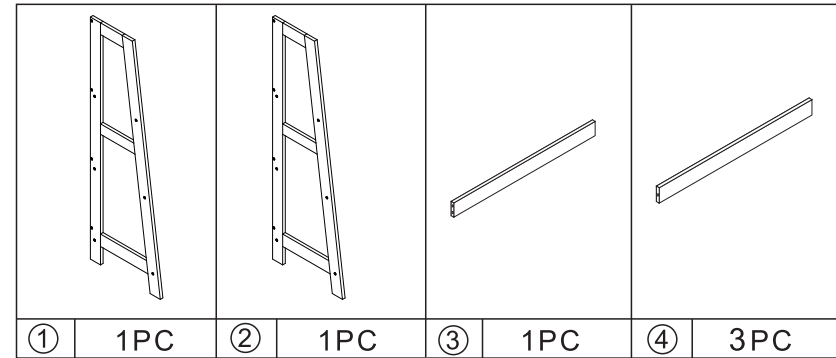
MAXIMUM SAFE LOAD:3KG FOR TOP SHELF, 6KG FOR MIDDLE SHELF, 9KG FOR BOTTOM SHELF.

Hardware list

	a	∅4x35mm	8PCS
	b	∅6x30mm	2PCS
	c		20PCS
	d	∅5x50mm	20PCS

	e	10x10mm	20PCS
	f		2PCS
	g	∅4x12mm	2PCS
	h	∅6x30mm	2PCS
	i		4PCS

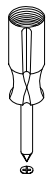
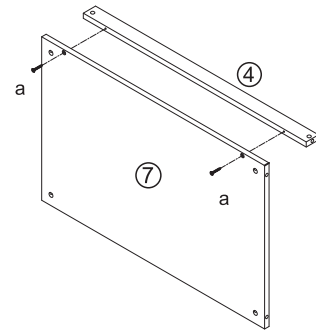
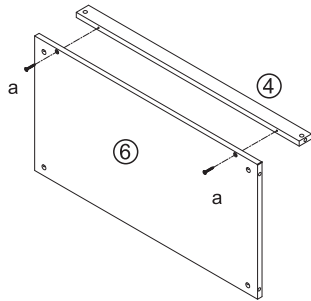
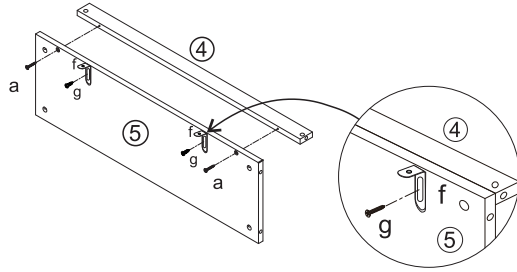
Tools required not provided	
	Philips Head Screw Driver



**Do not tighten the screws fully during assembly.
Fully tighten screws after the final assembly steps**





STEP 1

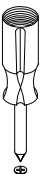
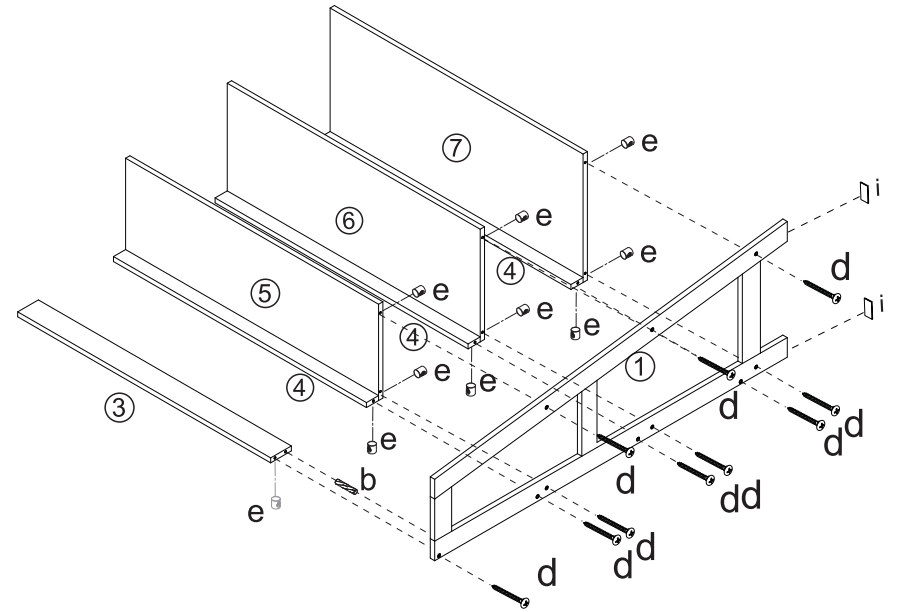
-  ax6
-  fx2
-  gx2



Tool required
Philips Head Screw Driver
(Not Provided)

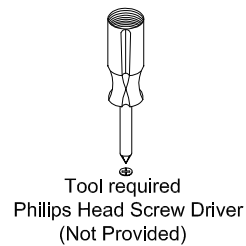
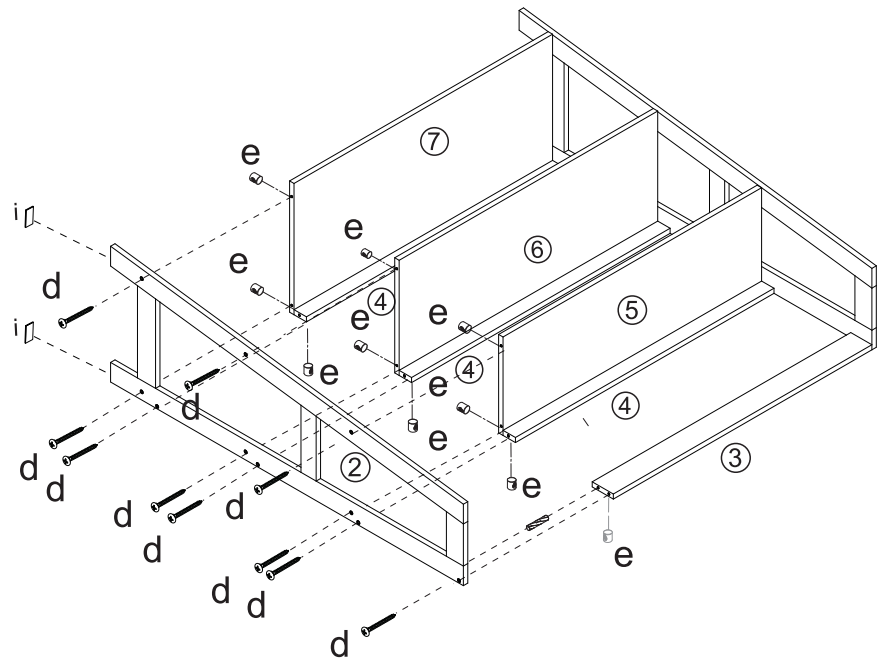
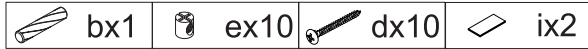
STEP 2

-  bx1
-  ex10
-  dx10
-  ix2

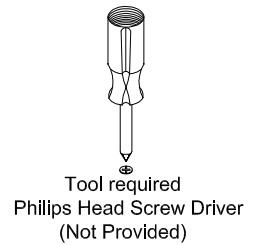
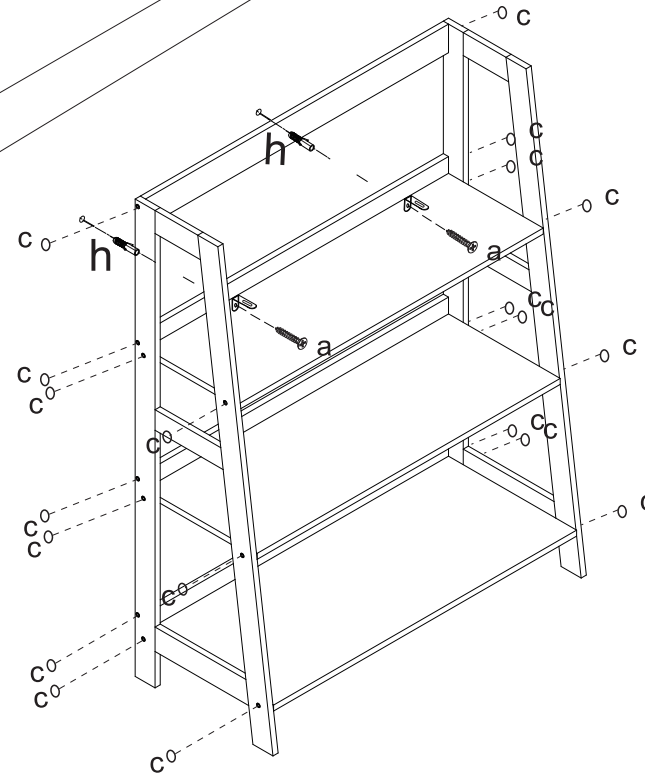


Tool required
Philips Head Screw Driver
(Not Provided)

STEP 3



STEP 4



User instructions should include the wording:

- **It is strongly recommended that this product is permanently fixed to the wall.**
- **Please seek professional advice if you are in doubt of what fixing device to use.**
- **Regularly check that anchors are securely maintained.**
- **Stability of tall items may be affected by thick pile carpet or uneven floors .**
- **Do not place unanchored televisions on furniture .**

CAUTION: for your safety when attaching the anchor fixings, please note the following:

- **Check any electrical wires or plumbing inside the wall before drilling any holes (if you are unsure please seek professional advice from a qualified tradesperson).**



WARNING: PLEASE SECURE YOUR FURNITURE WITH THE SUPPLIED WALL FIXING. SCAN THE CODE FOR MORE INFORMATION.

