

Assembly Instructions

KC43150649 OAK LOOK NARROW BOOKSHELF

CARE INSTRUCTIONS:





WIPE CLEAN WITH A SOFT CLOTH. DO NOT USE SCOURERS, ABRASIVE MATERIALS OR CHEMICAL SOLVENTS. CHECK AND TIGHTEN ALL PARTS REGULARLY. STORE IN A DRY PLACE AND KEEP AWAY FROM WATER AND DIRECT SUNLIGHT. FOR INDOOR AND DOMESTIC USE ONLY.






WARNING:

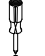
DO NOT STAND OR SIT ON THIS UNIT. DO NOT USE UNTIL ALL SCREWS ARE FIRMLY SECURED. USE ONLY ON A FLAT SURFACE. DO NOT DRAG WHEN MOVING THE PRODUCT TO AVOID DAMAGING THE JOINS. FAILURE TO FOLLOW THESE WARNINGS COULD RESULT IN SERIOUS INJURY.

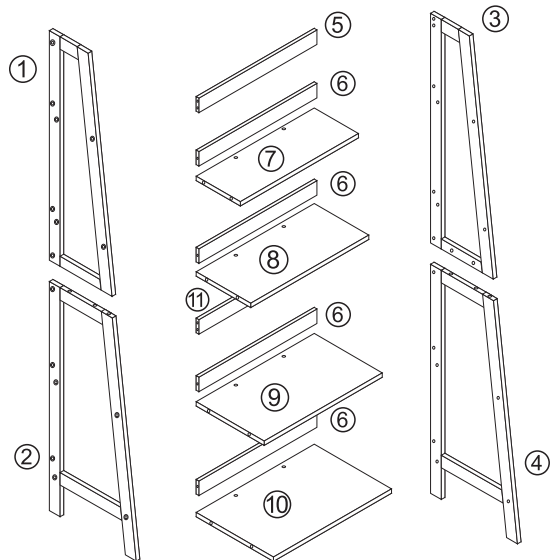
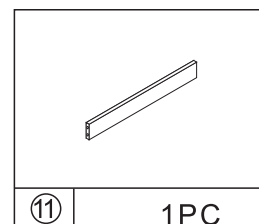
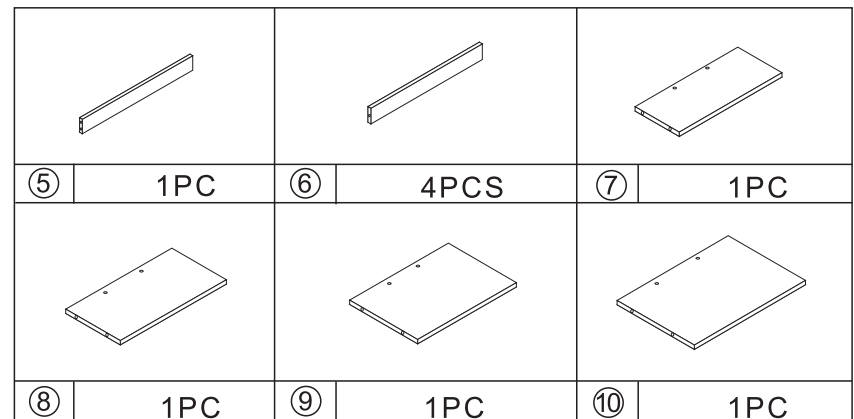
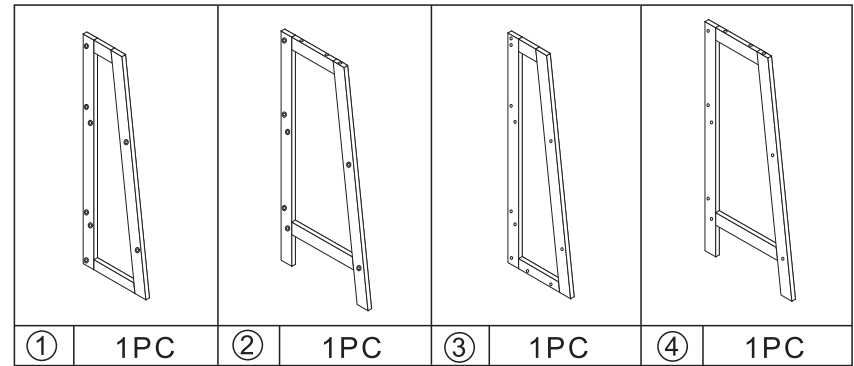
MAXIMUM SAFE LOAD:5KG FOR EACH SHELF.

Hardware list

	a	∅4x35mm	10PCS
	b	∅6x30mm	4PCS
	c		34PCS
	d	∅5x50mm	34PCS

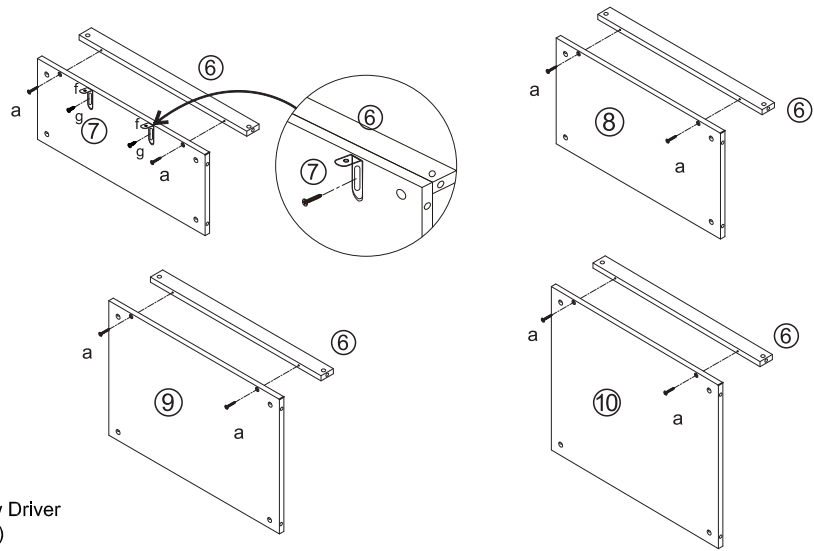
	e	10x10mm	34PCS
	f		2PCS
	g	∅4x12mm	2PCS
	h	∅6x30mm	2PCS
	i		4PCS

Tools required not provided	
	Philips Head Screw Driver



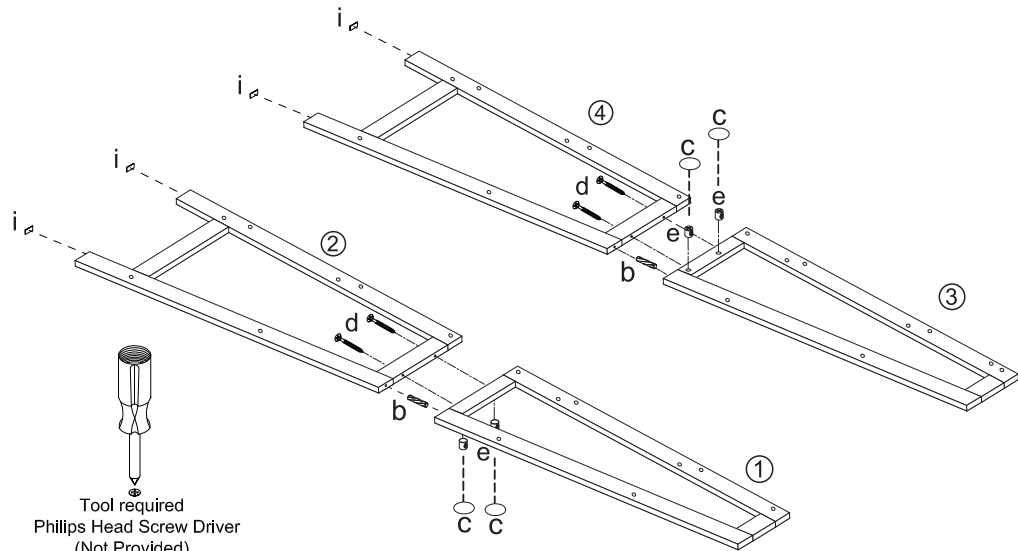
**Do not tighten the screws fully during assembly.
Fully tighten screws after the final assembly steps**

Step 1 ax8 fx2 gx2



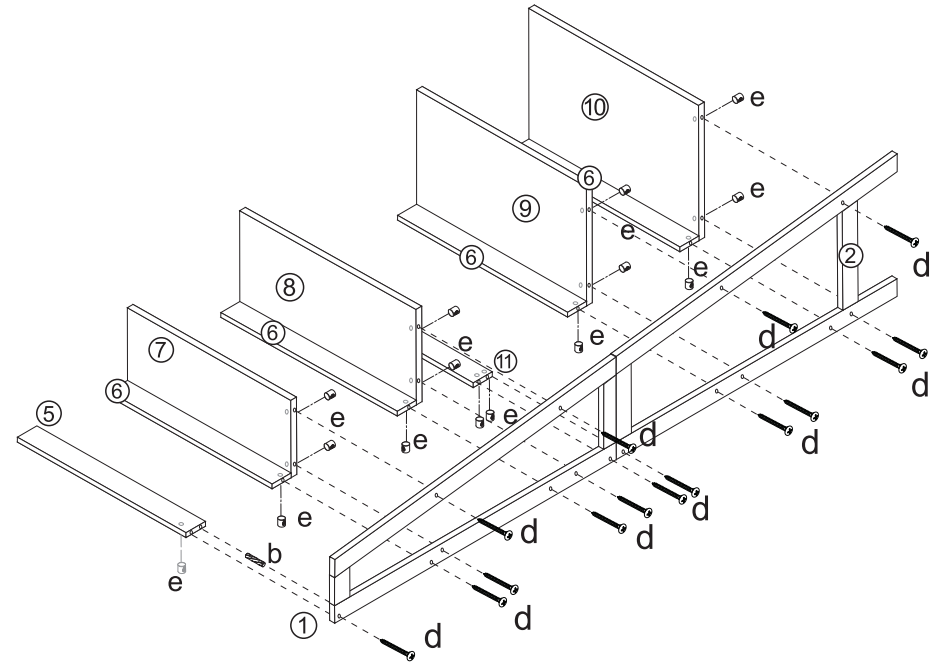
Tool required
Philips Head Screw Driver
(Not Provided)

Step 2 ex4 dx4 bx2 cx4 ix4



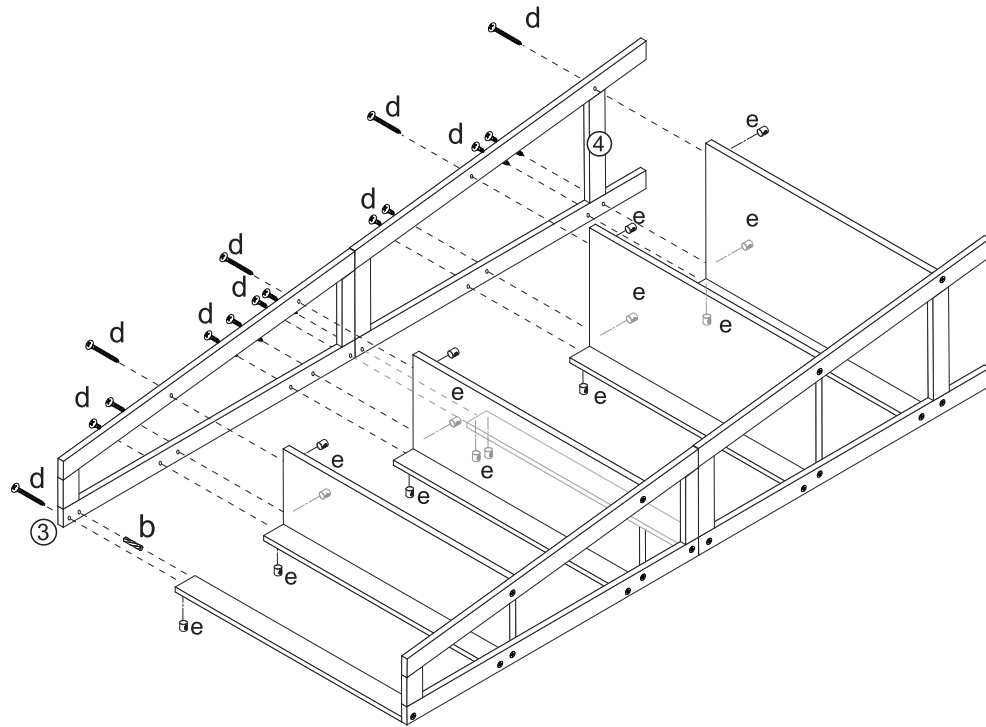
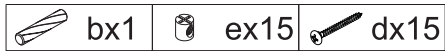
Tool required
Philips Head Screw Driver
(Not Provided)

Step 3 bx1 ex15 dx15



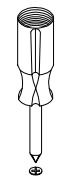
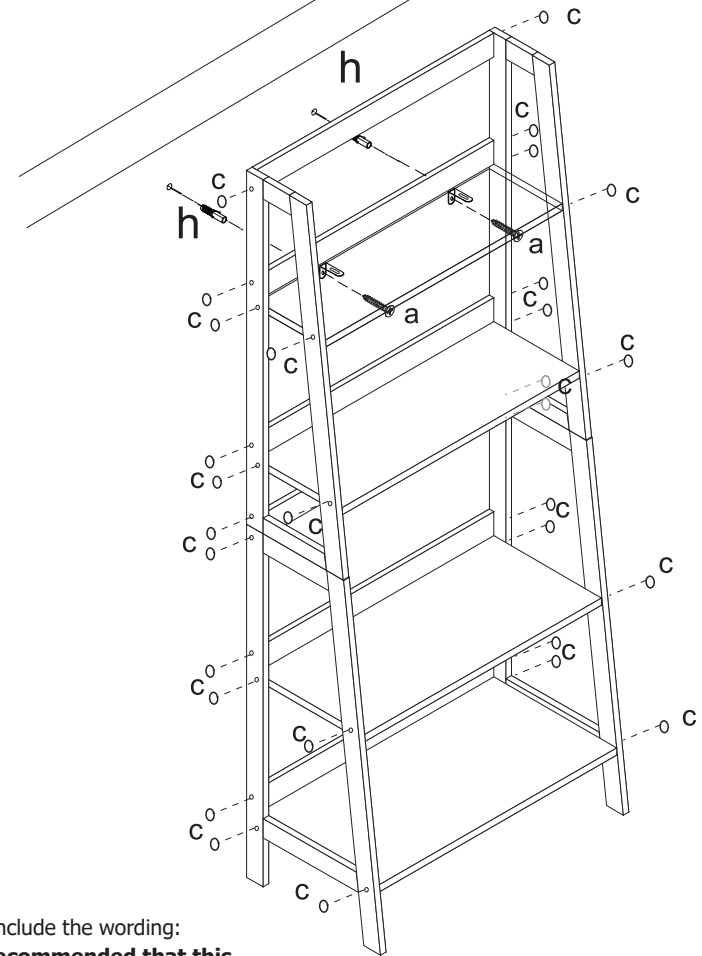
Tool required
Philips Head Screw Driver
(Not Provided)

Step 4



Tool required
Philips Head Screw Driver
(Not Provided)

Step 5



Tool required
Philips Head Screw Driver
(Not Provided)

User instructions should include the wording:

- **It is strongly recommended that this product is permanently fixed to the wall.**
- **Please seek professional advice if you are in doubt of what fixing device to use.**
- **Regularly check that anchors are securely maintained.**
- **Stability of tall items may be affected by thick pile carpet or uneven floors .**
- **Do not place unanchored televisions on furniture .**

CAUTION: for your safety when attaching the anchor fixings, please note the following:

- **Check any electrical wires or plumbing inside the wall before drilling any holes (if you are unsure please seek professional advice from a qualified tradesperson).**



WARNING: PLEASE SECURE YOUR FURNITURE WITH THE SUPPLIED WALL FIXING. SCAN THE CODE FOR MORE INFORMATION.

