

# Assembly Instructions

## KC43150700 OAK LOOK CORNER BOOKSHELF

### CARE INSTRUCTIONS:










WIPE CLEAN WITH A SOFT CLOTH. DO NOT USE SCOURERS, ABRASIVE MATERIALS OR CHEMICAL SOLVENTS. CHECK AND TIGHTEN ALL PARTS REGULARLY. STORE IN A DRY PLACE AND KEEP AWAY FROM WATER AND DIRECT SUNLIGHT. FOR INDOOR AND DOMESTIC USE ONLY.

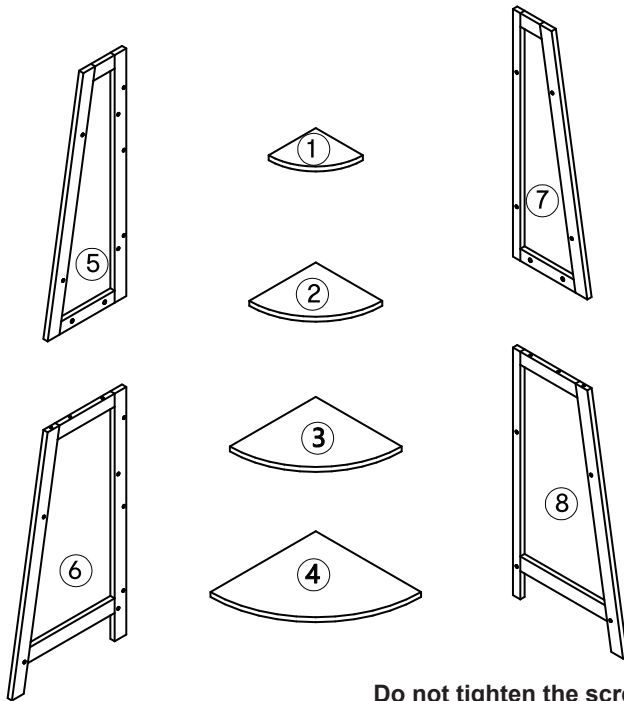
### WARNING:

DO NOT STAND OR SIT ON THIS UNIT. DO NOT USE UNTIL ALL SCREWS ARE FIRMLY SECURED. USE ONLY ON A FLAT SURFACE. DO NOT DRAG WHEN MOVING THE PRODUCT TO AVOID DAMAGING THE JOINS. FAILURE TO FOLLOW THESE WARNINGS COULD RESULT IN SERIOUS INJURY.

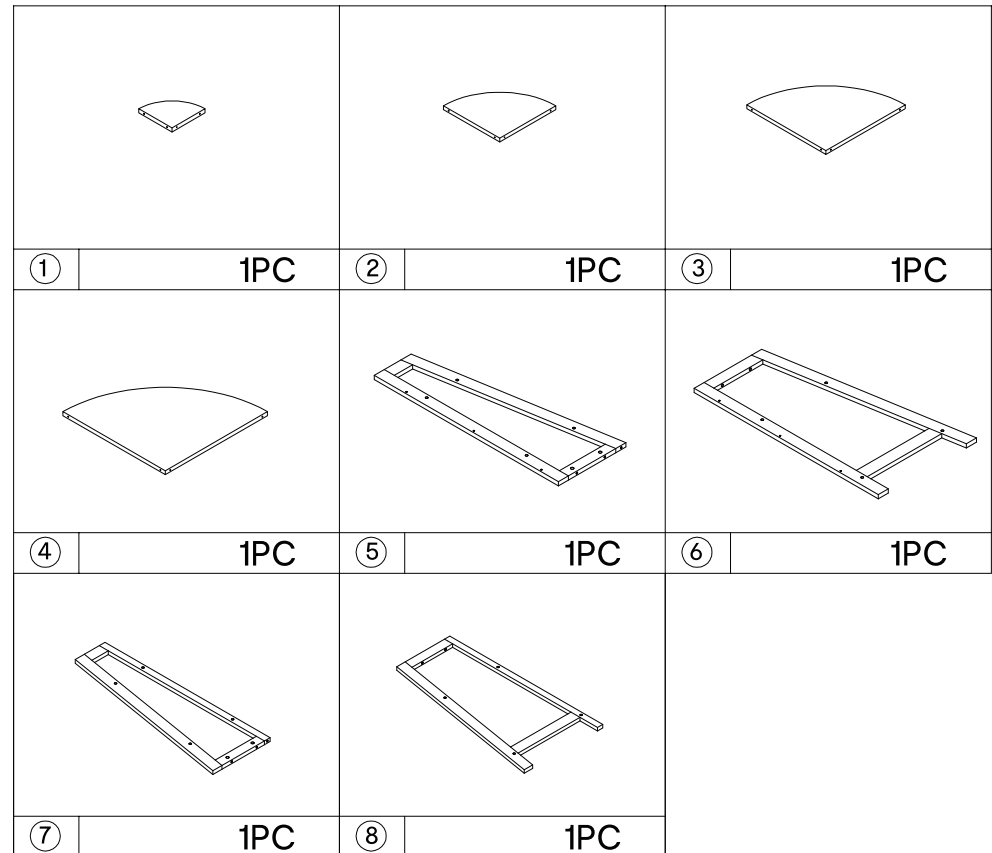
**MAXIMUM SAFE LOAD:2KG/3KG/4KG/5KG FER LAYER.**






### Hardware list

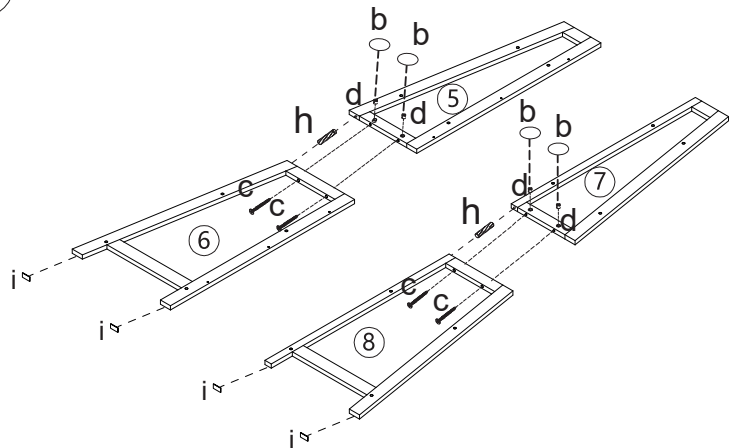
	<b>a</b>	4x35mm	23pcs		<b>f</b>	4x10mm	1 pc
	<b>b</b>		27pcs		<b>g</b>	6x30mm	1 pc
	<b>c</b>	4x50mm	4pcs		<b>h</b>	6x30mm	2pcs
	<b>d</b>	9x9mm	4pcs		<b>i</b>		4PCS
	<b>e</b>		1 pc				





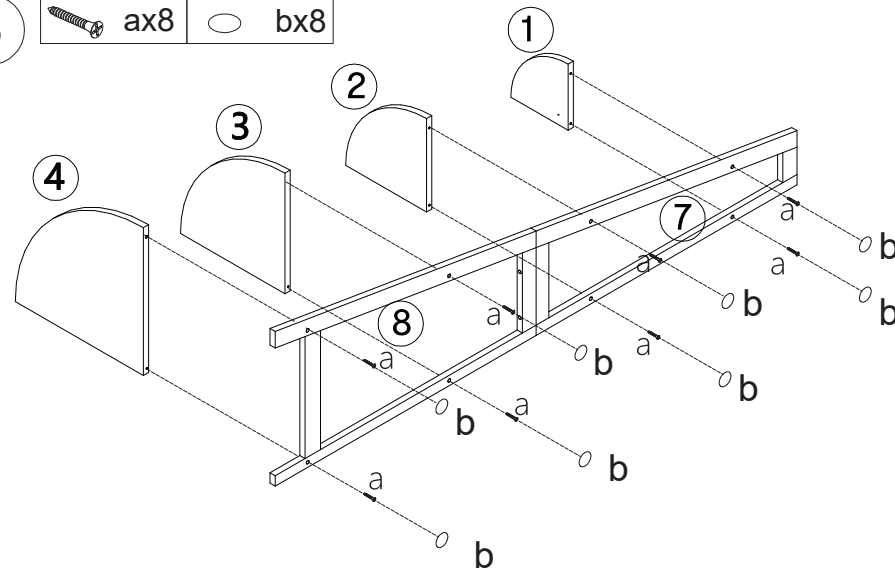
Do not tighten the screws fully during assembly.  
Fully tighten screws after the final assembly steps





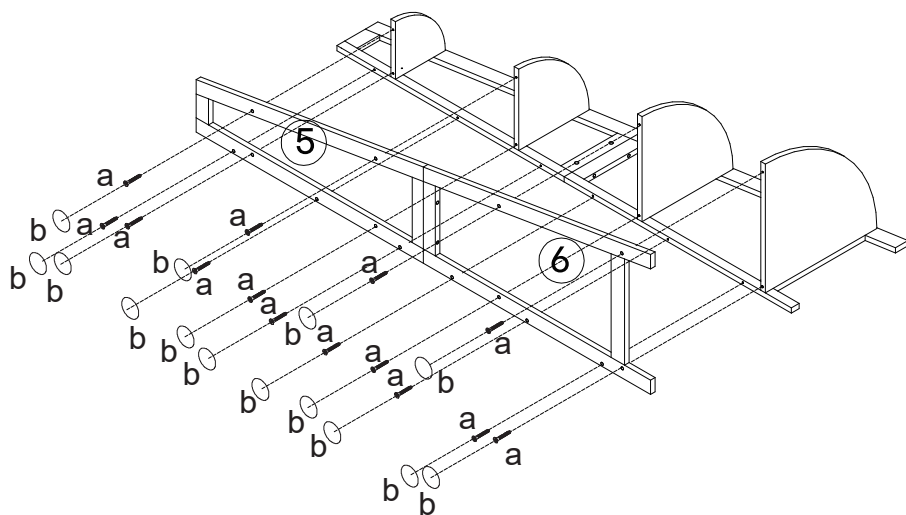
4  cx4  bx4  dx4  hx2  ix4







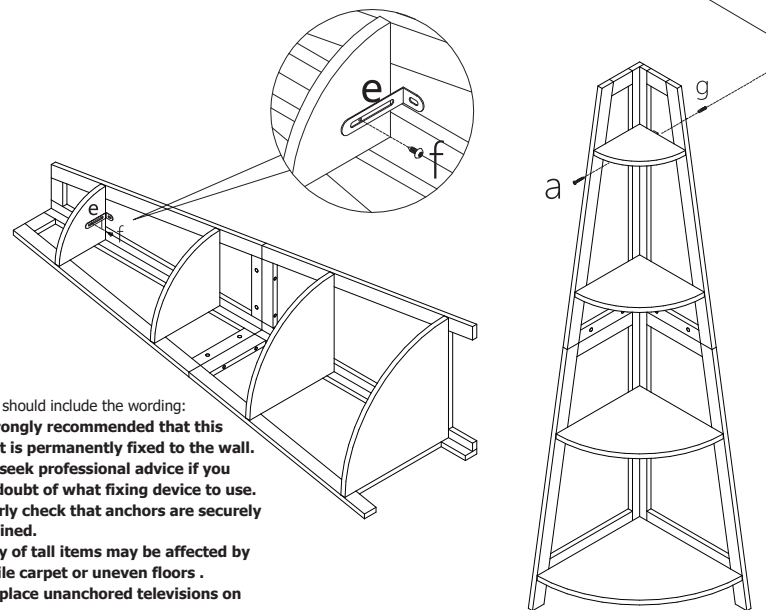
5  ax8  bx8



6  ax14  bx14



7  ax1  ex1  fx1  gx1



User instructions should include the wording:

- It is strongly recommended that this product is permanently fixed to the wall.
- Please seek professional advice if you are in doubt of what fixing device to use.
- Regularly check that anchors are securely maintained.
- Stability of tall items may be affected by thick pile carpet or uneven floors .
- Do not place unanchored televisions on furniture .

**CAUTION:** for your safety when attaching the anchor fixings, please note the following:

- Check any electrical wires or plumbing inside the wall before drilling any holes (if you are unsure please seek professional advice from a qualified tradesperson).



WARNING: PLEASE SECURE YOUR FURNITURE WITH THE SUPPLIED WALL FIXING. SCAN THE CODE FOR MORE INFORMATION.

